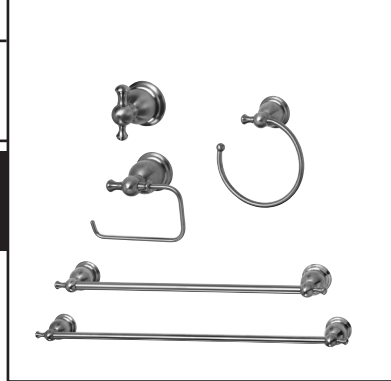


Specifications



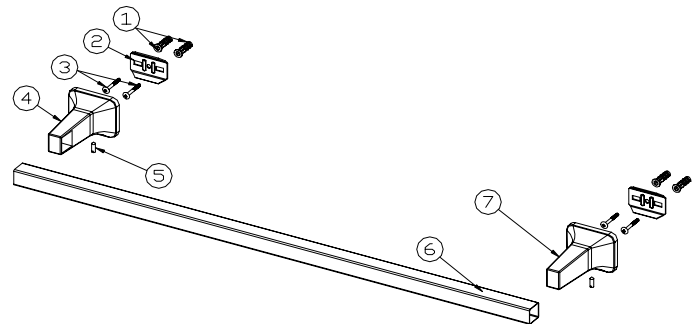
Physical Characteristics

- Description: Bath accessories
- Concealed mounting
- Zinc and aluminum construction
- Quick and easy installation

- 50-10000** – Chrome Robe Hook
- 50-15000** – Chrome Paper Holder
- 50-17000** – Chrome Towel Ring
- 50-18000** – Chrome 18" Towel Bar
- 50-24000** – Chrome 24" Towel Bar
- 50-10000-BN** – PVD Brushed Nickel Robe Hook
- 50-15000-BN** – PVD Brushed Nickel Paper Holder
- 50-17000-BN** – PVD Brushed Nickel Towel Ring
- 50-18000-BN** – PVD Brushed Nickel 18" Towel Bar
- 50-24000-BN** – PVD Brushed Nickel 24" Towel Bar

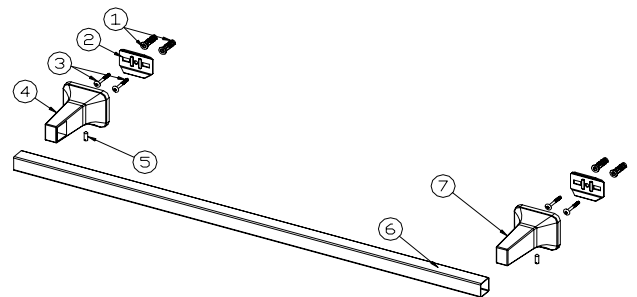
24" Towel Bar

No.	Part Description	Material
1	Mounting package	Steel
2		
3		
4	Towel bar post (left)	Zinc
5	Set screw	Steel
6	24" towel bar	Aluminum
7	Towel bar post (right)	Zinc



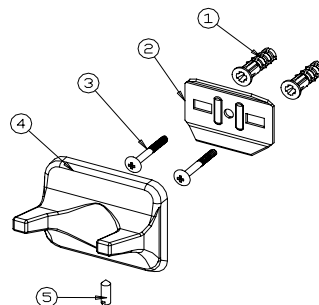
18" Towel Bar

No.	Part Description	Material
1	Mounting package	Steel
2		
3		
4	Towel bar post (left)	Zinc
5	Set screw	Steel
6	18" towel bar	Aluminum
7	Towel bar post (right)	Zinc



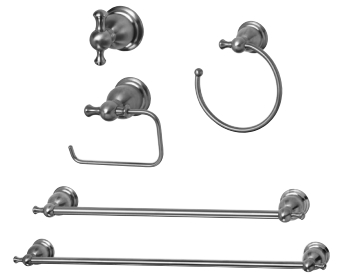
Robe Hook

No.	Part Description	Material
1	Mounting package	Steel
2		
3		
4	Robe hook	Zinc
5	Set screw	Steel



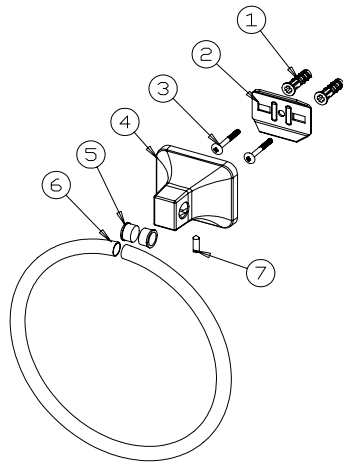
*Images may vary slightly from actual product

Specifications



Towel Ring

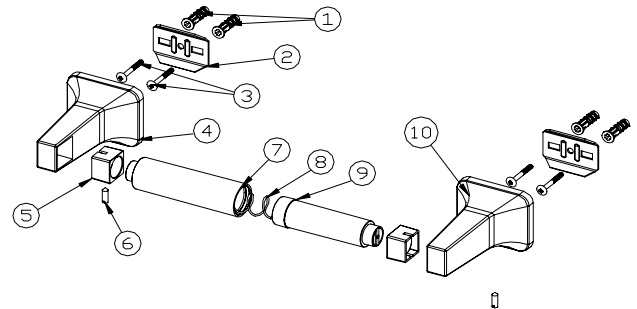
No.	Part Description	Material
1	Mounting package	Steel
2		
3		
4	Towel ring post	Zinc
5	Jacket	PE
6	Towel ring	Aluminum
7	Set screw	Steel



- 50-10000** – Chrome Robe Hook
- 50-15000** – Chrome Paper Holder
- 50-17000** – Chrome Towel Ring
- 50-18000** – Chrome 18" Towel Bar
- 50-24000** – Chrome 24" Towel Bar
- 50-10000-BN** – PVD Brushed Nickel Robe Hook
- 50-15000-BN** – PVD Brushed Nickel Paper Holder
- 50-17000-BN** – PVD Brushed Nickel Towel Ring
- 50-18000-BN** – PVD Brushed Nickel 18" Towel Bar
- 50-24000-BN** – PVD Brushed Nickel 24" Towel Bar

Paper Holder

No.	Part Description	Material
1	Mounting package	Steel
2		
3		
4	Paper holder bar post (left)	Zinc
5	Jacket	PE
6	Set screw	Steel
7	Tissue tube	PP
8		
9		
10	Paper holder bar post (right)	Zinc



*Images may vary slightly from actual product