

OWNERS MANUAL & INSTALLATION INSTRUCTIONS

Congratulations on your new bathtub purchase!

PURESCAPE 315

Please read carefully and follow all instructions according to this document before starting the installation of your bathtub. Additionally, you should refer to these instructions during the lifecycle of your bathtub.

Upon receipt, immediately inspect the bathtub to make sure the unit has shipped as ordered and has arrived undamaged. If a problem is discovered, call your Aquatica or Aquatica dealer immediately.

Damages caused by mishandling of the product or during the installation are not covered under the warranty.

Installation instructions

Only a qualified professional should be installing your bathtub.

Preparation of area

Since you must have unrestricted access to the bath front panel during the product installation as well as during the product use, it is important to choose the most appropriate area where to install the bathtub so that access and continuous access for maintenance purposes is possible.

Prepare the floor and walls before proceeding with the installation. The corner in which the tub will be installed, as well as the walls must be in straight angle against to floor to avoid possible gaps between tub and wall.

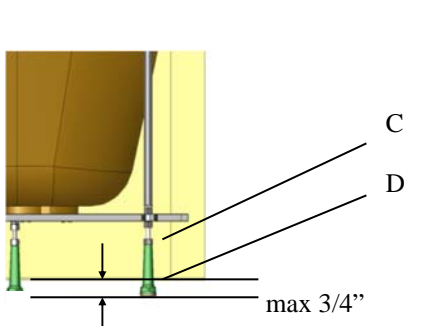
The area under the tub must be at the same level as the rest of the floor.

All plumbing hookups should fit in between bathtub and its legs (see the drawing below).

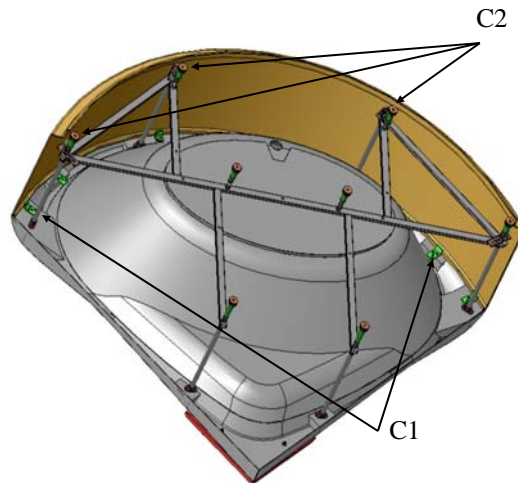
The center of drain is indicated in the drawing.

In case the bath fillers are installed on the bath deck, hot and cold water supply lines with ½" threads must be arranged under the deck.

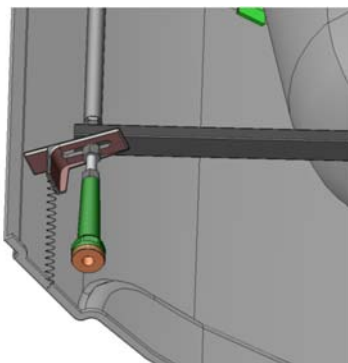
All the models of Aquatica corner tubs could be installed as built-in bathtubs (aka drop-in bathtubs) without the front panel. For built-in installation you should plan for access panel to access the waste connections.



Drawing #1



Drawing #2



Drawing #3

Installation procedure

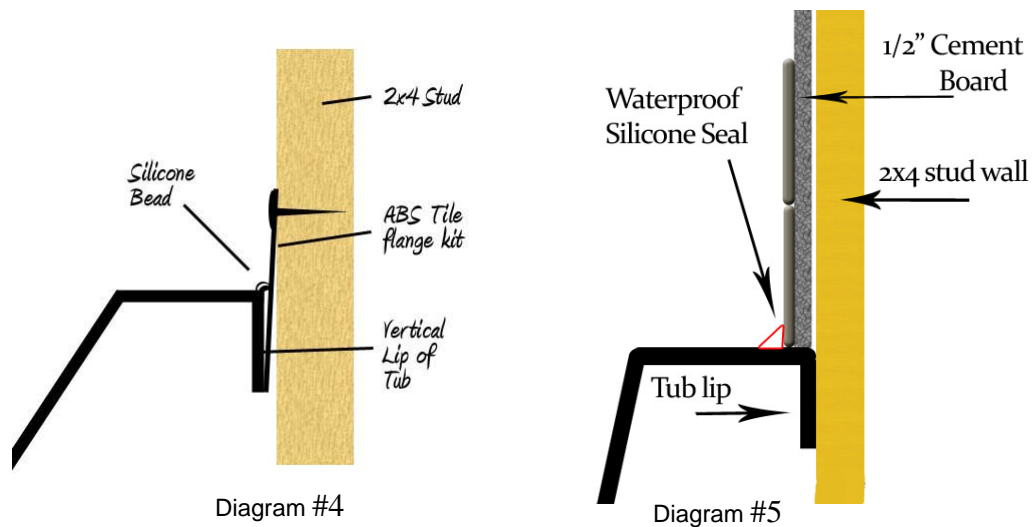
Once the bath installation location along with the supply and waste lines is prepared, bathtub is ready for installation.

1. Adjust the height of the tub using the height adjustable feet (drawing #1);

- Loosen the nut C,
- Adjust the height of the feet D.
- Fix the feet D and fasten the nut C.

2. Install the bathtub against the wall.

- Use the alcove method to mount the bathtub against the wall. To achieve this, you will need to purchase an ABS tile flange kit from a 3rd party supplier. The advantage of alcove installations is that it allows for any splashed water to fall back into the tub, and not sit on your decking around the tub.
- The ABS tile flange kit consists of a thick sheet of ABS plastic that is riveted to the vertical lip of the bathtub. This ABS sheet sticks up above the top edge of the tub and provides you a flat surface to lay tile over.



- Tack the ABS tile flange to your studs as shown in the diagram #4 above, then run a thin bead of 100% silicone along the seam between the ABS tile flange and the edge of the tub. This will create a waterproof seal.
- Once you have the tile flange fastened to the studs, and the gap between the flange and the tub sealed, its time to install your cement board. Please refer to Diagram #5.
- The tile flange allows you to put your cement board right over the flange so its meets up with the edge of the top.
- Place a bead of a waterproof silicone sealant between the tub edge and the bottom of your cement board, and you're ready to tile!
- Tile right down to the tub, and you've just successfully completed the alcove installation of your bathtub! Use waterproof 100% silicone, not latex silicone, and use a waterproof grout on your tile.

3. Install the front panel:

- Use springs and angled brackets for front panels' fixation to the tub (Drawing #2).
- Fasten the lower edge of the panel with springs to the frame (Drawing #2).
- Upper edge put between angled brackets and tub's body (position C1).

The distance between front panel and the floor should be less than 3/4".

Bathtub cleaning and maintenance

- Clean the tub after using with soft cloth, in case of necessity use sanitary cleaning liquid (such as Cillit, Ajax).
- Avoid abrasive, acid and alkaline cleaners!
- Avoid the contact with hot objects (such as cigarettes, hairdryer, all kind of candles and others with temperature more than +85°C) and open flame with the bathtub's surface.
- Avoid contact of the following substances with the tub's surface:
Silicone oils, spirits (over 30%), all-purpose adhesives, sprayers, inapplicable sanitary cleaners and disinfectants, hydrogen peroxide, pesticides dissolved in water, derv, acrylic paints and varnishes, acetic acid up to 25%, and any other active chemical substances.
- Exclude the tub's surface contact with the following substances:
- Sealing compounds on acrylic and polyurethane base, camphor, nail varnish and remover of nail varnish, foam plastic, PVC and rubber in plastic condition, concentrated methyl alcohol, stain removers, iodine tincture, gasoline, solvents, nitrocellulose varnish, concentrated acetic acid, acetone, liquid ammonia, chlorine, ether, high acids.
- Avoid mechanical damages of unit – hard impacts and scratches.
- Always first fill up the tub with the cold water and only then with hot water.
- In case water mixer is leaking or damaged, fix or change it immediately.

For more detailed information contact Aquatica.

Warranties

All Aquatica bathtubs are supplied with standard 5 year limited warranty. For more detailed warranty information please refer to our Limited Warranty Document.

Aquatica reserves the right to discontinue or change models, colors and design specifications without prior notice and without incurring of any obligations.