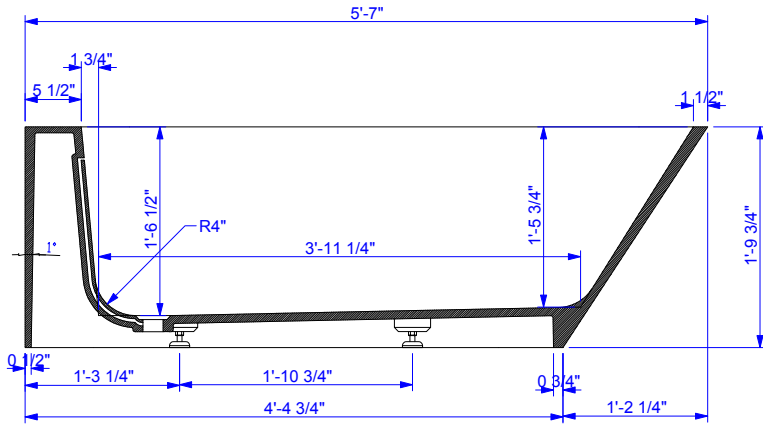
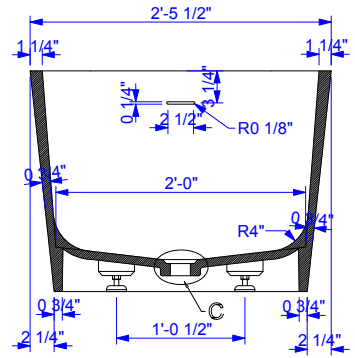


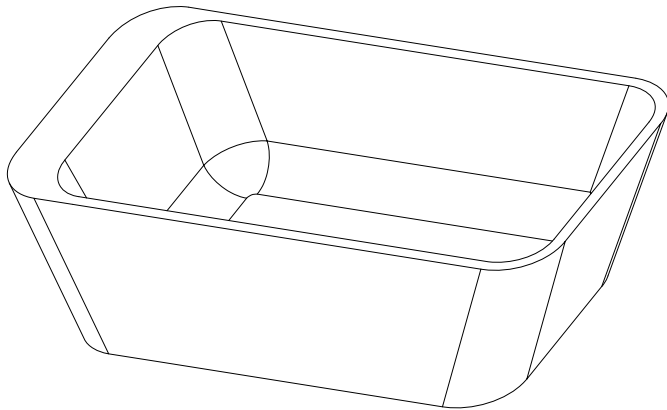
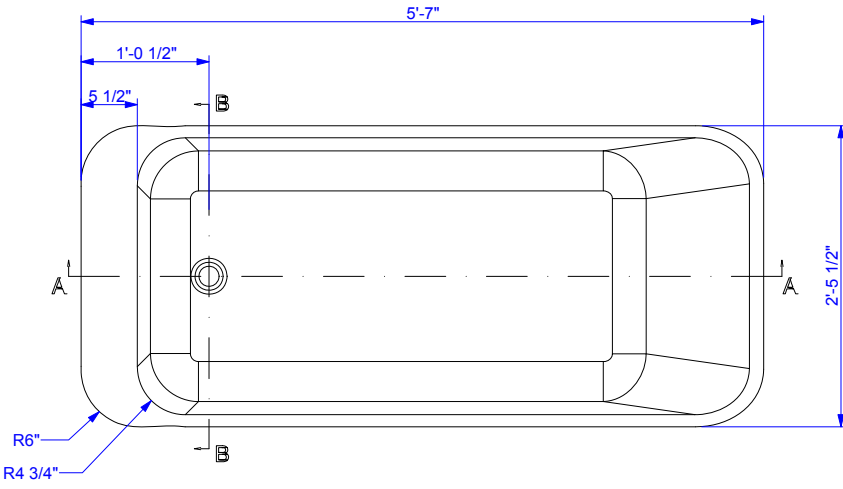
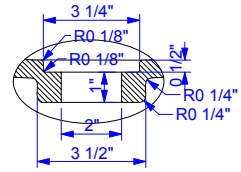
A-A



B-B



C



DRAWN YURIY TYMOCHKO	31.05.2012	aquatica PLUMBING TITLE PURESCAPE 746		REV	
CHECKED				SIZE C	DWG NO
QA				SCALE	
APPROVED				SHEET 1 OF 1	