

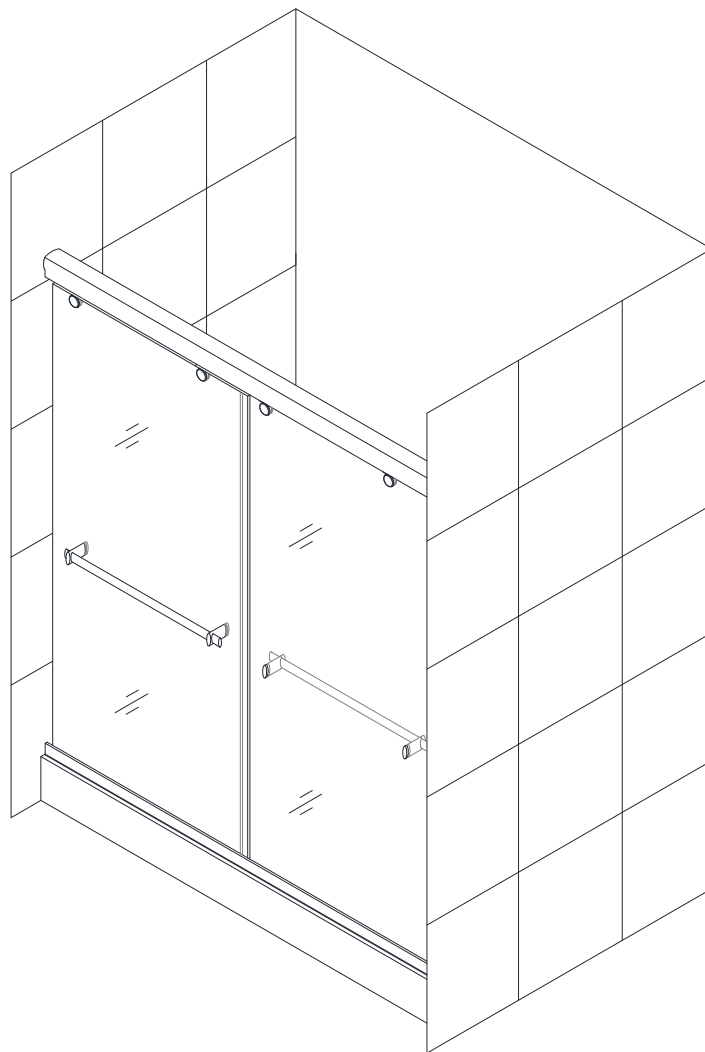


CHARISMA

SHOWER DOOR INSTALLATION INSTRUCTIONS

IMPORTANT

DreamLine™ reserves the right to alter, modify or redesign products at any time without prior notice. For the latest up-to-date technical drawings, manuals or any other details please refer to the support.bathauthority.com web page.



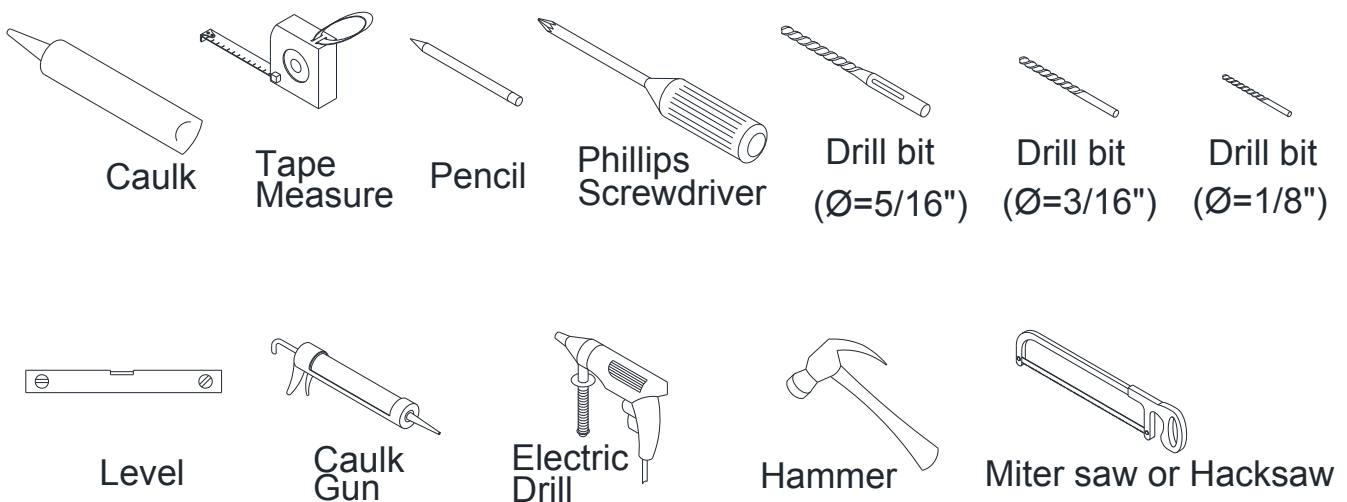
Please carefully read the instructions before installing. If you have any questions regarding installation, please call our technical support specialists Monday through Friday 9:00 AM – 5:00 PM EST at 1-866-731-8378, ext. 3 or e-mail our technical support group at support@BathAuthority.com.

For more information on [DreamLine™ Shower Doors](http://www.BathAuthority.com) please visit www.BathAuthority.com

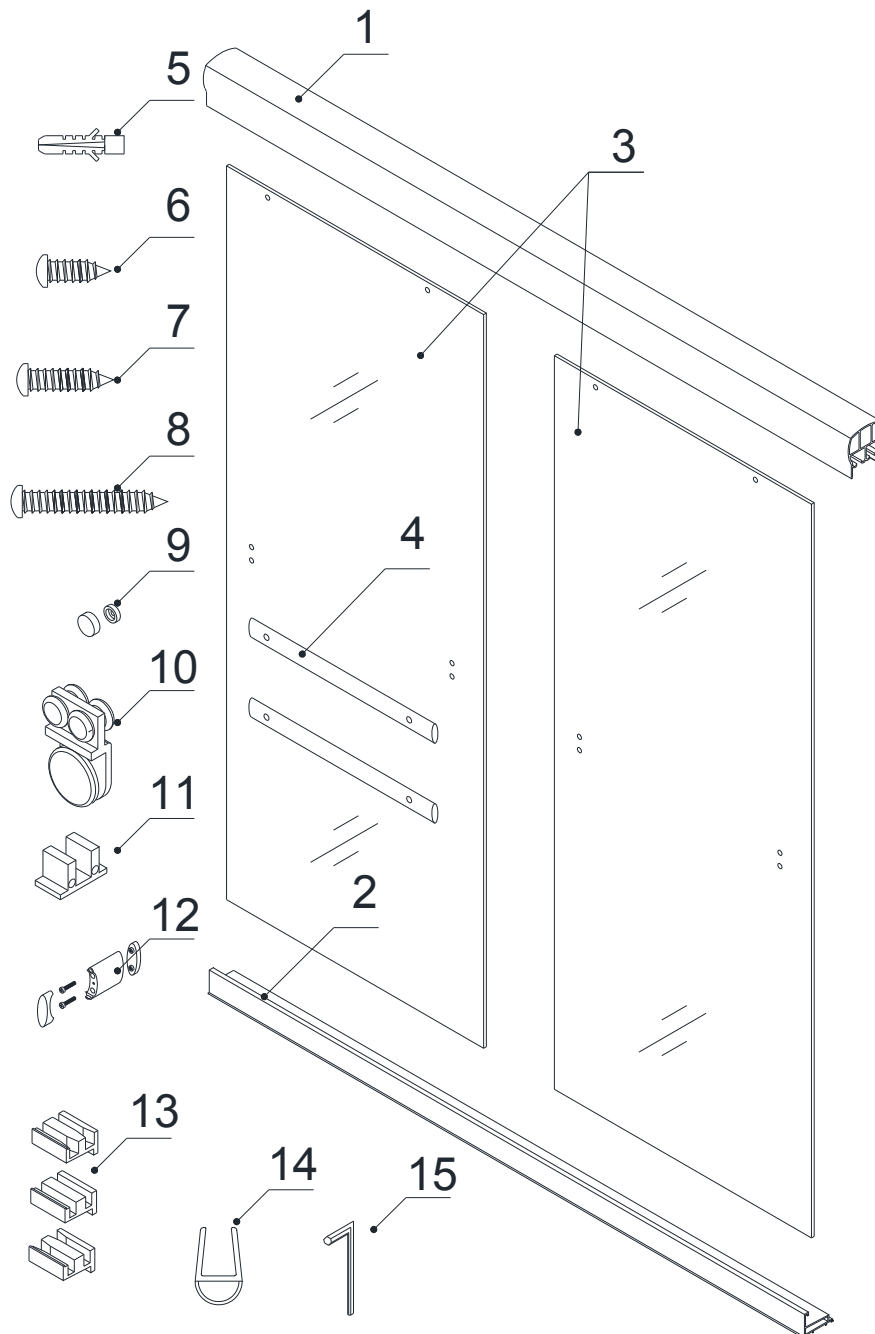
Preparation

1. After opening all boxes and packages, read this introduction carefully. Check that all of the needed parts are included in the package, by marking all the components on the "Detailed Diagram of Shower Door Components". Examine boxes and packages for shipping damage. If the unit has been damaged, has a finishing defect, or has missing parts, please contact our customer support department within 3 business days of the delivery date. Please note that **DreamLine™ will not replace any damaged products or missing parts free of charge after 3 business days or if the product has been installed.** Feel free to contact DreamLine™ if you have any questions.
2. If this unit is going to be installed in a new construction, please, install all of the required plumbing and drainage before installing the shower. **Use a competent and licensed (if required by local code) plumber for all plumbing installation**
3. **Please note that you should consult your local building codes with questions on installation compliance standards. Building and plumbing codes may vary by location, and DreamLine is not responsible for code compliance standards for your project.**
4. Please insure that prior to the installation the installation surface is leveled and solid and will be able to support the total weight of the unit. Also make sure the walls are at right angles. While some adjustment in leveling of the door is possible, irregular installation surface level or improper angle of side walls will result in serious problems for your installation. Please, note that some adjustments and drilling might be necessary during the installation process.
5. **Please, NOTE! This door does not have out-of-plumb adjustment. Make sure your walls are at right angles.**

Tools Required



Detailed Diagram of Shower Door Components



Packing List

01	Guide rail	1pc	09	Decorative cover	8pcs
02	Threshold	1pc	10	Roller assembly	4pcs
03	Glass door	2pcs	11	Guide rail bracket	1set
04	Handle	2pcs	12	Handle bracket	4pcs
05	Wall anchor	4pcs	13	Guide block (left, right, middle)	3pcs
06	Round head screw ST4.2×10	8pcs	14	Bumper strips	4pcs
07	Round head screw ST4.2×25	2pcs	15	4mm hex wrench	1pc
08	Round head screw ST4.2×35	4pcs			

NOTE: Unpack your unit carefully and inspect it. Lay it out and identify all parts using the detailed diagram and packing list in your manual as a reference. Before discarding the carton, check for small hardware bags that tend to fall to the bottom of the box. If any parts are damaged or missing, please contact DreamLine™ for replacement.

Shower Door Installation

1. Measure the distance between the two walls. This distance is marked as "**W**".

See Fig. 1 for details.

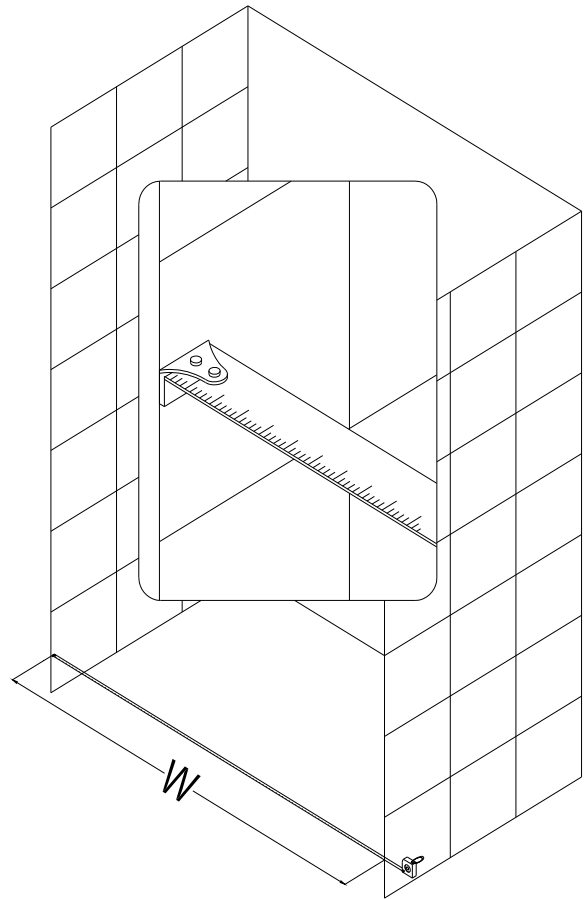


Fig. 1

2. The **Guide rail (01)** and the **Threshold (02)** have been precut for the installation between the walls with a distance of **60"**.

If **W=60"**, then it is unnecessary to cut the **Guide rail** with the **Threshold** and you can continue to Step 3.

If **W<60"**, you will need to cut the **Guide rail** with the **Threshold** from one end to the size of the "**W**".

See Fig. 2 and Fig. 3 for details.

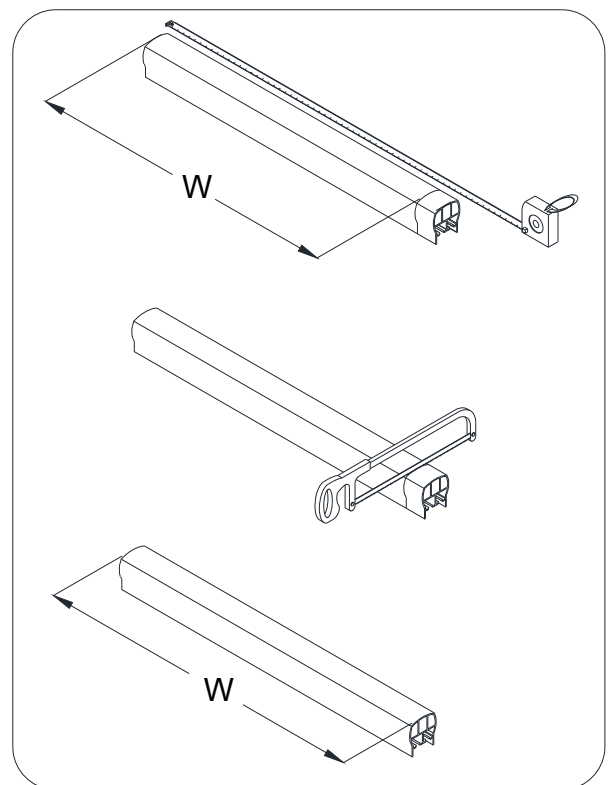


Fig. 2

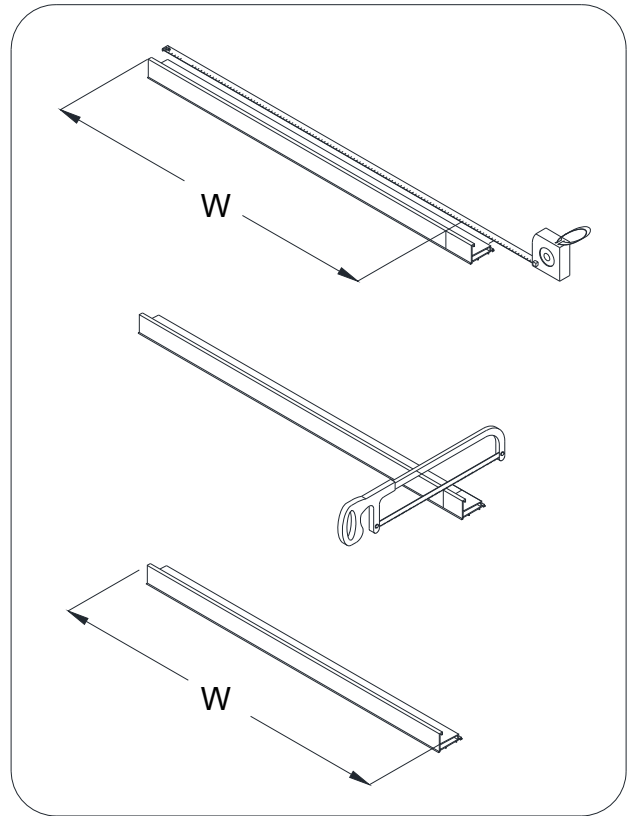


Fig. 3

3. If the **Threshold (02)** has been cut off, the pre-drilled hole may be shifted. In this case you will need to drill another hole. Drill the hole from the top on **1 1/2"** distance away from the end of the **Threshold**.

Drill through both layers of aluminum using the **Ø3/16"** drill bit, and then enlarge the hole of the first layer with the **Ø5/16"** drill bit.

See Fig. 4 for details.

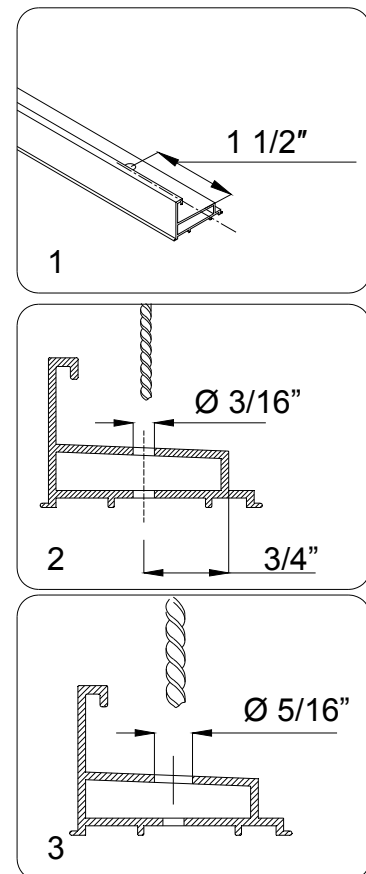


Fig. 4

- Place the **Threshold (02)** in the designated position and parallel it to the front edge of the Shower base. Measure the distance from the front edge of the **Threshold** to the far corner of the wall. This distance is "**X**". Mark the drill holes through the predrilled holes at both ends of the **Threshold**.

See Fig. 5 for details.

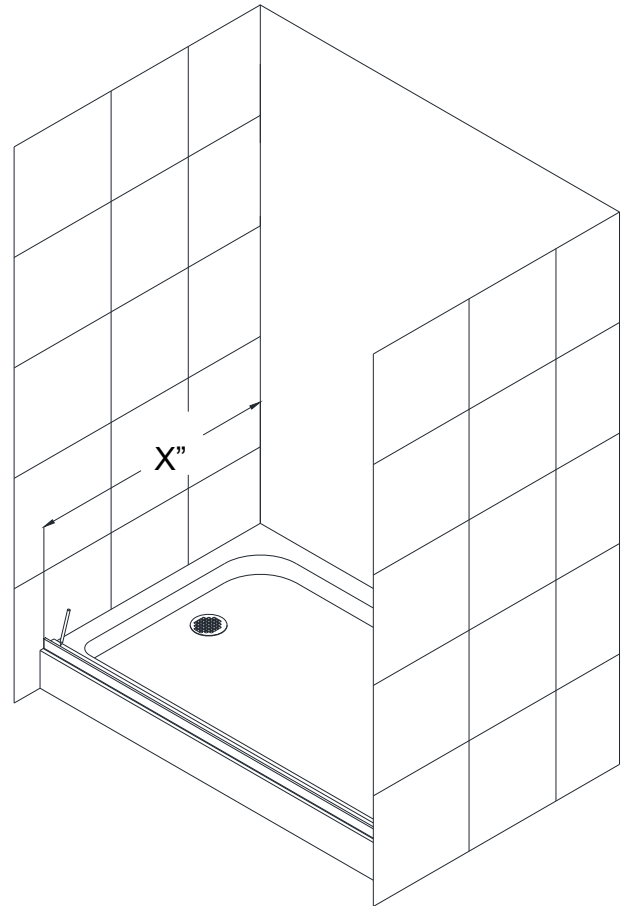


Fig. 5

- Drill the holes in the Shower base using $\text{Ø } 1/8''$ drill bit. Apply a layer of caulk or silicone to the bottom side of the **Threshold (02)** and secure it to the Shower base with the **Round head screw ST4.2×25mm (07)**. Cover the screw holes with the **Decorative covers (09)**.

See Fig. 6 for details.

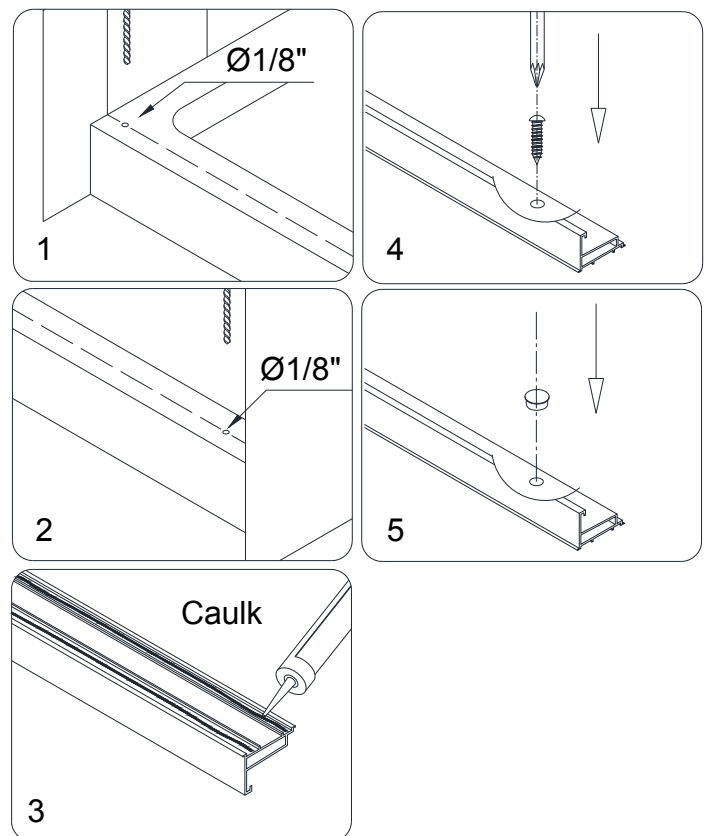


Fig. 6

- Take a measurement of the distance from the bottom end of the **Threshold (02)** to the bottom surface of the **Guide rail bracket (11)**.

This distance is $69\frac{1}{4}$ ".

See Fig. 7 for details.

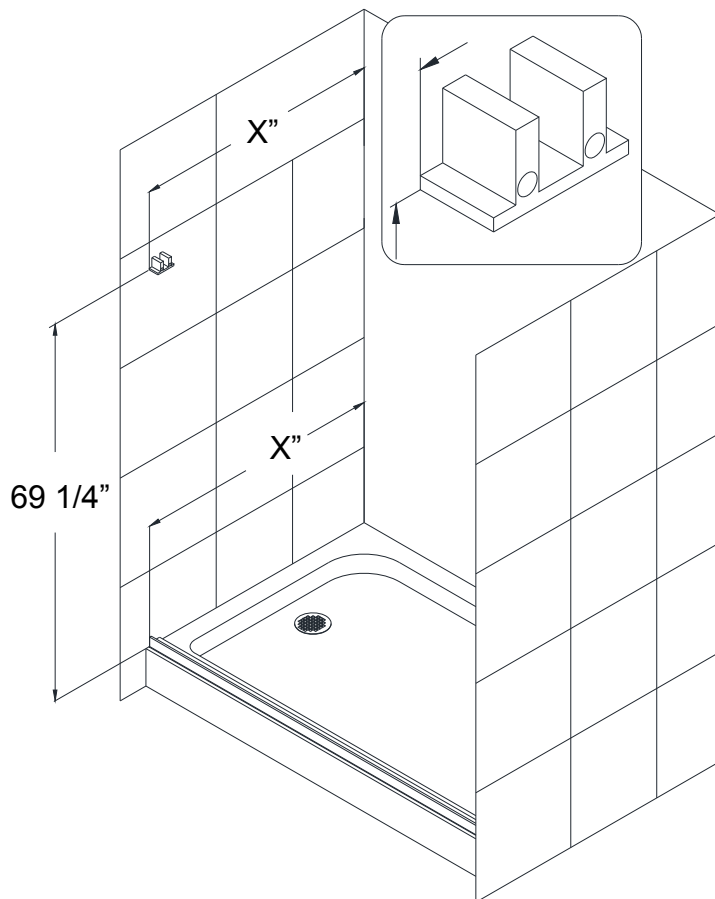


Fig. 7

- Mark the drill holes on the wall using the **Guide rail bracket (11)**.

Drill the holes using $\text{Ø } 5/16$ " drill bit, insert the **Wall anchors (05)** and secure the **Guide rail bracket** to the wall with the **Round head screw ST4.2×35(08)**.

See Fig. 8 for details.

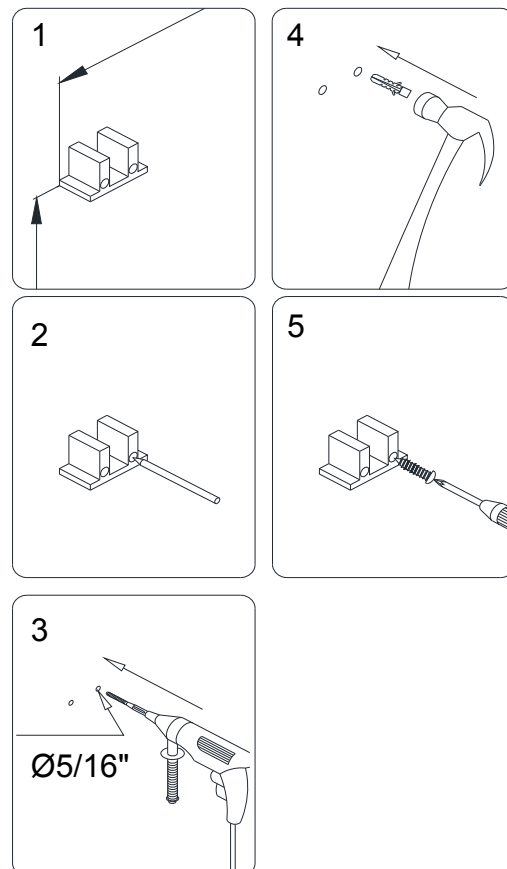


Fig. 8

8. Repeat Step #6 and Step #7 to mount the second **Guide rail bracket (11)** to the opposite wall.

See Fig. 9 for details.

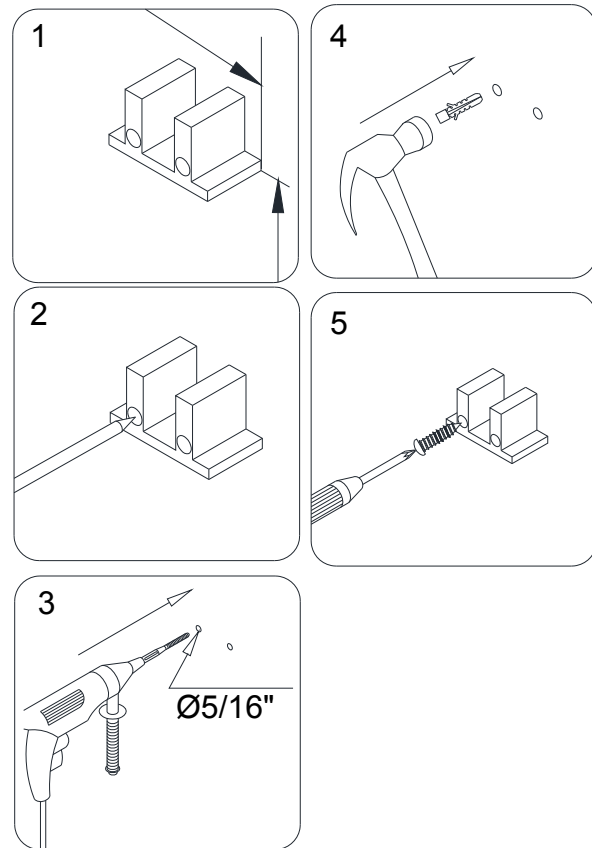
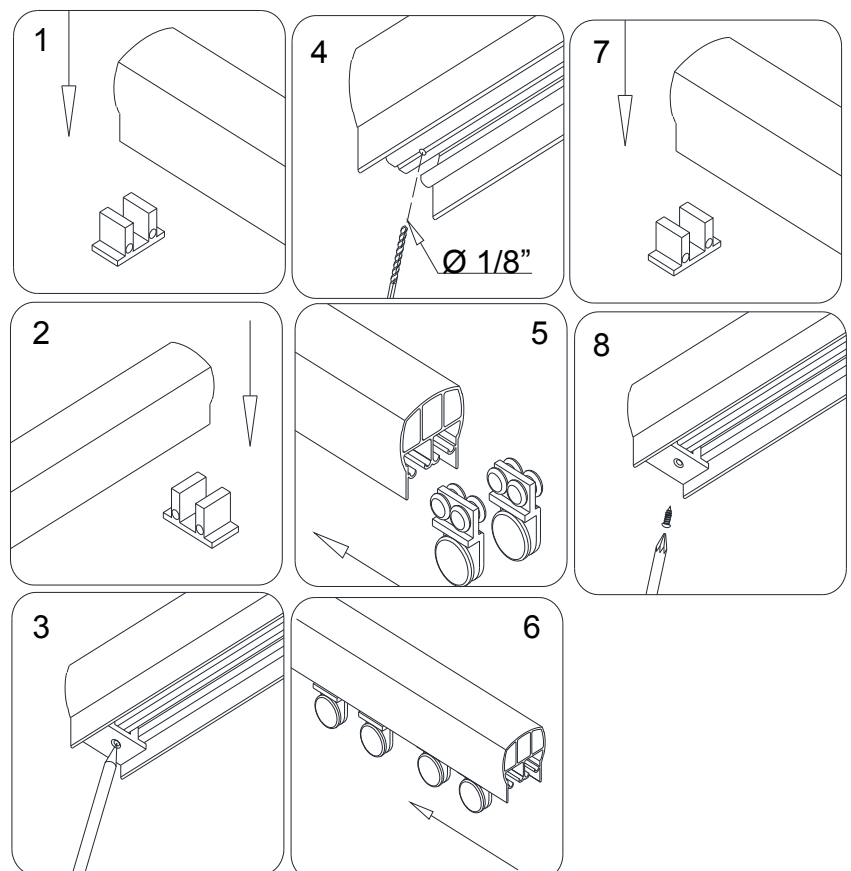


Fig. 9

9. Bring the **Guide rail (01)** over the top of the **Guide rail brackets (11)** and lock them together.

Mark the drill holes in the **Guide rail** through the holes in the middle of the bracket. Remove the **Guide rail** and drill the holes using $\text{Ø } 1/8''$ drill bit. Slide the **Roller assemblies (10)** into the channel of the **Guide rail**. (Two rollers in each slot).

Pay attention to the direction of the **Roller assemblies** (they all should face the same direction as shown on Figure 10, image 5-6)



Place the **Guide rail** back into the designated position and fasten the **Guide rail** to the **Guide rail bracket** with the **Round head screw ST4.2×10 (06)**.

See Fig. 10 and Fig. 11 for details.

Fig. 10

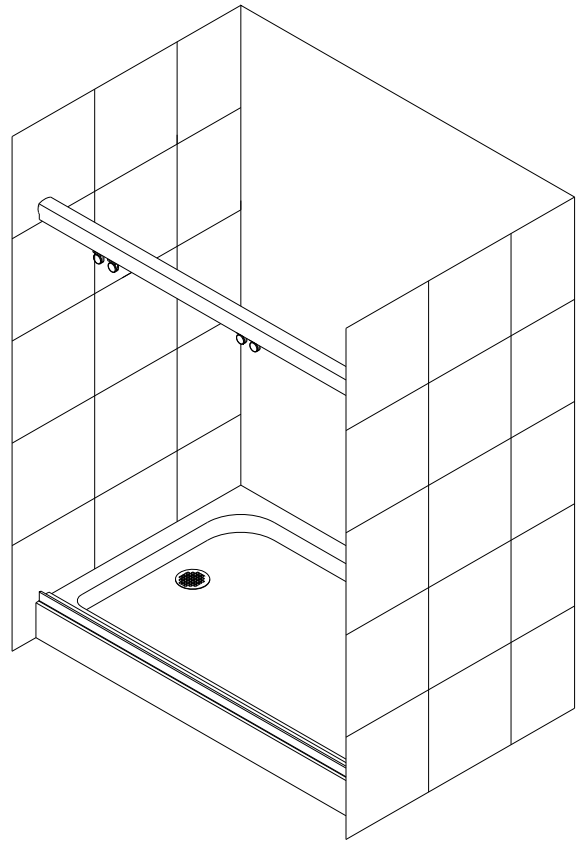


Fig. 11

10. Secure the **Glass doors (02)** onto the **Roller assemblies (10)** and fasten them with the provided bolts.
 Attach the **Handle brackets (11)** onto the **Glass doors** using the predrilled holes. Then attach **Handles (03)** to the **Handle brackets** with the **Round head screw ST4.2×25 (07)**.

See Fig. 12 and Fig. 13 for details.

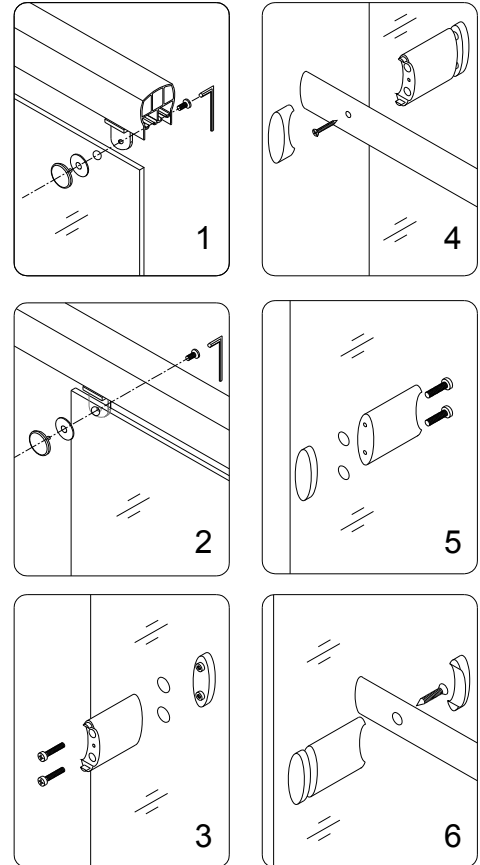


Fig. 12

NOTICE:

On the outside **Glass door**, the **Handle** must be installed outwards.

On the inside **Glass door**, the **Handle** must be installed inwards.

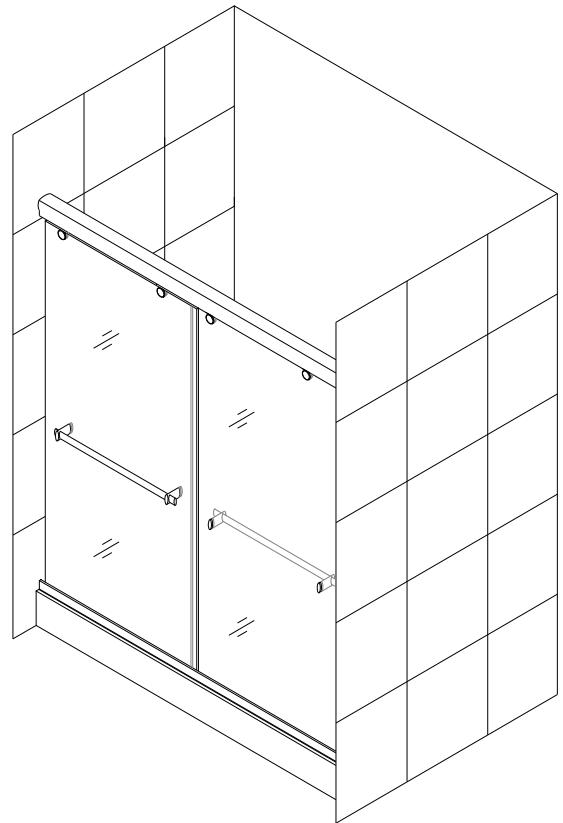


Fig. 13

11. Slide the doors to the right side and secure the **Left Guide block (12)** to the left end of the **Threshold (02)**.

Drill the holes into the **Threshold** through predrilled holes in the **Guide block** and fasten the **Guide Block** with the **Round head screw ST4.2×10 (06)**.

Slide the **Middle Guide block (12)** off the left edge of the **Glass doors (03)** and secure it to the centre of the **Threshold**.

Drill the holes into the **Threshold** using **Ø 1/8"** drill bit and fasten the **Guide block** to it using **Round head screw ST4.2×10**.

Now slide the two doors to the left side and install the **Right Guide block (12)** to the right end of the **Threshold**.

Cover the screws with the **Decorative covers (09)**.

See Fig. 14.1, Fig. 14.2 and Fig. 14.3 for details.

NOTICE: To align the doors you need to make adjustment at the bolts on the rollers.

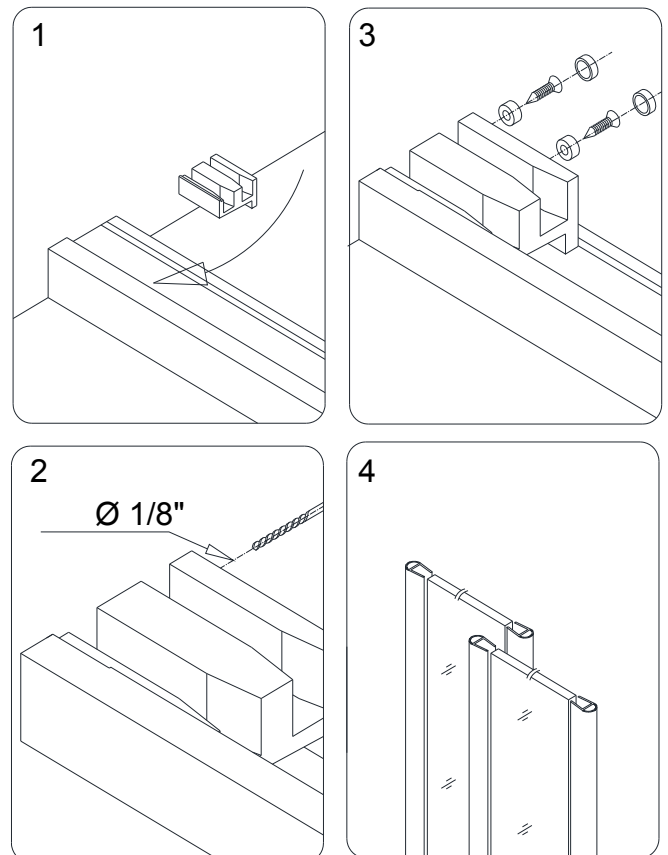


Fig. 14

12. Press the **Bumper strips (14)** on the vertical edges of the **Glass doors (03)**.

See Fig. 14.4 for details.

13. Apply the sealant along the connection of the **Guide rail (01)** and the Shower base.

See Fig. 15 for details.

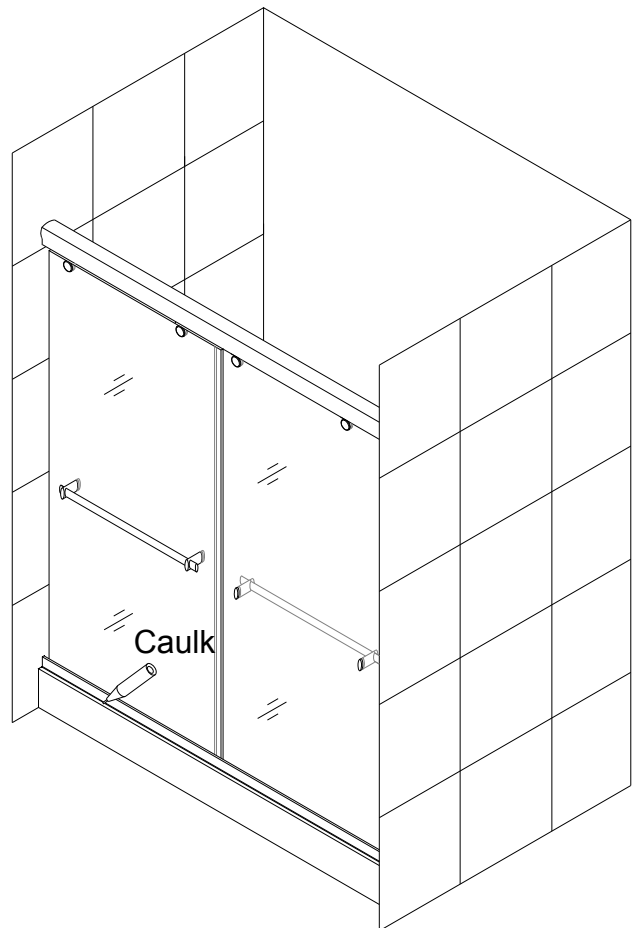


Fig. 15

Product Maintenance

To insure long lasting life for your acrylic back walls, wipe them off after each use with a soft cloth. To clean the acrylic back walls use non-abrasive sprays or cream based cleaners. Never use abrasive cleansers, metal brushes or scrapers that could scratch or dull the surface.

To insure long lasting life for your glass shower products, wipe them off after each use with a soft cloth. Rinse and wipe of the glass using either soft cloth or squeegee to prevent soap buildup. Never use abrasive cleaners and cleaning products that contain scoring agent because this may scratch the surface. Never use bristle brushes or abrasive sponges.

To assure a long lasting finish wipe off the metal parts after each use with a soft cloth. Do not use abrasive cleaners or cleaning products containing ammonia, bleach or acid. If accidentally used, rinse the surface as soon as possible to prevent finish peeling or corrosion. After cleaning the shiny finishes, rinse thoroughly and wipe dry with soft cloth. Clean stainless steel surfaces at least once a week. When applying stainless steel cleaner or polish, work with (not across) the grain. Never use abrasive sponge or cloth, steel wool or wired brushes.

This is Bath Authority LLC's ("DreamLine") exclusive written warranty effective April 1, 2011

This warranty extends only to the original owner/end-user for household use only and is not transferable to a subsequent owner. This warranty applies only to DreamLine™ products purchased from an authorized dealer and installed in United States or Canada. Proof of purchase (original sales receipt) must be provided with all warranty claims. **In no event shall the liability of DreamLine™ exceed the purchase price of the unit.**

If DreamLine™ shower doors, shower enclosures and shower bases are used commercially, DreamLine™ warrants such products to be free from defects in material and workmanship for one (1) year from initial date of purchase from an authorized dealer, with all other terms of this warranty applying except duration. If DreamLine™ vanities, vessel sinks and shower columns are used commercially, DreamLine™ warrants such products to be free from defects in material and workmanship for three (3) months from initial date of purchase from an authorized dealer, with all other terms of this warranty applying except duration. **DreamLine™ Jetted and Steam Shower Cabins are not intended for commercial use and there is no warranty extended for these products for commercial use.** DreamLine™ is not responsible for loss of use or profit under any circumstances.

DreamLine™ hereby disclaims all warranties for products sold as a dealer or store displays. DreamLine™ hereby disclaims all warranties for products used outside of the United States or Canada whether expressed or implied, including but not limited to the implied warranties of merchantability and fitness for a particular purpose.

DreamLine™ will, at its election, repair, replace with product of equal value or make appropriate adjustment where DreamLine's analysis or inspection of warranty claim discloses any such defects occurring in normal usage within the warranty period. DreamLine warranty obligation shall be discharged upon tender of replacement or repair. Purchaser's refusal to accept the tender terminates warranty obligation.

Cost of freight for returning products to DreamLine™ for repairs or replacement under this limited warranty are the responsibility of the customer. Cost of freight associated with shipping of replacement product or parts to the customer may be charged to customer. Any product replaced or repaired during the warranty period will be covered only for the remaining period of the original warranty. In no event will DreamLine be liable for costs of repair or replacement of any installation material, including but not limited to tiles, marble, etc. **DreamLine™ is not responsible for installation, removal or reinstallation costs of any product requiring warranty services.**

Improper modification or alterations of any DreamLine™ products will void the warranty. Any DreamLine products repairs must be performed by either a DreamLine authorized agent or a licensed experienced professional contractor. This warranty shall not apply to breakage or damages caused by normal wear and tear, fault, carelessness, abuse, misuse, misapplication, improper maintenance, alteration or modification of the unit, as well as chemical or natural corrosion, accident, fire, flood, act of God or any other casualty. Improper care and cleaning will void the warranty. Never use cleaners containing abrasive cleansers, ammonia, bleach, acids, waxes, alcohol, solvents or other products not recommended for chrome or similar finish, glass or acrylic. This will void the warranty. For additional product maintenance instructions please refer to product installation manuals. The warranty does not extend to any non-DreamLine™ plumbing or components installed by installers, end users or by any party other than DreamLine™.

THE FOREGOING WARRANTIES ARE IN LIEU OF ALL OTHER WARRANTIES, EXPRESSED OR IMPLIED, INCLUDING BUT NOT LIMITED TO THE IMPLIED WARRANTIES OF MERCHANTABILITY AND FITNESS FOR A PARTICULAR PURPOSE. BATH AUTHORITY LLC ("DREAMLINE") AND/OR SELLER DISCLAIM ALL LIABILITY FOR SPECIAL, INCIDENTAL OR CONSEQUENTIAL DAMAGES. DREAMLINE™ IS NOT LIABLE FOR PERSONAL INJURIES OR DEATH TO ANY PERSON OR FOR ANY DIRECT, SPECIAL, INCIDENTAL OR CONSEQUENTIAL DAMAGE, LOSS OF USE, LOSS OF TIME, LOSS OF PROFITS, INCONVENIENCE, INCIDENTAL EXPENSES, LABOR OR MATERIAL CHARGES, OR ANY OTHER COSTS RESULTING FROM THE USE OF ITS PRODUCTS OR PERTAINING TO THE APPLICATION OF THE PRESENT WARRANTY, OR RESULTING FROM THE REMOVAL OR REPLACEMENT OF ANY PRODUCT OR ELEMENT OR PART COVERED BY THIS WARRANTY.

DreamLine™ is not responsible for product code compliance or for verifying code restrictions on installation or use and any such compliance is excluded from this warranty. DreamLine™ reserves the right to modify this warranty at any time - such warranty modification will not alter warranty applicable at the time of sale of the products in question. The warranty terms for specific products are:

SHOWER DOORS, SHOWER ENCLOSURES AND SHOWER BASES

DreamLine™ warrants shower doors, shower enclosures and shower bases to be free from defects in workmanship and materials under normal residential use for a period of five (5) years from the initial date of purchase by the owner/end-user, contractor or builder from an authorized dealer.

SHOWER CABINS (JETTED & STEAM)

DreamLine™ warrants glass, acrylic and finish to be free from defects in workmanship for a period of five (5) years from initial date of purchase by the owner/end-user, contractor or builder from an authorized dealer; and plumbing, electrical and steam generator components for a period of one (1) year from the initial date of purchase by the owner/end-user, contractor or builder from an authorized dealer.

SHOWER COLUMNS

DreamLine™ warrants shower columns to be free from defects in workmanship and materials under normal residential use for a period of one (1) year from the initial date of purchase by the owner/end-user, contractor or builder from an authorized dealer.

VANITIES AND VESSEL SINKS

DreamLine™ warrants bathroom vanities and vessel sinks to be free from defects in workmanship and materials under normal residential use for a period of one (1) year from the initial date of purchase by the owner/end-user, contractor or builder from an authorized dealer.

Some states/provinces do not allow limitations on how long an implied warranty lasts, or the exclusion or limitation of special, incidental or consequential damages, so these limitations and exclusions may not apply to you. This warranty gives you specific legal rights. You may also have other rights, which vary from state/province to state/province.



TEL: 866-731-8378 – 215-957-1411

FAX: 866-227-9245 – 215-893-1780

WWW.BATHAUTHORITY.COM

For more information on [DreamLine™ Shower Doors](http://www.BathAuthority.com) please visit www.BathAuthority.com