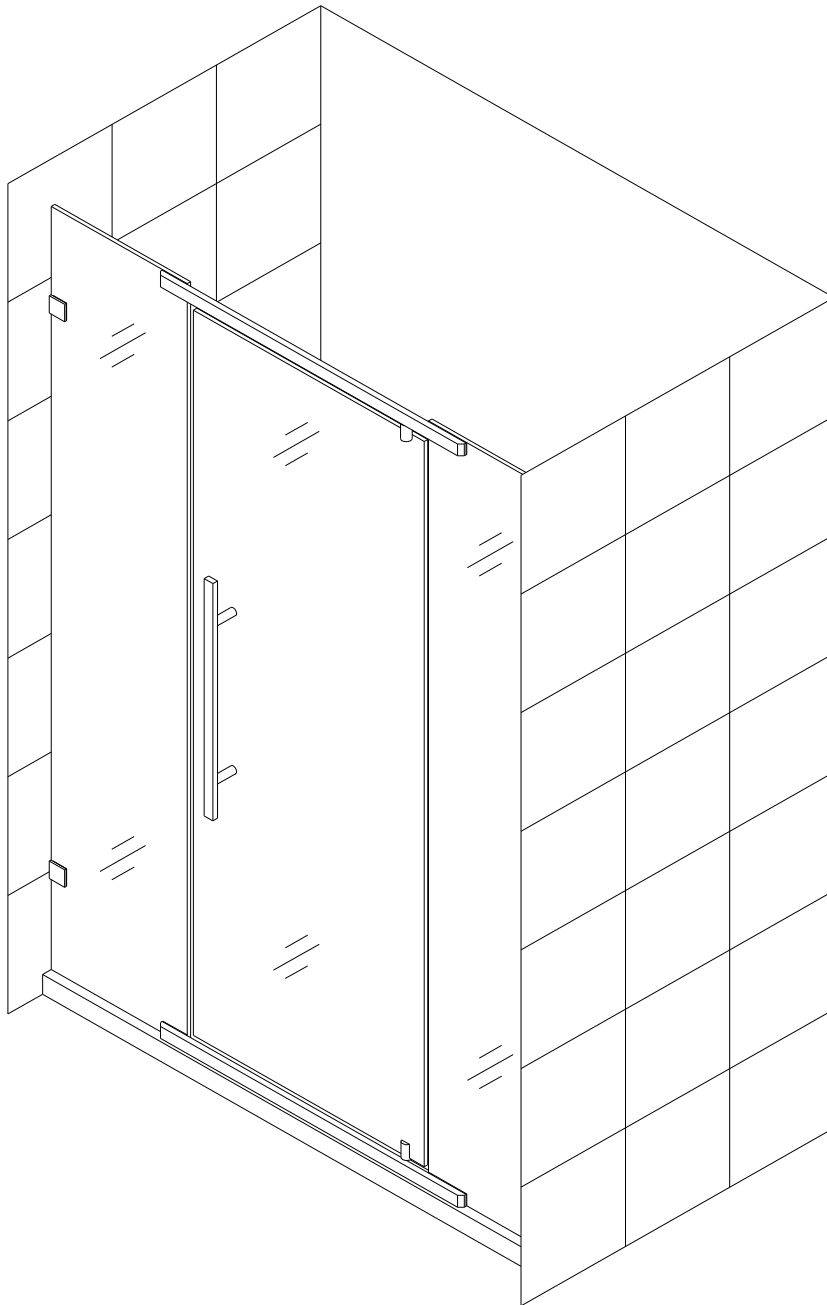




VITREO Shower Door Installation Instructions

IMPORTANT

Please read carefully the following instructions before installing your shower door. If you have any questions on this shower door installation, please call our technical support specialists Monday to Friday 9:00AM – 5:00PM EST at 1-866-731-8378 Option 3 or e-mail our technical support group at support@BathAuthority.com

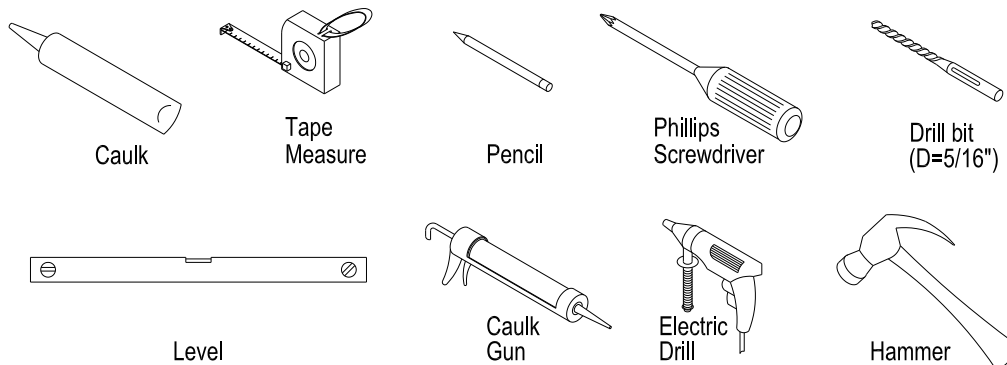


Our product may have changes without prior notice

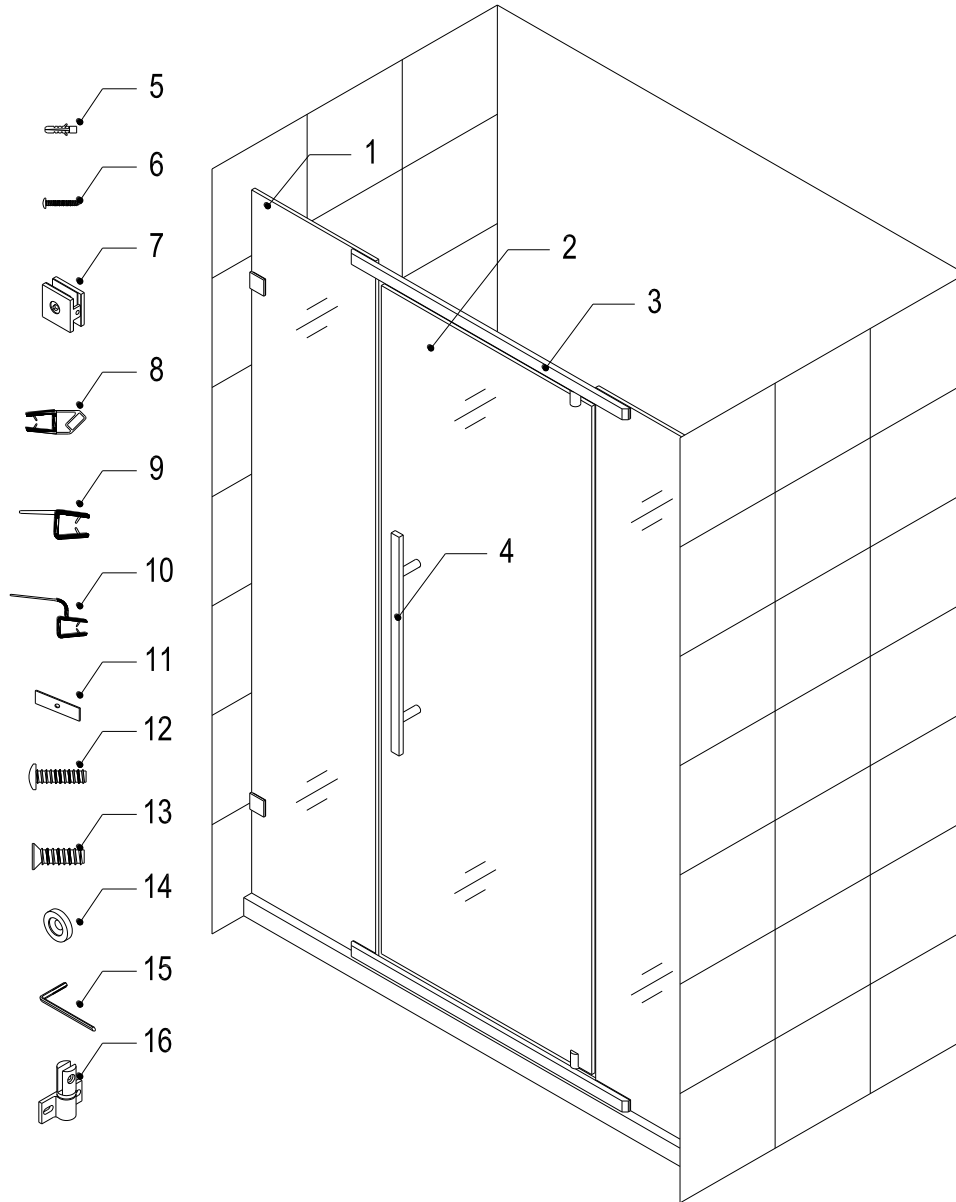
Preparation

1. After opening the boxes, read this introduction carefully, check all the packed parts are complete by cross checking all the components against the "Detailed Diagram of Shower Door Components". Examine for shipping damage. If the unit has been damaged, has a finishing defect or has missing parts please contact your local distributor within 3 business days. Please note that **Bath Authority™ / DreamLine™ will not replace any damaged product or missing parts free of charge after 3 business days or if the product has been installed.** Contact your distributor or DreamLine if you have any questions.
2. **Please note that you should consult your local building codes on questions on installation compliance standards. Building and plumbing codes vary by location, and DreamLine is not responsible for code compliance standards for your project.**
3. Please ensure that prior to the installation the floor is leveled and solid. Also make sure the walls are at right angles. While some adjustment in leveling of the door is possible, irregular floor level or improper angle of side walls will result in serious problems for your installation. Please note that there are some adjustments, cutting and drilling might be necessary during the installation process.

Tools Required



Detailed Diagram of Shower Door Components



Packing List

01	Stationary glass	2pcs	09	Bottom anti-water strip	1pc
02	Glass door	1pc	10	Anti-Water strip	1pc
03	Pivot bar	2pcs	11	Rubber Gasket	4pcs
04	Handle	1pc	12	Hex socket bolt M8x12	4pcs
05	Wall Anchor	4pcs	13	Hex socket bolt M8x22	4pcs
06	Round head screw ST 4.2x30	4pcs	14	Decorative rings	4pcs
07	Wall Bracket	4pcs	15	Allen key	1pc
08	Magnetic strip	2pcs	16	Pivot assembly	2pcs

After you have checked that all components are there, you will be ready to start the installation of your DreamLine shower door.

Installation

1. Take out both **Stationary glass panels (01)** from the package and find the **Wall Brackets (7)** and attach them to the glass panels. Note that the parts of wall brackets with the mounting holes should face inward so that when the glass panels are put in place, mounting bolts are only visible from the inside. See fig. 1 for details.
2. Place one **Stationary glass panel** with attached **Brackets** to the designated position on the threshold or tray, make sure it's leveled and plumb and mark the position of the **Brackets** on the wall. See Fig. 2 for details.

Be sure that the Stationary glass panel is absolutely vertical.

3. Take the glass panel from the threshold and remove the **Brackets**.
4. Using the removed **Brackets**, mark the drill holes for the **Bracket** installation on the wall. Drill the holes and insert the **Wall Anchors (05)** in the holes. Attach the **Wall Brackets** to the wall using the **Round head screw ST4.2×30 (06)**. See Fig. 3 for details. (Note that all parts of the wall brackets with the mounting holes should face inward in final installation).
5. Place the **Stationary glass panel** against the installed **Brackets** and secure it to the wall by attaching the fastening parts of the **Wall Brackets** to the mounted parts with the supplied bolts. See Fig. 4 for details.
6. Place the second **Stationary glass panel** with attached **Brackets** to the designated position on a threshold or a tray. The position of the glass panels should be parallel to the threshold. To find the right position measure the distance from the edge of the threshold to the installed **Stationary glass panel** at the corner between the wall and threshold. Then mark the same distance on the opposite corner. This will be the position of your second **Stationary glass panel**. See Fig. 5&6 for details.
7. Repeat steps 2-5 for the second **Stationary glass panel** installation.
8. Find one of the **Pivot bars (03)** and attach each end of it onto the top section of each of the stationary glass panels using **Hex socket bolts M8×22 (13)** with the **Decorative ring (14)** slid on, and tighten it with the **Allen key (15)** supplied. Remember to put the **Rubber gaskets (11)** between glass and metal to avoid erosive contact. Repeat it to mount the second pivot bar at the bottom of the glass. See fig. 7 for details.

Note that the holes for the pivot assemblies on both pivot bars should be located on the same side you may prefer your door to open.

9. Mount both **Pivot assemblies (16)** on top and bottom **Pivot bars** with **Hex socket bolt M8×12 (12)**. Remove fastener plates from **Pivot assemblies**, then take the **Glass door (02)** and set it onto the bottom pivot so that the holes in the **Pivot** and the **Glass Door** are aligned. Make sure the rubber gaskets are in between the glass and the metal parts. Secure the back fastener plate with the provided bolt. Repeat the same steps for the second pivot assembly. See Fig. 8&9 for details.
10. Push the **Anti-water strip (10)** and the **Bottom anti-water strip (09)** onto the edges of the glass door. Then mount the **Magnetic strips (08)** onto the meeting edges of the stationary glass and the door. Adjust the pivots and the glass door screws to ensure that the door can open and close smoothly. See Fig. 10 for details.
11. Mount the **Handle (04)** onto the door. Seal with caulk along the wall, side and the bottom of the Stationary glass panels as well as along the Pivot bar to prevent water leakage. See Fig. 11 for details.
12. You would need to install the pivot bars with Pivot assemblies on the left or the right side depending on your desired door opening side. See Fig. 11 and 12 for details.

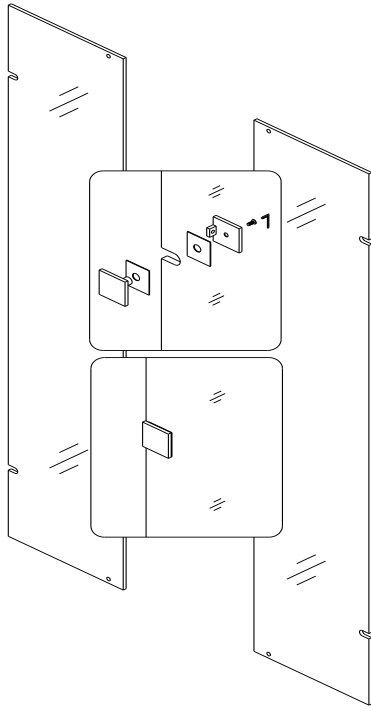


Fig. 1

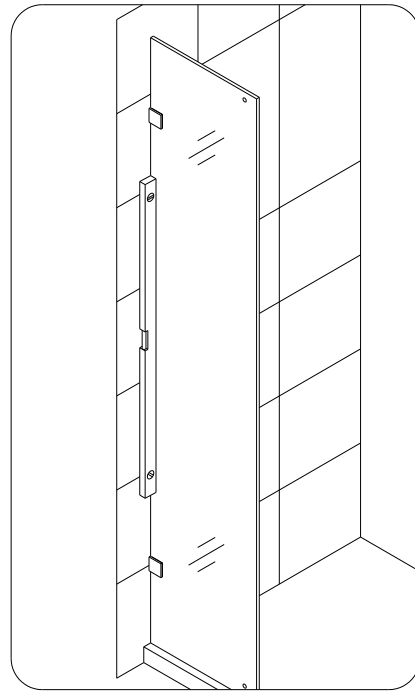


Fig. 2

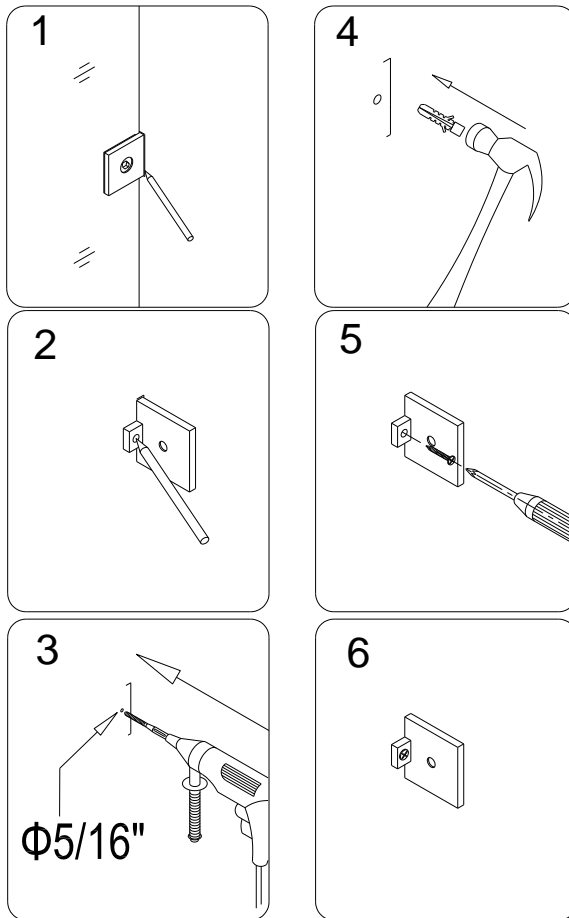


Fig. 3

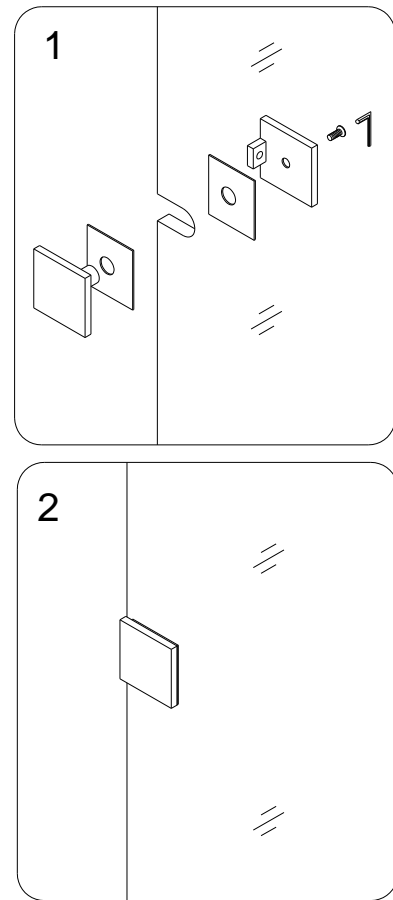


Fig. 4

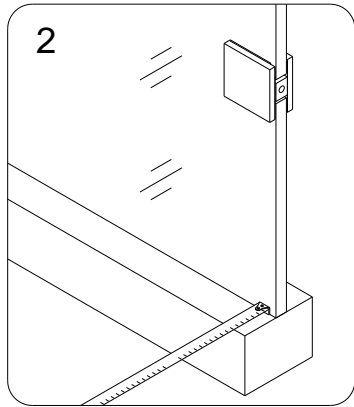
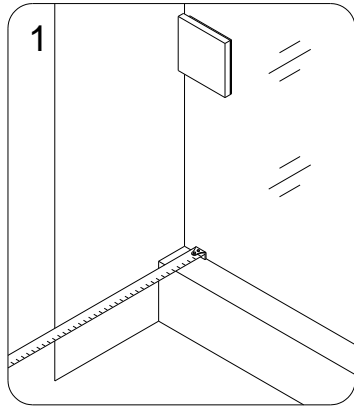


Fig. 5

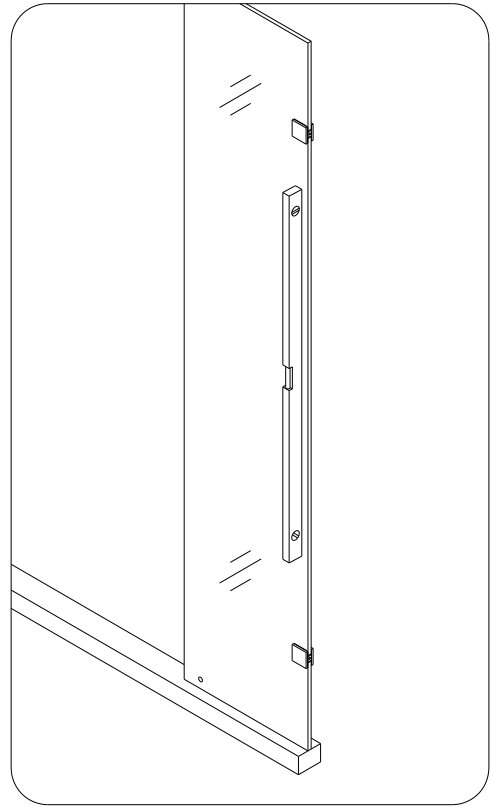


Fig. 6

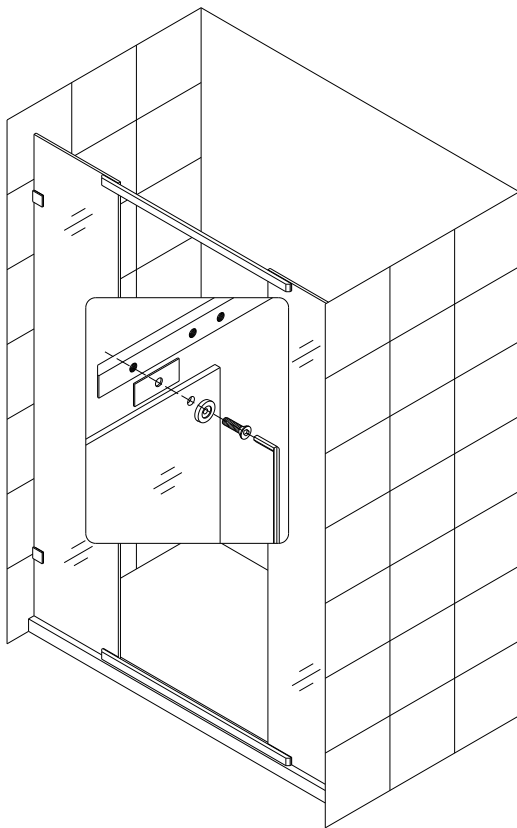


Fig. 7

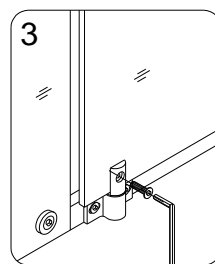
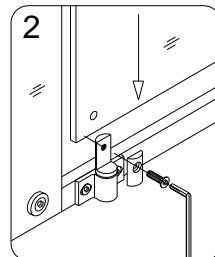
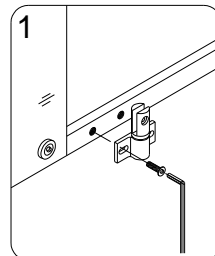


Fig. 8

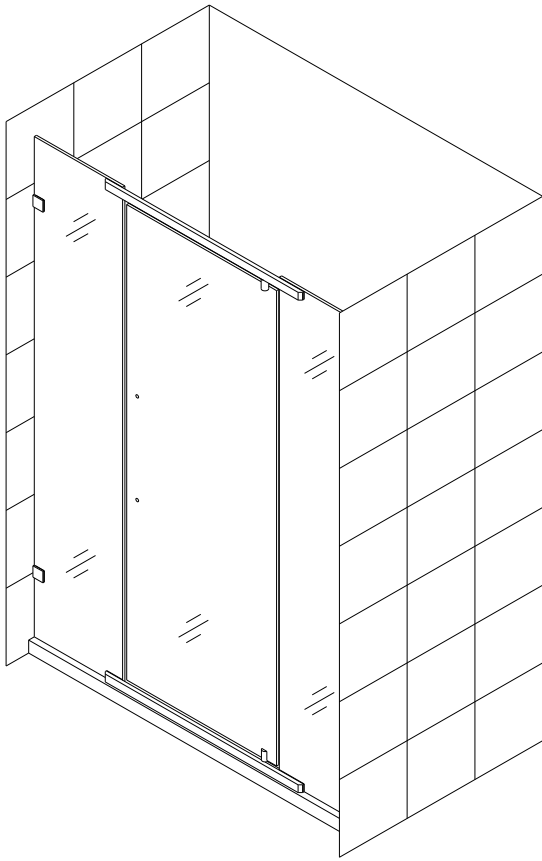


Fig. 9

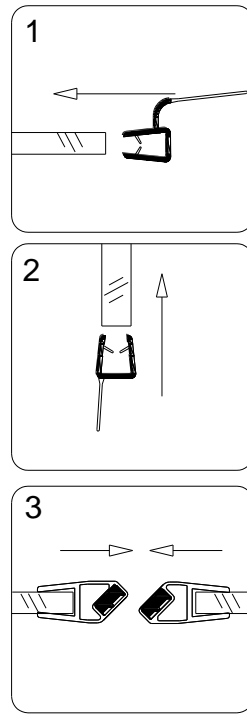


Fig. 10

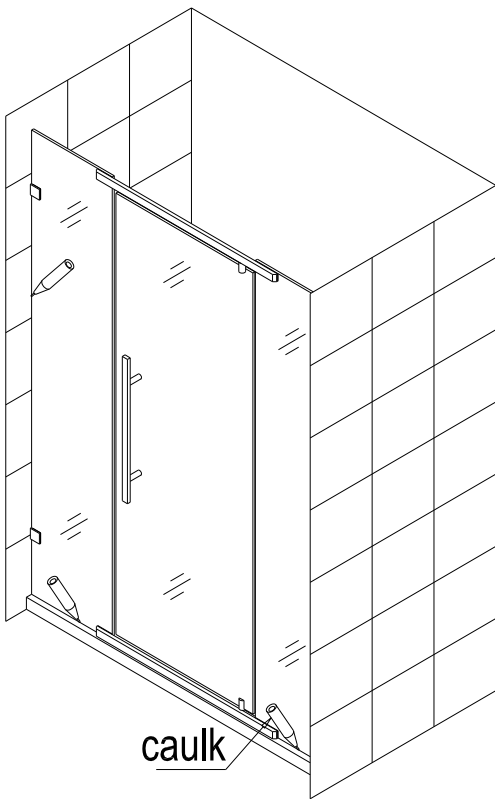


Fig.11

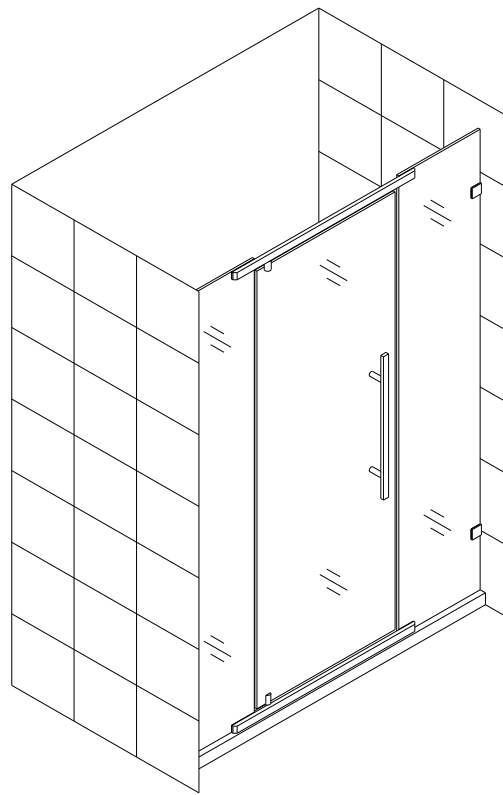


Fig.12

Maintenance

1. Tempered glass can be cleaned with nonabrasive bathroom cleaner or any glass cleaner you use elsewhere in your home. Rinse off any glass cleaner that gets on the metal parts as soon as possible to avoid damage to the metal surface. Avoid striking it with any sharp or hard objects. Such damage can cause either immediate or delayed breakage of tempered glass.
2. The metal parts in your shower door are durable and resistant to water damage. It is advisable, but not necessary to wipe it with your towel after you shower. Clean it as often as needed to keep the buildup off. Never use any type of abrasive cleaner. Use only a soft damp cloth and nonabrasive bathroom cleaners.