

# Installation Instructions

## DiamondScreen™ Rear Projection Screen by Draper

### Receiving

All DiamondScreens are shipped in durable wooden crates and are packaged in accordance with accepted packaging standards for this type of material. However, occasionally a shipment will incur freight damage due to particularly rough handling in transit. Therefore, DiamondScreens should be inspected immediately upon delivery.

*Any obvious damage should be noted on the freight bill when the shipment is received. If concealed damage is discovered, notify the delivering carrier immediately! An inspection by a representative of the delivering carrier must be made within 14 days following receipt of shipment. Many carriers do not honor claims for concealed damage unless they are notified within three days. Neither we nor our dealer can accept responsibility for claims arising from merchandise damaged in shipment unless the above procedure is followed.*

After inspection has been made, the shipping crate should be sealed until installation.

**NOTE:** *DiamondScreens are extremely delicate. DiamondScreens should be handled and stored upright at all times.*

### Unpacking

All DiamondScreen crates are labelled on the "PROJECTOR SIDE." Use extreme care in unpacking to avoid scratching the lens surfaces. Do not use knives to remove wrapping. Use soft cotton gloves, a soft cloth or tissue paper as a hand pad.

Before removing wrapping, compare the size of the finished aperture with the DiamondScreen panel. DiamondScreens should not be cut or altered in the field. Any alteration of a DiamondScreen after it leaves our plant automatically voids the product warranty.

### Installation

It is imperative that DiamondScreens be installed in a framing system with the Fresnel lens (circular pattern) facing the projection source and the linear lens (straight pattern) facing the audience.

To obtain optimum image quality, it is essential to adhere to the following guidelines:

- The projector should be mounted to allow the light path to pass from the projector lens through the approximate center of the DiamondScreen, to the audience's viewing point, in a straight line.
- Ideally the DiamondScreen should be installed perpendicular to the above light path.
- Refer to DiamondScreen specifications for optimum projected throw distance.

**NOTE:** *To comply with these guidelines, the DiamondScreen may be tilted up to 15° if necessary. The DiamondScreen must be mounted securely.*

Make sure all other aspects of construction have been completed before DiamondScreen installation, including painting and cleanup. If additional finish work must be done after installation, cover screen with clear polyethylene sheeting until all work has been completed. (In a facility that is still under construction, more protection is warranted, such as a masonite or homocel covering. Hard coverings must not be allowed to contact coated surface directly.)

### Cleanup

Dust may be removed from DiamondScreen surface with a soft clean cloth or by vacuum cleaning with a soft brush. For removal of stains use a mild soap and distilled water solution. Wring free of excess moisture before applying, rinse and blot dry. Do not rub. Do not use solvents of any type without Draper's recommendation.

### Framing Details

See page 2 for suggested framing details.

### Framing Systems

A wide variety of field-installed framing systems may be used and provided by a source other than Draper. Aluminum, wood and steel are all suitable materials. It is essential that any DiamondScreen be fully isolated from load bearing, and a minimum of 3/8" clearance must be allowed for insertion. Consult a qualified glazing specialist when planning any DiamondScreen field installation. Information about Draper's factory-installed framing system, Cineframe, is on the reverse side.

*If you encounter any difficulties installing or servicing your DiamondScreen, call your dealer or Draper, Inc., Spiceland, Indiana, (765) 987-7999, or fax (765) 987-7142.*

# DRAPER®

411 S. Pearl St., Spiceland, IN 47385 USA ■ 765-987-7999  
www.draperinc.com ■ fax 765-987-7142

Copyright © 2013 Draper Inc. Form DiamondScreen\_Inst13 Printed in U.S.A.

# Draper Cineframe®

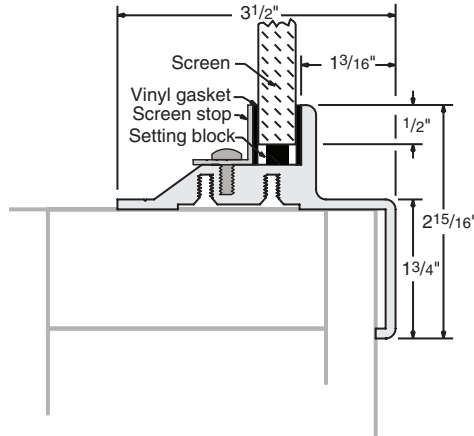
## Optional Factory-Installed Framing Systems for DiamondScreens

Rigid rear screen installation costs and problems are virtually eliminated with factory-installed Cineframes. Simply place the screen in the finished wall opening, shim into position, and trim as desired. Four styles available. All are extruded of 6063-T5 alloy anodized aluminum. Draper suggests rough opening be at least  $\frac{3}{8}$ " larger than overall frame size that fits within the opening.

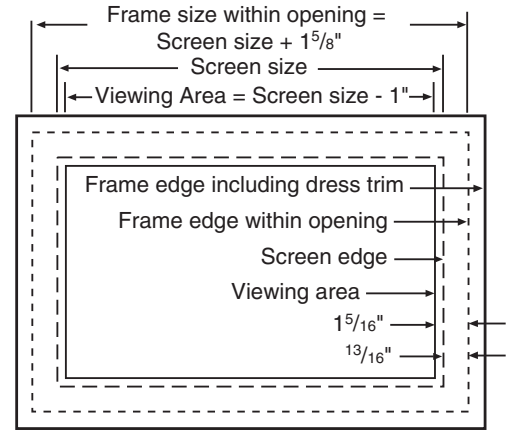
### System 400

System 400 simplifies your installation. Cut a rough opening  $\frac{3}{8}$ " larger than the overall frame size\*, slide the screen in and bolt into place. No finish carpentry required. System 400 has a  $1\frac{3}{4}$ " wide dress trim that hides the opening. The audience only sees an attractive frame around a rear screen. Suitable for all DiamondScreens through 200" diagonal (NTSC). Black finish. Weighs 1 lb., 7 oz. per lineal foot. Reduces clear viewing area by 1" in each dimension.

\*Add  $1\frac{5}{8}$ " to overall screen size to calculate the overall size of that portion of the System 400 Cineframe which fits within the rough opening.

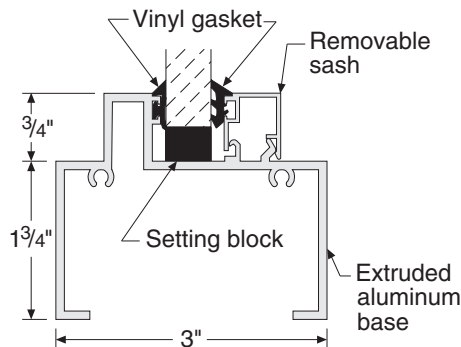


System 400

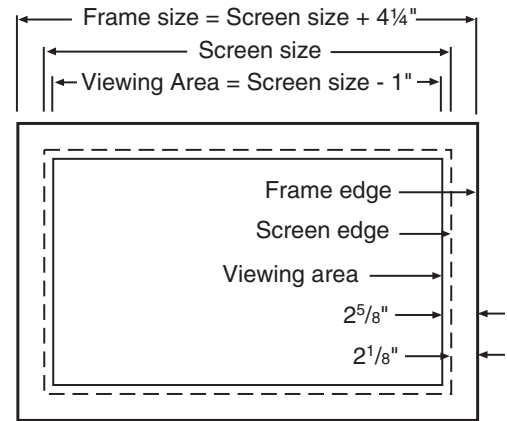


### System 200

Adds  $\frac{1}{4}$ " to overall size of screen; reduces clear viewing area by 1" in each dimension. Cut a rough opening  $\frac{3}{8}$ " larger than the overall frame size. Suitable for DiamondScreens through 160" diagonal; a frame is required for screens 140" through 160" diagonal. Select black or clear anodized finish. Weighs 1 lb. per lineal foot.

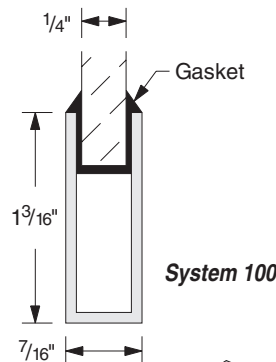


System 200

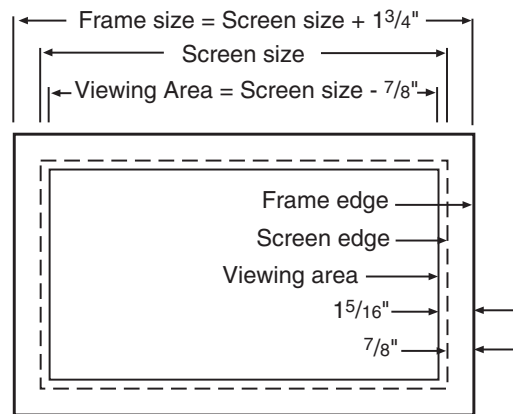


### System 100

Simple, clean frame for smaller DiamondScreens. Cut a rough opening  $\frac{3}{8}$ " larger than the overall frame size. Adds  $1\frac{3}{4}$ " to overall height and width of screen; reduces clear viewing area by  $\frac{7}{8}$ " in each dimension. Suitable for DiamondScreens up to 100" diagonal. Choice of black or clear anodized finish. Weighs 3 oz. per lineal foot.



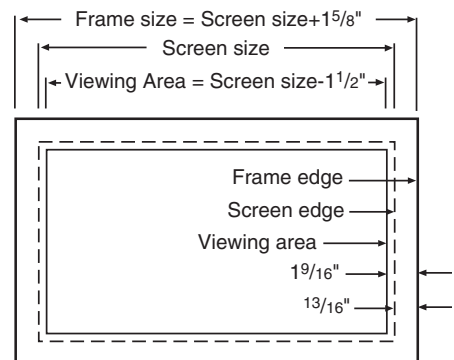
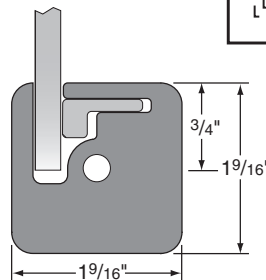
System 100



### Large Screen System

This extruded aluminum frame is furnished on all DiamondScreens 170" diagonal and larger. Not available on smaller sizes. Clear anodized finish.

Large Screen System



### Framing Systems by Others

Field-installed framing systems may be used and provided by others. Steel, wood and aluminum are suitable materials. The DiamondScreen must be isolated from load bearing, and a minimum  $\frac{3}{8}$ " clearance must be allowed for insertion into the opening. DiamondScreen framing systems should allow for acrylic expansion. Consult a qualified glazing specialist.