

# Installation/Operating Instructions

## Access/Series M Projection Screen by Draper

### **Caution**

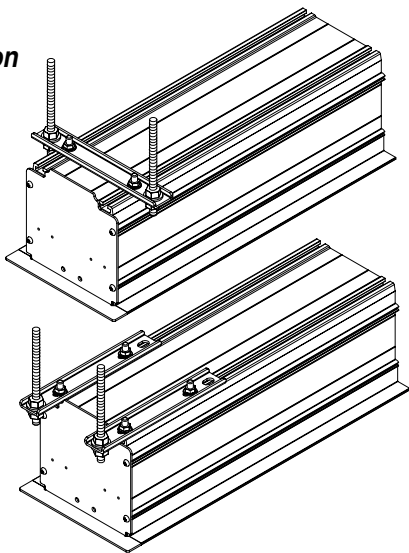
- ① Read instructions through completely before proceeding.
  - ② Follow instructions carefully. Installation contrary to instructions invalidates warranty.
  - ③ Entire bottom of screen case should be unobstructed to permit access to bottom panel for servicing.
  - ④ Screen should be installed level (using a carpenter's level).
  - ⑤ Nothing should be fastened to screen dowel or viewing surface.
- NOTE:** Screen has been thoroughly inspected and tested at factory and found to be operating properly prior to shipment.

### **Hanging Screen**

When locating viewing surface and checking clearance for screen operation, remember surface is centered in the length of the case. Regardless of mounting method used, the following points apply:

- ① Mounting brackets are shipped attached to the case. Engage each bracket with top of housing as shown below and tighten set screws. A bracket should be within 18" of each end of screen case. Brackets can be removed and case mounted with lag screws through top of case (holes drilled on site).
- ② Screen should be positively and securely supported so that vibration or even abusive pulling on viewing surface will not weaken installation.
- ③ Installer must insure that fasteners used are of adequate strength and suitable for the mounting surface chosen. Supporting hardware (chains, cables, 3/8" rods, etc.) must be essentially vertical.
- ④ Entire bottom of case must be readily accessible after installation is complete.
- ⑤ Front, back and top of case must be straight—not forced to warp or bow.
- ⑥ If case is painted on location, removal of roller/fabric assembly is recommended prior to painting. If not removed, slot on bottom of case should be shielded to protect viewing surface from paint splatters or overspray.

### **Typical Installation**

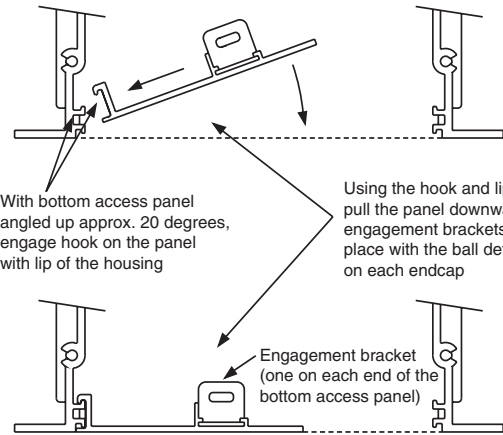


**Slots along top of case permit brackets to be set at an angle**

**Alternate Installation (additional set of brackets required but not included)**

### **Bottom Access Panel Installation/Removal**

Bottom access panel hooks over the lower inside edge of the screen housing and then is pivoted downward until the engagement brackets on each end of the bottom panel click into place with the ball detents on each endcap. Make sure bottom access panel clicks in place at each end of its length.

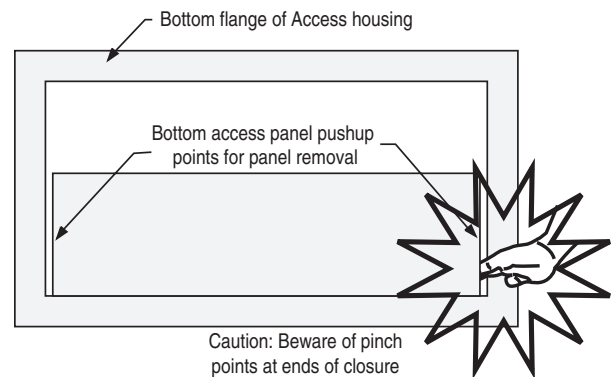


With bottom access panel angled up approx. 20 degrees, engage hook on the panel with lip of the housing

Using the hook and lip as a pivot, pull the panel downward until the engagement brackets click into place with the ball detent on each endcap

Engagement bracket (one on each end of the bottom access panel)

Remove bottom access panel by pushing up at each corner of panel adjacent to slot in bottom of the housing. With bottom access panel angled up approximately at 20° it can be lifted off of the lip of the housing and then lowered out of the housing completely.



Caution: Beware of pinch points at ends of closure

Access case as seen from below

### **Spring Roller/Fabric Installation**

The bottom access panel must be removed first.

The spear end mounting bracket has rectangular openings for accepting roller spear. Back out the four set screws in bracket until they are flush with top side of bracket.

To engage the spear end bracket flange above the two channels in the top of the screen housing, rotate the bracket approximately 45° counterclockwise to allow the top surface of the motor bracket to rest flat against the top inside of the housing. Rotating the bracket clockwise until it is engaged with the channels, slide it along the length of the housing toward the left end of housing, leaving approximately 3/4" clearance between bracket and endcap. Tighten the four set screws on the bracket flange using 1/8" hex key.

Engage the idler end bracket (nylon bushing) in the same manner as the spear end bracket and slide it toward the opposite end of the screen housing. Do not tighten the set screws on this bracket until the roller/fabric assembly is installed.

Locate the roller/fabric assembly and remove the retaining clip and flat washer from the idler end pin, and remove retaining clip from the spear. Remove brackets from roller.

**NOTE: This may require two people to perform safely.** Raise the roller/fabric assembly up into the screen housing and engage the spear of the roller completely into the spear mounting bracket.

If roller is 1 3/4" diameter, there will be an **arrow** imprinted on the spring end of the roller. **This arrow must be pointing UP**, and you must use the **slot closest to the edge of the bracket**.

If roller is 2 1/4" or 3" diameter, there will be a **notch** cut out on the spring end of the roller. **This notch must be pointing DOWN**, and you must use the **appropriate slot**.

# DRAPER®

(Continued from Page 1)

Install the retaining clip on the spear, locking spear and bracket together. While supporting the idler end of the roller, slide the idler end mounting bracket toward the roller. Insert the roller pin into the nylon bushing on the idler end mounting bracket.

The roller idler pin needs to go through the idler bracket far enough to allow the washer and retaining clip to be reinstalled on the pin. Failure to replace the washer and retaining clip as shown could result in the separation of the roller from the brackets.

Securely tighten the four set screws on the idler end mounting bracket. Reinstall the bottom access panel as previously described.

### Spring Roller/Fabric Removal

Reverse the instructions above "Spring Roller/Fabric Installation" for removal of the unit.

### Operating Instructions—Standard

**To lower** picture surface, pull screen down. *Hesitate*—then allow screen to retract *very slowly* until it locks in place.  
**To raise** picture surface, pull screen down and, while holding, allow for slow retraction into the case to reduce risk of injury from falling screen.

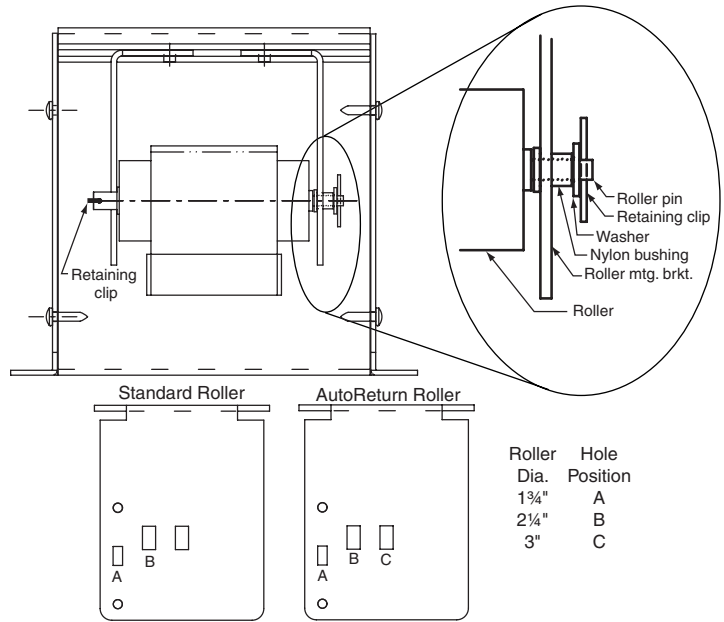
### Operating Instructions—AutoReturn

**To lower** picture surface, pull screen down. *Hesitate*—then allow screen to retract *very slowly* until it locks in place.  
**To raise** picture surface, pull screen down gently until it stops, then release.

### Viewing Surface Care & Maintenance

#### Matt White & High Contrast Grey

Clean surface with a solution of mild dishwashing liquid diluted with warm



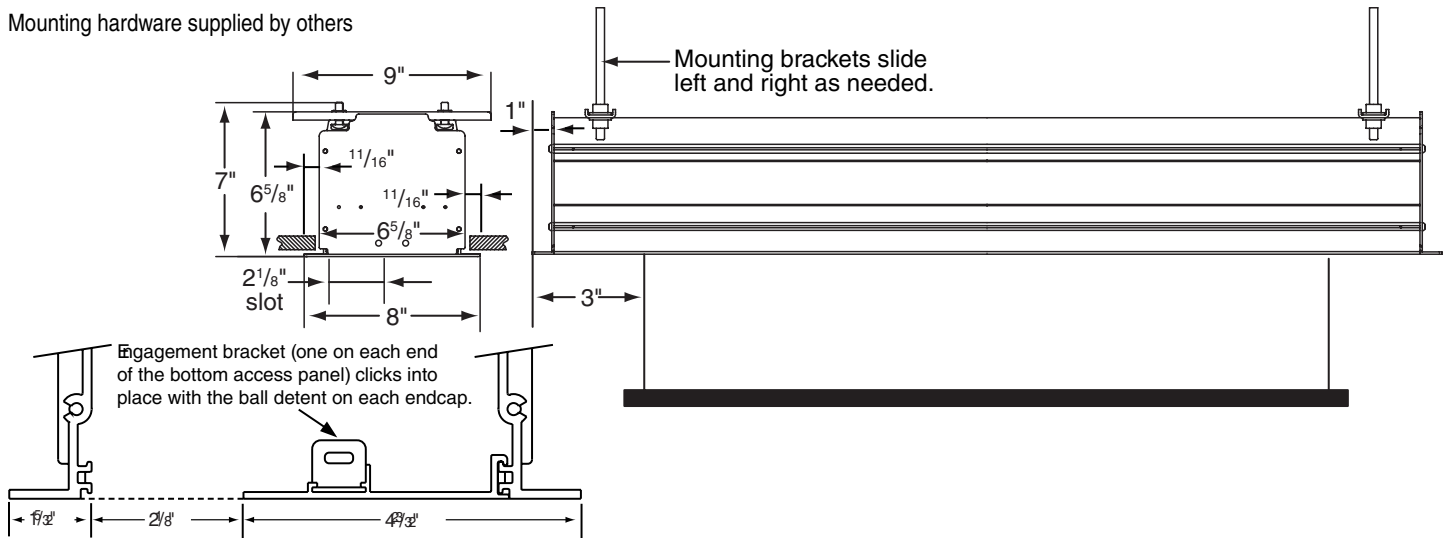
water. Sponge the surface, rinse with clear water and blot dry. Do not use cleaning solvents or abrasives.

#### Glass Beaded

Clean with a very soft brush or cloth and carefully dust the surface. **DO NOT USE SOAP, WATER, SOLVENTS OR ABRASIVES.** These substances will damage a glass beaded viewing surface.

### Case Dimensions

Mounting hardware supplied by others



### Mounting Bracket Dimensions

