

# Installation/Operating Instructions

## V Screen Spring Roller Operated Projection Screen by Draper

### ⚠ Caution

- 1 Read and understand these instructions; keep them for future reference. Follow instructions carefully.
  - 2 Care in both mounting and correct operation will mean long and satisfactory service from your Draper screen.
  - 3 Locate the screen where the audience can best see it, and where other room furnishings permit.
  - 4 Mount the screen so that the bottom of the picture, when screen is fully extended, will be above the heads of viewers.
  - 5 Screen should be installed level (using a carpenter's level).
  - 6 Nothing should be fastened to screen dowel or viewing surface.
- NOTE:** Screen has been thoroughly inspected and tested at factory and found to be operating prior to shipment.

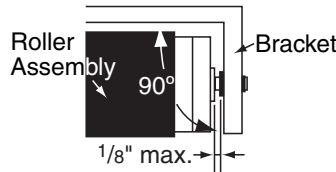
### Installation

Your Draper screen can be mounted on a wall or suspended from the ceiling or extension brackets. It must be mounted level and with the flat back parallel to the wall. To reduce the risk of personal injury, use only the hardware which comes with the screen or is specified in these instructions.

The screen (or extension brackets) should be mounted into studs or blocking in the wall/ceiling, or in drywall (minimum thickness 1/2") with specified anchors. For any other type of installation, follow all local building and safety codes. Steel studs, concrete or cinder block walls and all other types of non-wood frame construction require the use of special screws or anchors.

**The selection of appropriate mounting hardware should be made by a qualified professional installer.**

**Please Note:** The brackets should be at a 90° angle to the aluminum bar. It is important that the screen travel no more than 1/8" (side to side) between brackets. If necessary, the brackets should be bent an equal distance inward to achieve the 1/8" requirement.

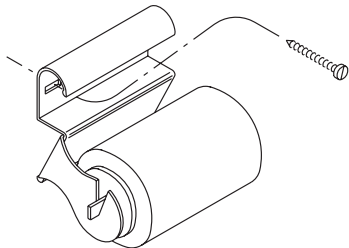


### Wall Mounting (Screws Not Included)

If using wood screws, toggle bolts or molly bolts (not provided), use holes to mark locations on wall. Drill holes in wall, and position and attach screen using appropriate hardware.

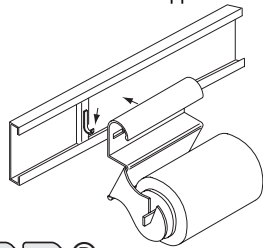
**Please Note:** If hole locations do not match up with wall studs, additional holes may be drilled in the aluminum support bar.

**Recommended hardware:** For mounting into wood or wall stud, use #10 x 1 1/4" wood screws; for mounting into drywall (minimum 1/2" thick), use 3/16" toggle bolts or 3/16" molly bolts.



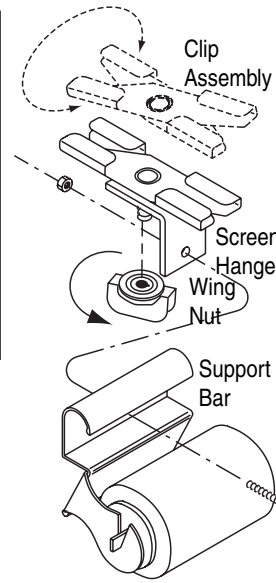
### Hanging from Map Rails (Not Included)

The V Screen can be suspended from map rail hooks (not included). Position hooks in appropriate locations along map rail, and hang screen from map rail hooks using pre-drilled holes or slots in the V Screen's support bar.



# DRAPER®

411 S. Pearl St., Spiceland, IN 47385 USA ■ 765-987-7999  
 www.draperinc.com ■ fax 765-987-7142  
 Copyright © 2008 Draper Inc. Form VScreen\_Inst08-R2 Printed in U.S.A.



### T-Bar Twist Clips (Optional Equipment)

**Please Note:** T-Bar Twist Clips have a Static Load Capacity of 100 lbs. T-irons must be checked for load-carrying capability and often need to be provided with additional support, such as cross bracing or more wires to the structure above, in order to safely support the weight of the screen and the force applied in operation. **The installer must confirm the adequacy of the T-iron support.**

The most stable installation is accomplished when the V Screen is attached across parallel T-irons, rather than to the same one.

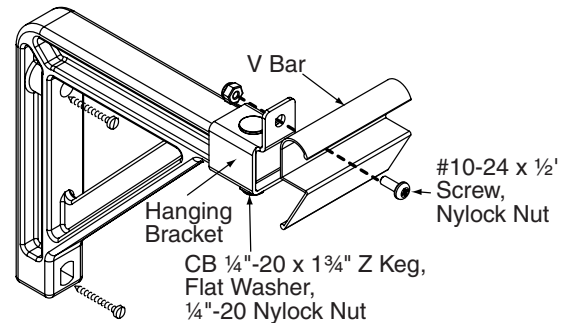
- 1 Mount the support bar to the clips using the machine screw and nut provided.
- 2 Loosen the wing nut and spread the clip assembly apart.
- 3 The screen's support bar is pre-drilled on 48" centers to make use of 48" T-iron spacing. Additional holes may be drilled into the support bar if needed.

- 4 Place clip over the T-iron, and firmly squeeze the clip assembly back together, making sure the clip is **firmly seated** around T-iron.
- 5 Use pliers to retighten the wing nut.
- 6 Test by trying to pull the twist clip open and by pulling down on the hanger. The clip should not pull open.

**Caution: Make sure the clip is fully tightened around the T-iron, and the wing nut is fully tightened. Poorly tightened clip assemblies or wing nuts allow the T-Bar Twist Clip to work loose. Screens over 84" wide require three T-Bar Twist Clips.**

### Extension Brackets (Optional Equipment)

Wall mount the brackets (not included with screen) using hardware recommended for "Wall Mounting" (above). Then, mount the screen to the front of the bracket using the V Screen Bracket Mounting Kit provided with the brackets.



**Please note:** When installing wall brackets, flexible driver bit extensions may make it easier to accurately drive the fasteners into the mounting surface.

### Operating Instructions

**To lower** picture surface, pull screen down. *Hesitate*—then allow screen to retract *very slowly* until it locks in place.

**To raise** picture surface, pull down on the pull bail, then raise quickly, as a window shade. Keep control of the picture surface. Do not allow it to roll back up uncontrolled, or damage is sure to result.

### Spring Tensioning Instructions

- 1 Clamp the flat spear on the left end of the roller securely (a pair of vise-grip locking pliers works well) and rotate clockwise 15 turns. Take care not to allow the pliers to slip as tension increases.
- 2 Once the desired amount of rotations have been added, stop the rotation of the slotted end in a vertical position. The vertical position must be maintained to lock the mechanism.
- 3 Release a small amount of pressure off the roller and allow it to rotate very slowly (less than 180 degrees of rotation will be necessary). This will allow the spring mechanism to lock into position.

If you encounter any difficulties installing or servicing your screen, call your dealer or Draper, Inc., Spiceland, Indiana, (765) 987-7999 or fax (765) 987-7142.