

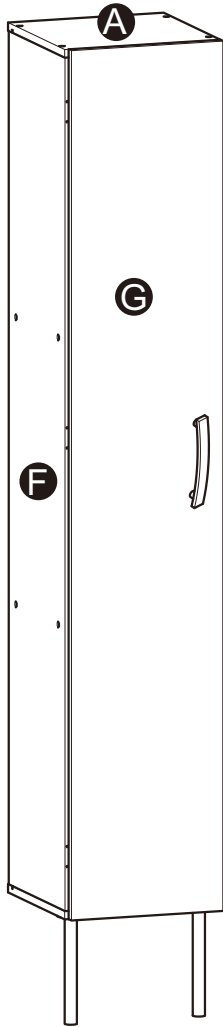
BATHROOM CABINET

ASSEMBLY INSTRUCTIONS

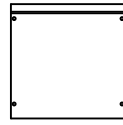
MODEL # YNJ-300-4

Please keep for future reference

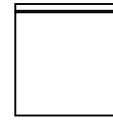
PARTS LIST



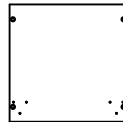
A 1PC



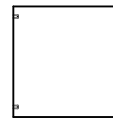
C 2PC



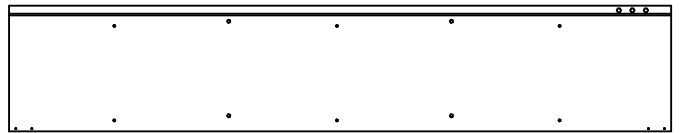
B 1PC



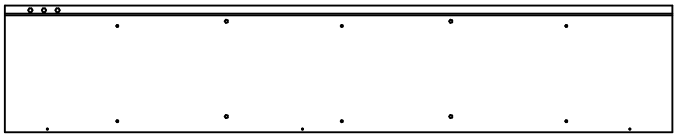
D 3PC



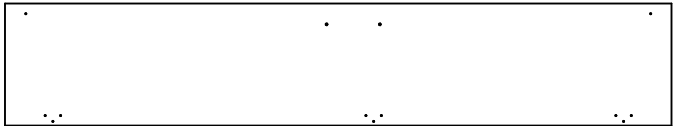
E 1PC



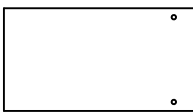
F 1PCS



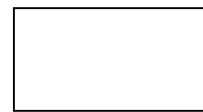
G 1PCS



H 1PC



I 2PC



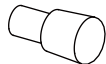
PRODUCT SIZE: 12.2"(W)*13"(D)*71.3"(H)

HARDWARE LIST

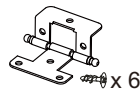
① 16PCS



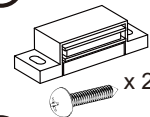
② 12PCS



③ 3SETS



④ 2SETS



⑤ 2SETS



⑥ 2PCS



⑦ 6PCS



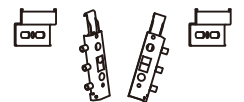
⑧ 2PCS



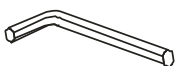
⑨ 1SETS



⑩ 1SETS



⑪ 1PCS

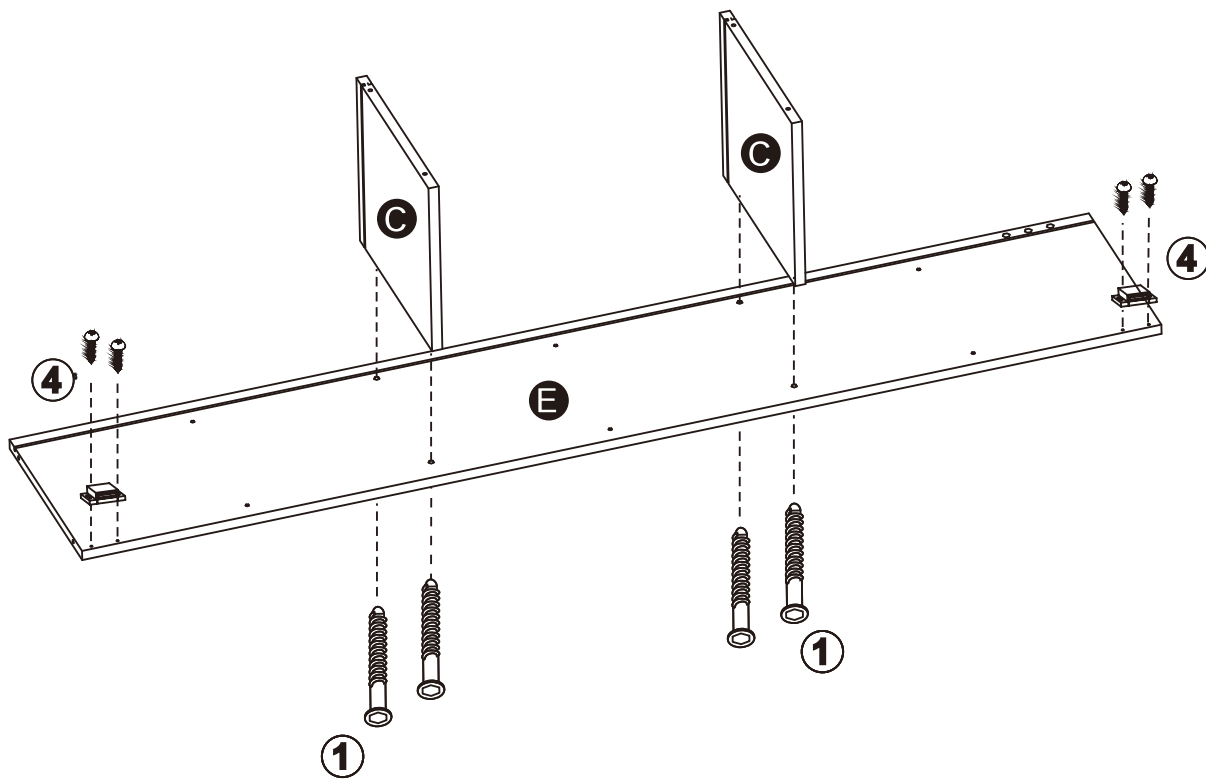


⑫ 4SETS

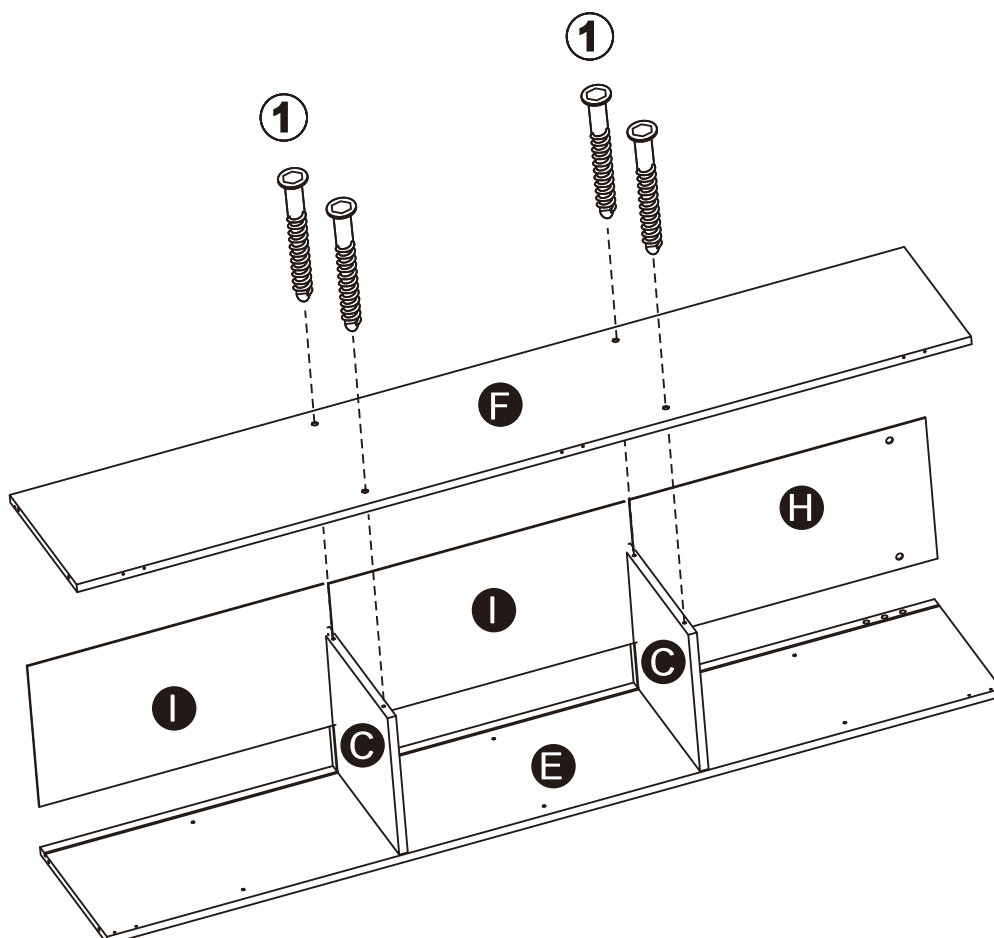


x 2

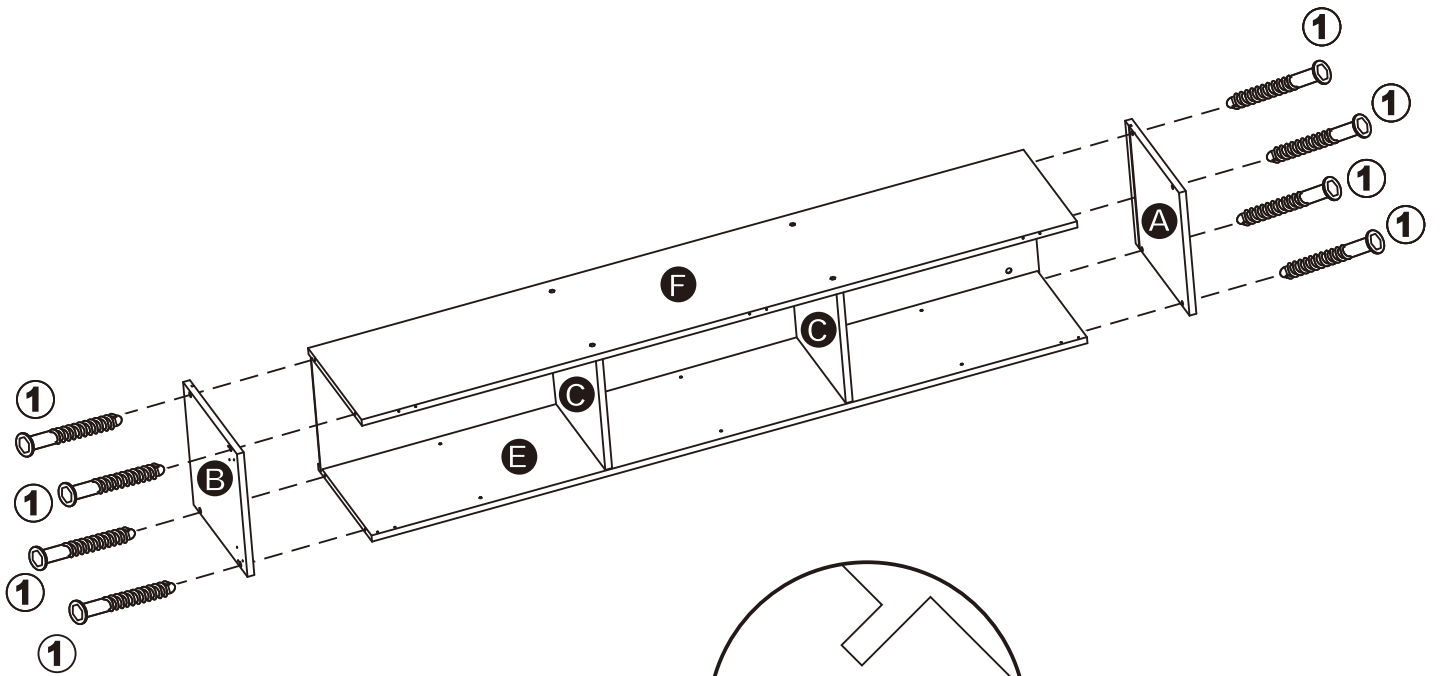
STEP : 1



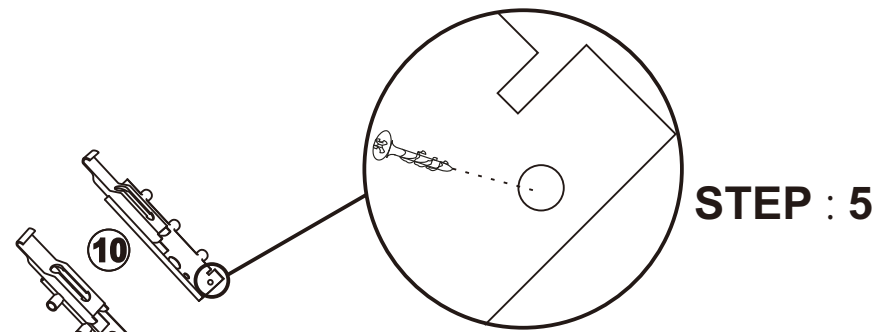
STEP : 2



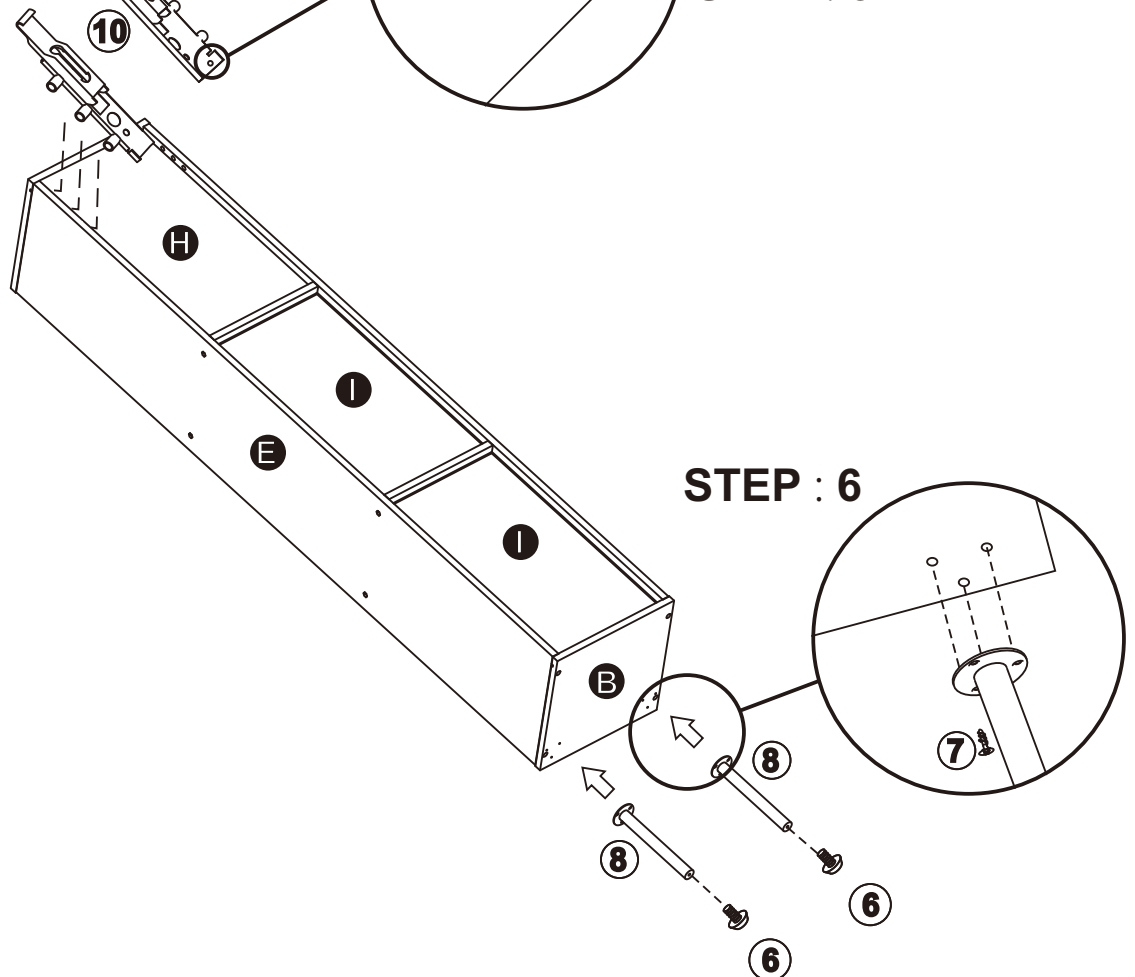
STEP : 3



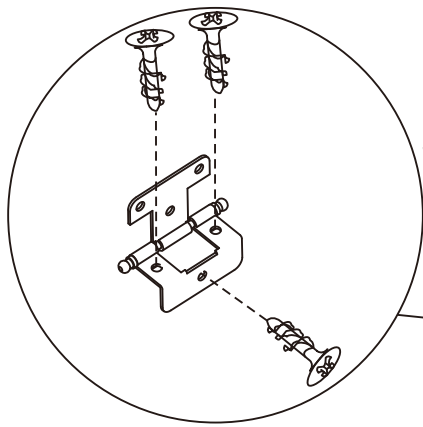
STEP : 4



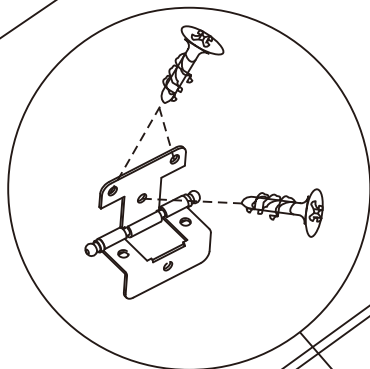
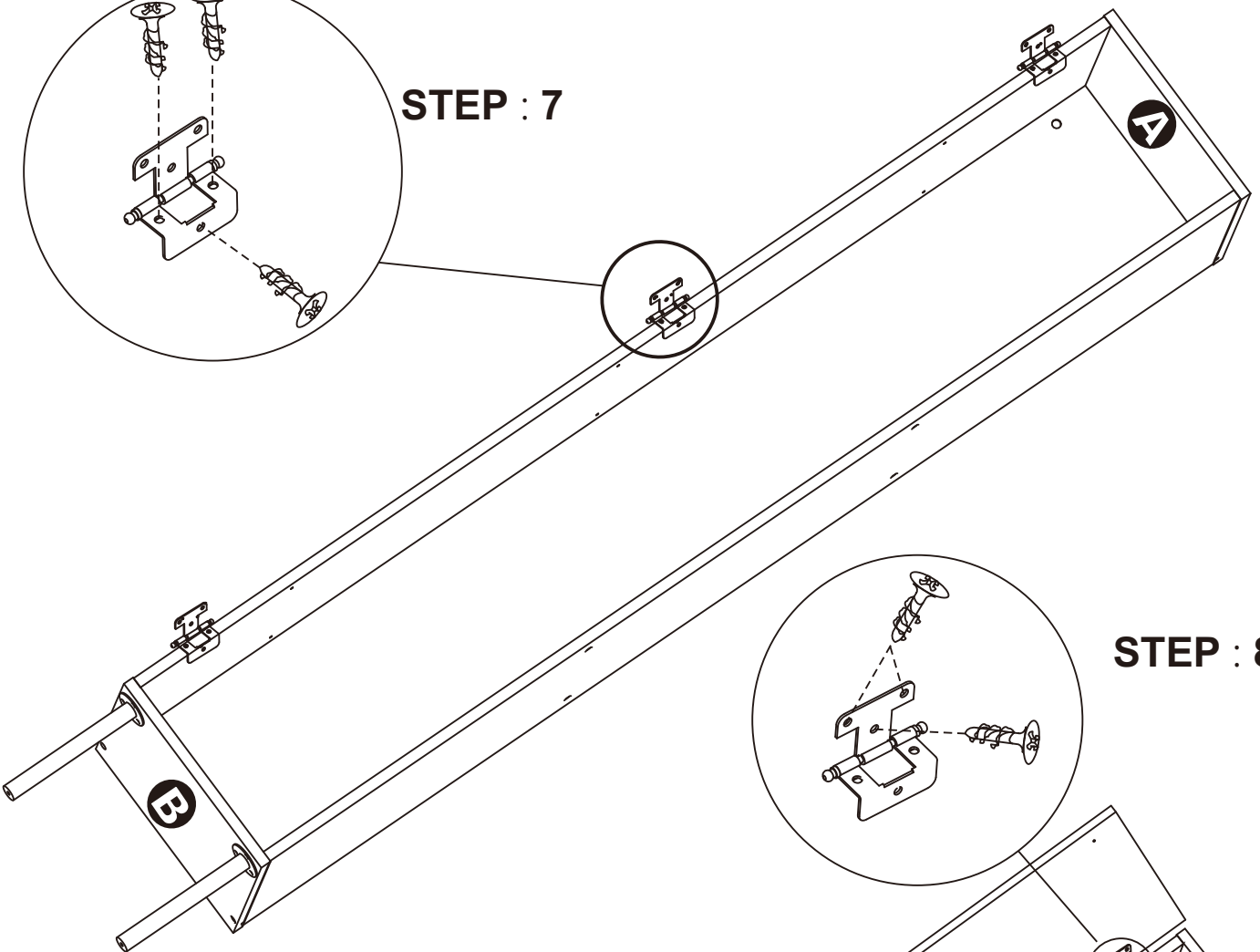
STEP : 5



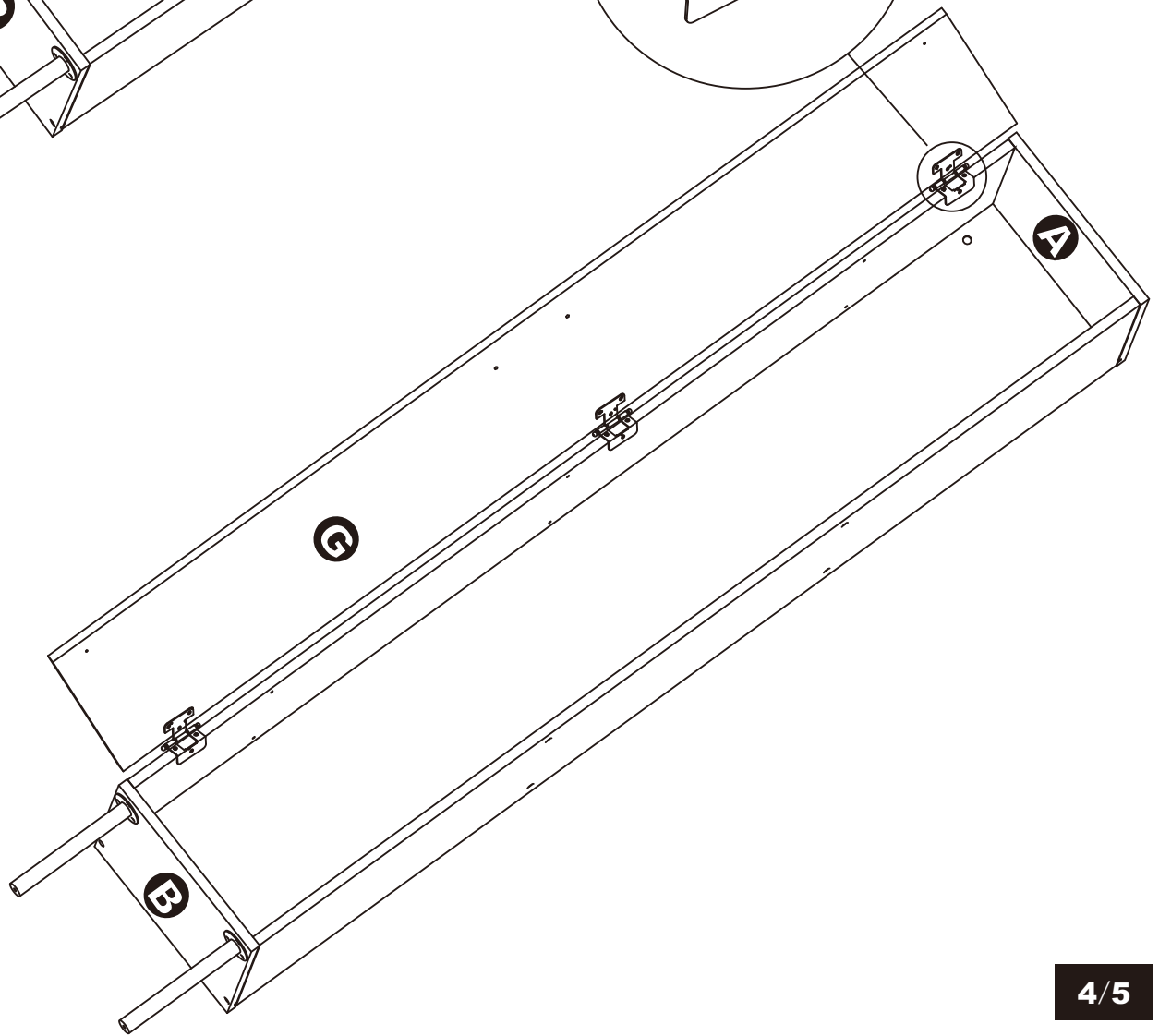
STEP : 6



STEP : 7



STEP : 8



Caution: this hardware can only be adjusted when the cabinet fixed on the wall and instructed by professional

STEP : 9

