

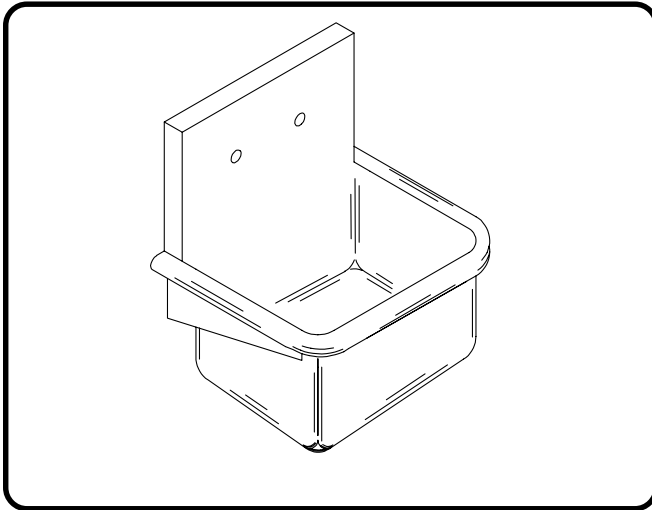


INSTITUTIONAL GROUP

A-18665

SERVICE SINK

SUBMITTAL DATA

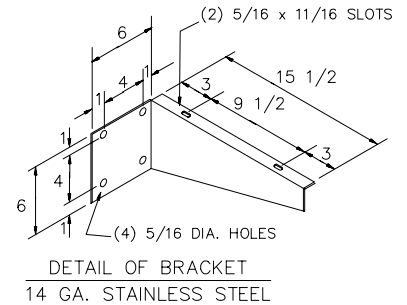
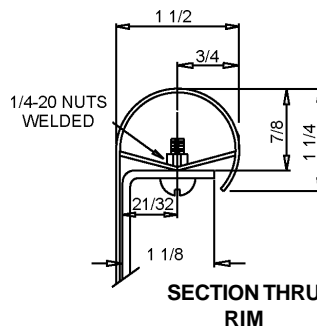
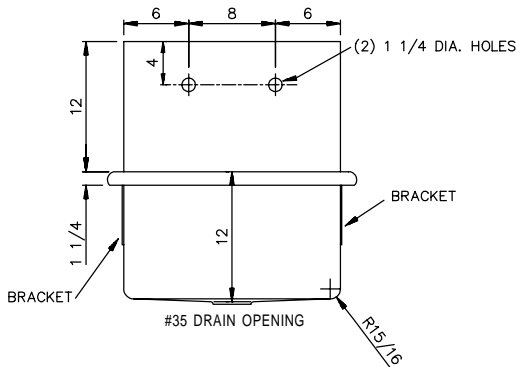
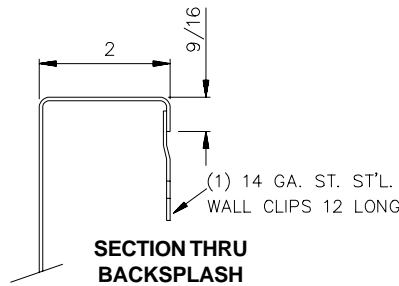
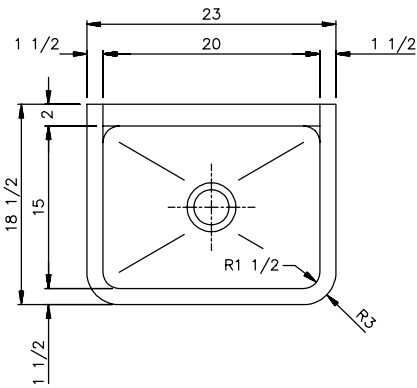


SPECIFICATION

Seamless welded construction, fabricated of 14 gauge type 304 stainless steel. 1-1/2" dia. roll rim on front and sides. Interior surfaces polished to a Hand-Blended Just Finish. Exposed exterior surfaces polished with a standard brush finish. Furnished with two 14 gauge type 304 stainless steel wall brackets, and one 14 gauge stainless steel wall clip. Drain punch for #35 centered for Just J-35 drain.

To be specified :

- Faucet hole punching:
 - (1) Hole Centered
 - (2) Holes on 8" centers(illustrated)
 - (3) Holes on 4 "centers
- Alternate Punching:
 - Faucet Model: _____
 - Punching required: _____



FUNCTIONAL DESIGN, QUALITY, AND SPECIFICATIONS LISTED DESCRIBE THE JUST STANDARD OF QUALITY. WHEN MAKING COMPARISONS WITH OTHER OFFERINGS, INSIST ON THE JUST QUALITY OF CONSTRUCTION. FOR ADDITIONAL INFORMATION REGARDING THE COMPLETE LINE OF **JUST** SINKS, FAUCETS AND DRAINS, VISIT OUR WEB SITE AT www.justmfg.com

Job Name _____

Customer _____

Architect/Engineer _____

APPROVED FOR MANUFACTURING

MODEL NO. _____ QTY. _____

COMPANY _____

TITLE _____ DATE _____

SIGNATURE _____

REVISED-7/2005

JUST MANUFACTURING COMPANY

9233 KING STREET . FRANKLIN PARK . ILLINOIS . 60131-2111

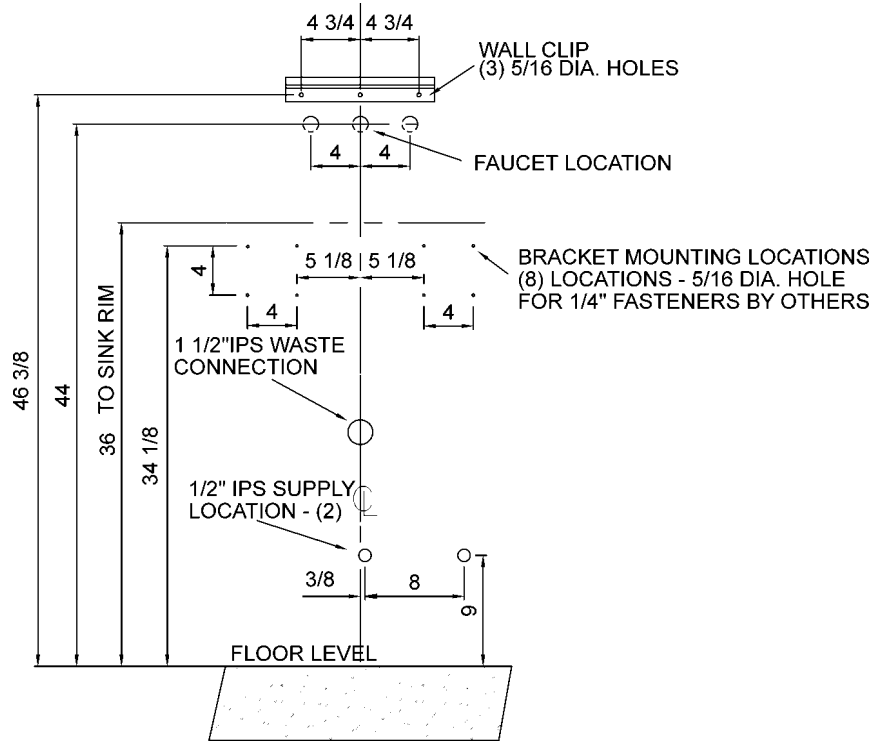
PH: 847-678-5150 . FAX: 847-678-6817 . E-MAIL: custserv@justmfg.com . www.justmfg.com



INSTITUTIONAL GROUP

**A-18665
ROUGH-IN DATA**

SUBMITTAL DATA



JUST MFG. COMPANY CONTINUES TO MAKE QUALITY AND FUNCTIONALITY A MARK OF THE JUST PRODUCT LINE. TO DO SO REQUIRES THAT WE RESERVE THE RIGHT TO CHANGE PRODUCT INFORMATION WITHOUT NOTICE. FOR THE MOST CURRENT AND ACCURATE INFORMATION REGARDING THE COMPLETE LINE OF **JUST SINKS, FAUCETS AND DRAINS**, CLICK ON THE **SPEC LINE DRAWINGS** LINK ON OUR WEB SITE AT www.justmfg.com

JUST MANUFACTURING COMPANY	
9233 KING STREET . FRANKLIN PARK . ILLINOIS . 60131-2111	
PH: 847-678-5150 . FAX: 847-678-6817	
E-MAIL: custserv@justmfg.com . www.justmfg.com	