



Exclusively Designed

INTERNATIONALLY RECOGNIZED™

PRODUCT SPECIFICATIONS

Cylindrical Bottle P-Trap Kit

Model # SPT-1738 - (xx)

Product Features:

- Available in Oil-Rubbed Bronze, Satin Nickel, Victorian Bronze or Polished Chrome Finish

Contents and Dimensions:

- 2 ea. 3/8" x 20" rigid risers
- 1 ea. 1-1/4" x 1-1/4" P-trap
- 2ea. 5/8" IPS sure grip flanges with high box flange
- 2 ea. 1/2" IPS sure grip flanges
- 2 ea. IPS to compression adapter
- 2 ea. 1/2" IPS x 3/8" OD comp.
- 2 ea. Angle stops with cross handles



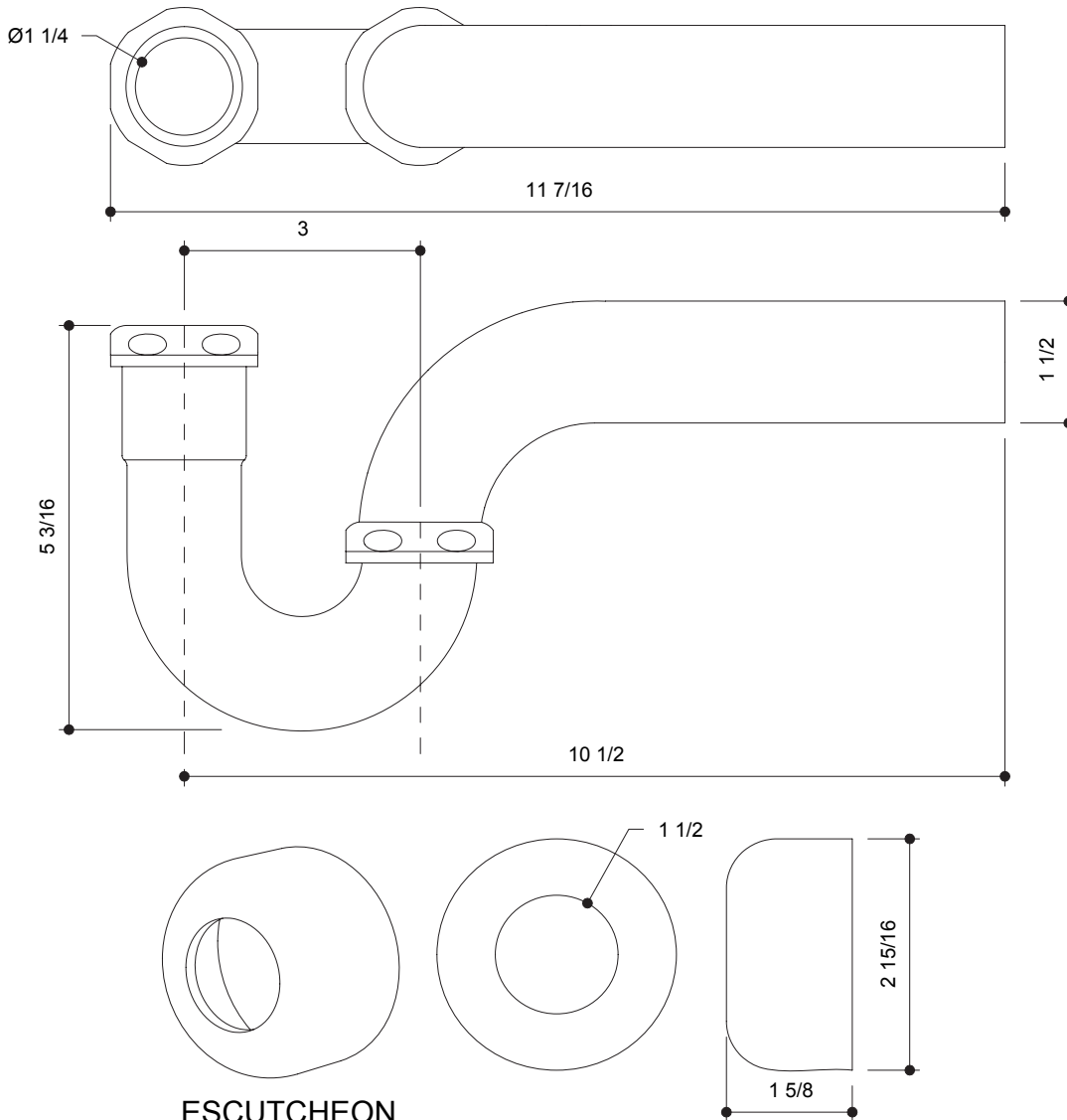
This Product Complies With:

- EPA WaterSense
- CA-AB 1953
- NSF/ANSI 61
- ASME A112.18.1/CSA B125.1
- ASME A112.18.2/CSA B125.2
- SGS/USTC

Recommended Accessories:

- Any D'vontz® Sink
- D'vontz® Matching Faucet
- D'vontz® Matching Drain

ROUGH IN & PRODUCT DIMENSIONS



Please install this product according to the installation guide and all local plumbing codes.