



PRODUCT SPECIFICATIONS

Exclusively Designed • INTERNATIONALLY RECOGNIZED™

Sphere

Model # DV-SP0001{WH}

Product Features:

- Vitreous China
- Vessel Application
- Without Overflow
(Non-Overflow Drain Required)
- White Finish



This Product Complies With:

- SGS USTC
- ASME A112.19.2-2008
- CSA B45.1-08

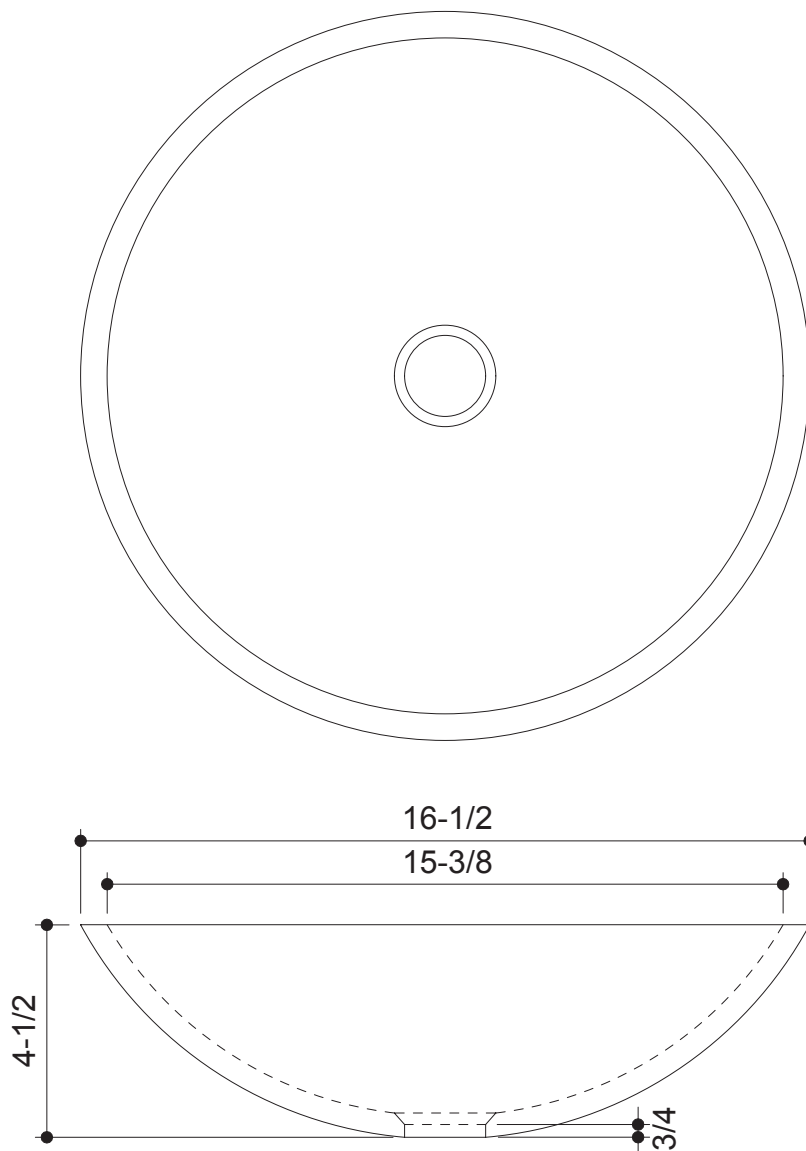
Measurements:

- Diameter: 16-1/2" (41.9 cm)
- Height: 4-1/2" (11.4 cm)
- Fits 1-1/2" (3.8 cm) Drain

Recommended Accessories:

- Any D'vontz® Vessel Faucet
- Any D'vontz® Vessel Drain

PRODUCT DIMENSIONS



Please install this product according to the installation guide and all local plumbing codes.