



PRODUCT SPECIFICATIONS

Exclusively Designed • INTERNATIONALLY RECOGNIZED™

Juliana Small Model # TCJ6731-{xx}{z}[y]

Product Features:

- Hammered Natural Copper
- Vessel Application
- Overflow may be specified on the PO and factory cut, or left blank and cut on-site by installer
- Round Edge Only
- Dark Smoke or Shiny Copper Finish
- Water Capacity: Approx. 95 Gallons
- Tub Weight (uncrated): 165 lbs



This Product Complies With:

- SGS USTC
- IAPMO IGC 194

Measurements:

- Length: 67" (170.2 cm)
- Depth: 31" (78.7 cm)
- Fits 3-1/2" (8.9 cm) Drain
- Height: 23" (58.4 cm)

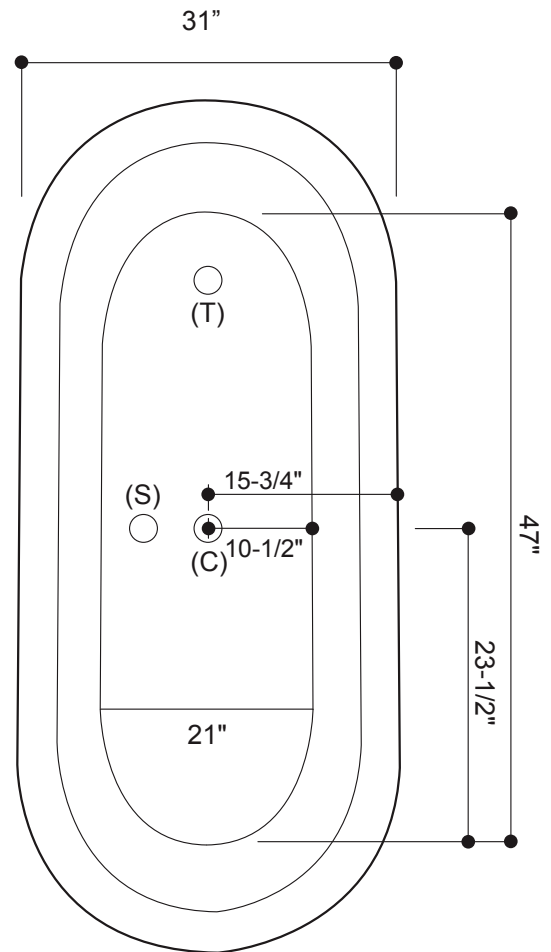
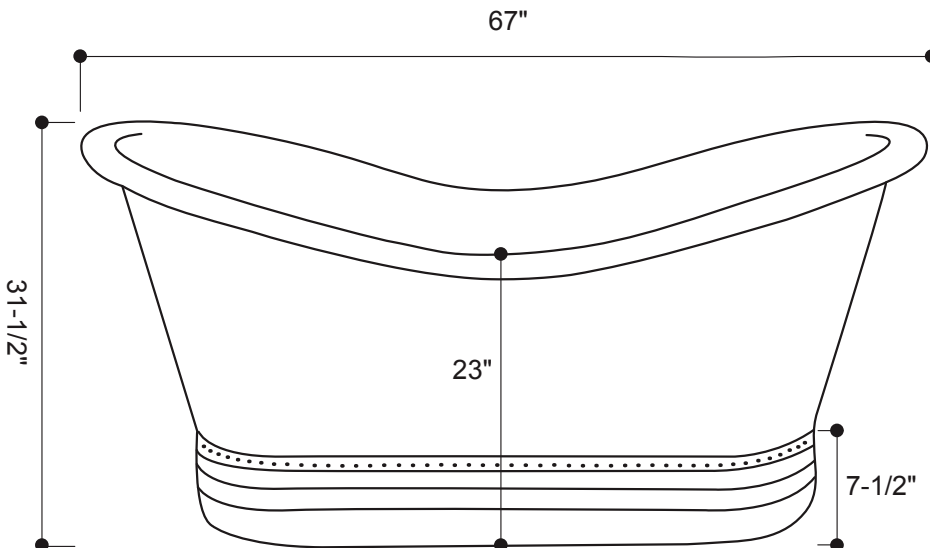
Recommended Accessories:

- Any D'Vontz® Copper Sink

PRODUCT DIMENSIONS

ALL DIMENSIONS ARE APPROXIMATE (+/- 1") AND ARE FOR REFERENCE ONLY.

THE ACTUAL TUB MUST BE USED FOR CUT TEMPLATE AND/OR HOLE PLACEMENT.



Please install this product according to the installation guide and all local plumbing codes.