



# PRODUCT SPECIFICATIONS

*Exclusively Designed* • INTERNATIONALLY RECOGNIZED™

## Nautilus Single Well Model # KS73322{xx}

### Product Features:

- Natural Copper
- Drop-in or Undermount Application
- Without Overflow  
(Non-Overflow Drain Required)
- Flat Edge Only
- Dark Smoke or Shiny Copper Finish



### This Product Complies With:

- SGS USTC
- IAPMO IGC 194

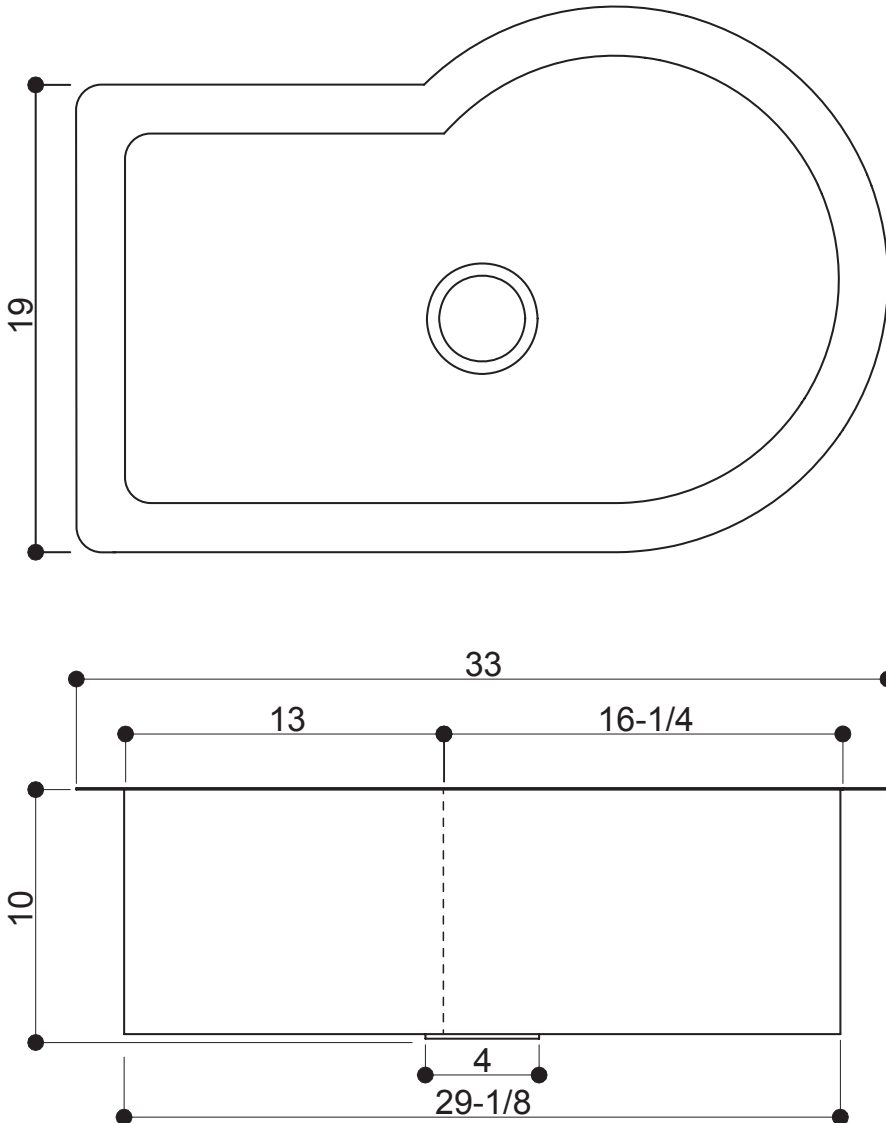
### Measurements:

- Width: 33" (83.8 cm)
- Depth: 22" (55.9 cm)
- Fits 3-1/2" (8.9 cm) Drain
- Height: 10" (25.4 cm)

### Recommended Accessories:

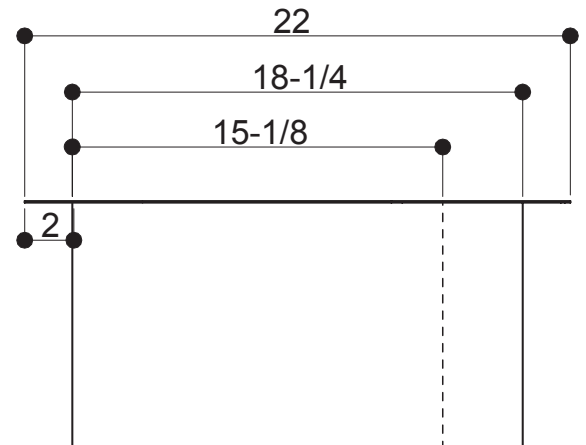
- D'vontz ® Basket Strainer with Stopper
- Disposal Kit

## PRODUCT DIMENSIONS



ALL DIMENSIONS ARE APPROXIMATE (+/- 1/2") AND ARE FOR REFERENCE ONLY.

THE ACTUAL SINK MUST BE USED FOR CUT TEMPLATE AND/OR HOLE PLACEMENT.



Please install this product according to the installation guide and all local plumbing codes.