



# PRODUCT SPECIFICATIONS

*Exclusively Designed* • INTERNATIONALLY RECOGNIZED™

## Plain Hammered 3" Apron

Model # LV6001L15{xx}

### Product Features:

- Natural Copper
- Drop-in Application
- Without Overflow  
(Non-Overflow Drain Required)



### This Product Complies With:

- SGS USTC
- IAPMO IGC 194

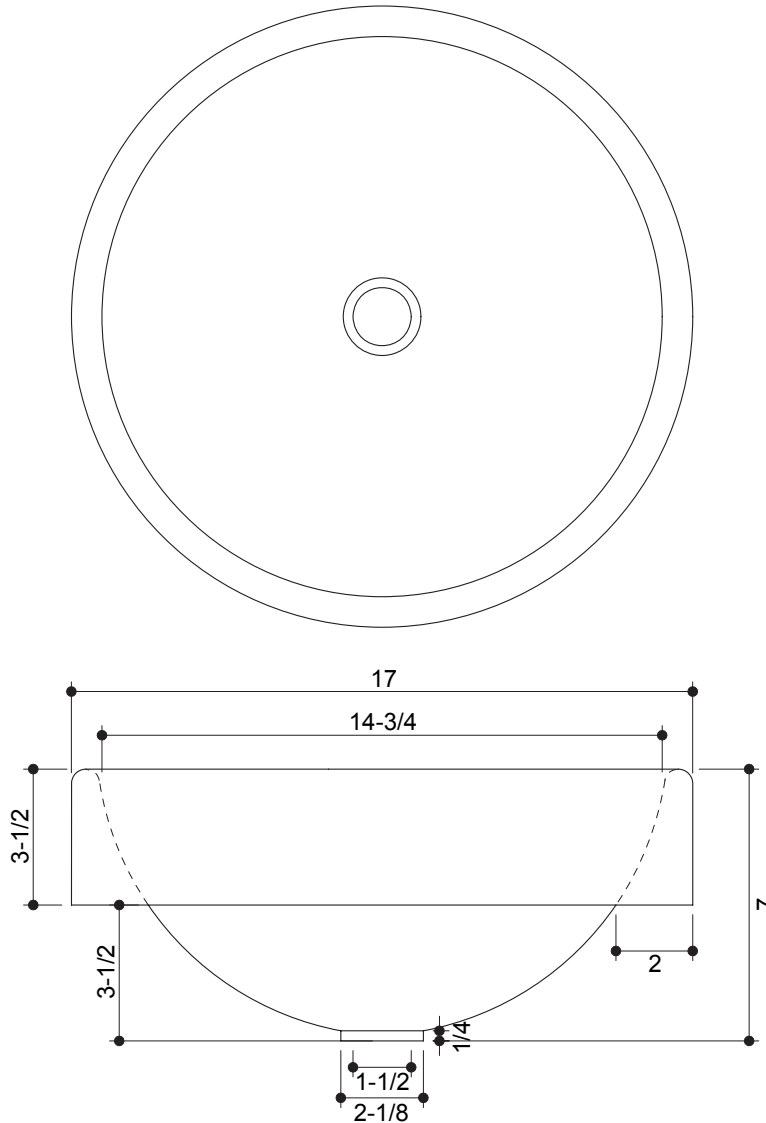
### Measurements:

- Diameter: 17" (43.2 cm)
- Height: 7" (17.8 cm)
- Fits Standard 1-1/4" (3.2 cm) Drain

### Recommended Accessories:

- Any D'vontz ® Lavatory Drain Without Overflow
- Any D'vontz ® Faucet

## PRODUCT DIMENSIONS



ALL DIMENSIONS ARE APPROXIMATE (+/- 1/2") AND ARE FOR REFERENCE ONLY.

THE ACTUAL SINK MUST BE USED FOR CUT TEMPLATE AND/OR HOLE PLACEMENT.

Please install this product according to the installation guide and all local plumbing codes.