



# PRODUCT SPECIFICATIONS

*Exclusively Designed* • INTERNATIONALLY RECOGNIZED™

## Plain Hammered Barrel

Model # LV2019L15{xx}

**Product Features:**

- Natural Copper
- Undermount Application
- Without Overflow  
(Non-Overflow Drain Required)
- Flat Edge



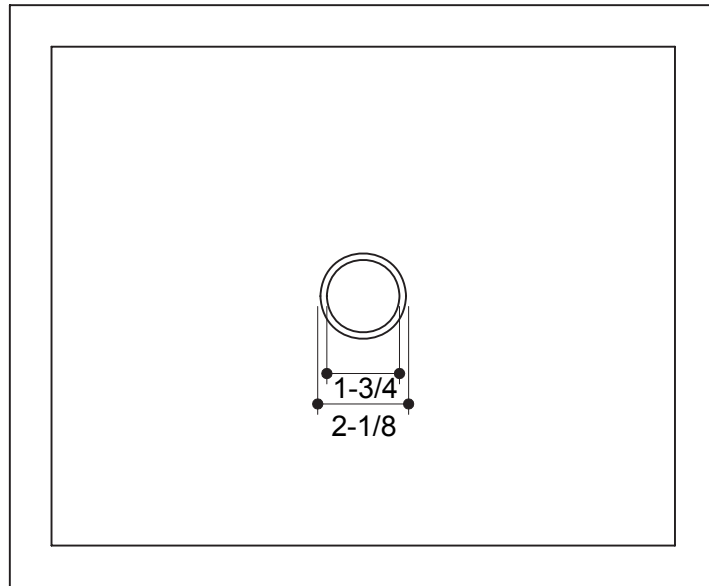
**This Product Complies With:**

- SGS USTC
- IAPMO IGC 194

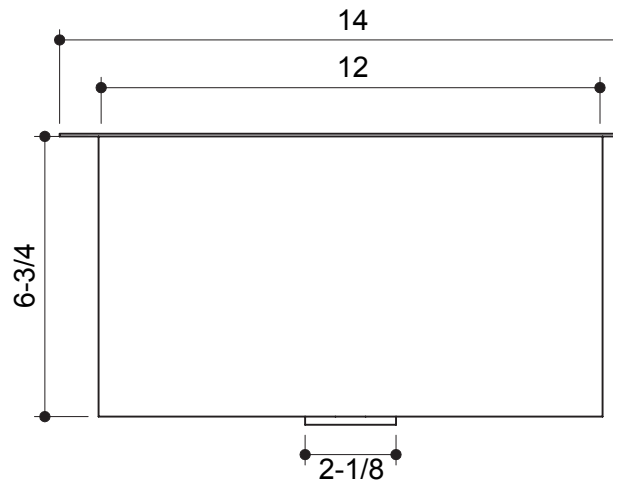
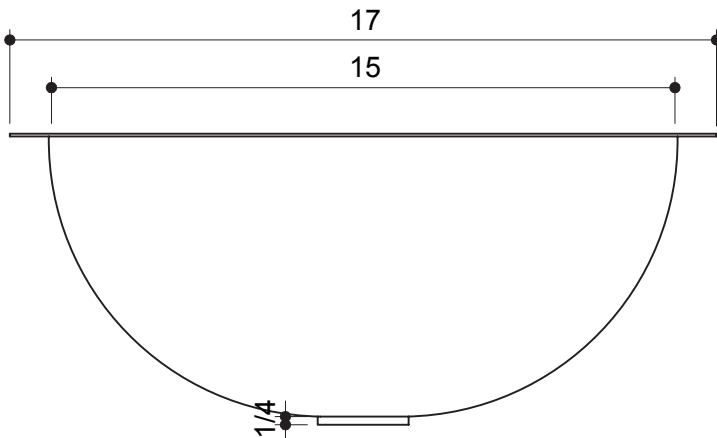
- Measurements:**
- Width: 17" (43.2 cm)
  - Length: 14" (35.6 cm)
  - Fits Standard 1-1/4" (3.2 cm) Drain
  - Height: 7" (17.8 cm)

- Recommended Accessories:**
- Any D'Vontz ® Lavatory Drain Without Overflow
  - Any D'Vontz ® Faucet

### PRODUCT DIMENSIONS



ALL DIMENSIONS ARE APPROXIMATE (+/- 1/2") AND ARE FOR REFERENCE ONLY. THE ACTUAL SINK MUST BE USED FOR CUT TEMPLATE AND/OR HOLE PLACEMENT.



Please install this product according to the installation guide and all local plumbing codes.