



PRODUCT SPECIFICATIONS

Exclusively Designed • INTERNATIONALLY RECOGNIZED™

Tortoise Oval Model # LV1002L15{xx}(zz)

Product Features:

- Natural Copper
- Drop-in, Undermount or Above Counter Application
- Without Overflow (Non-Overflow Drain Required)
- Round or Flat Edge



This Product Complies With:

- SGS USTC
- IAPMO IGC 194

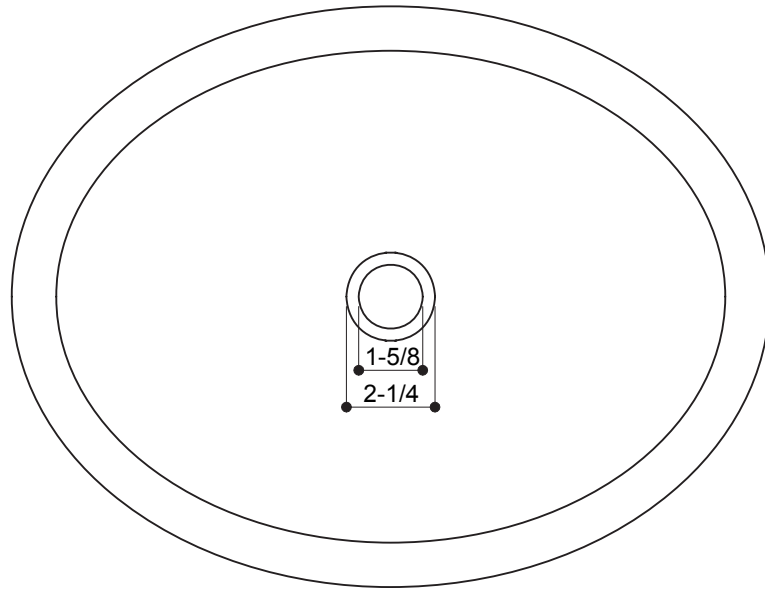
Measurements:

- Width: 19" (48.3 cm)
- Length: 14" (35.6 cm)
- Fits Standard 1-1/4" (3.2 cm) Drain
- Height: 5" (12.7 cm)

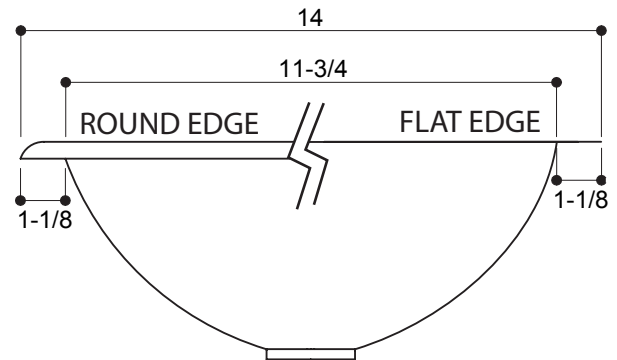
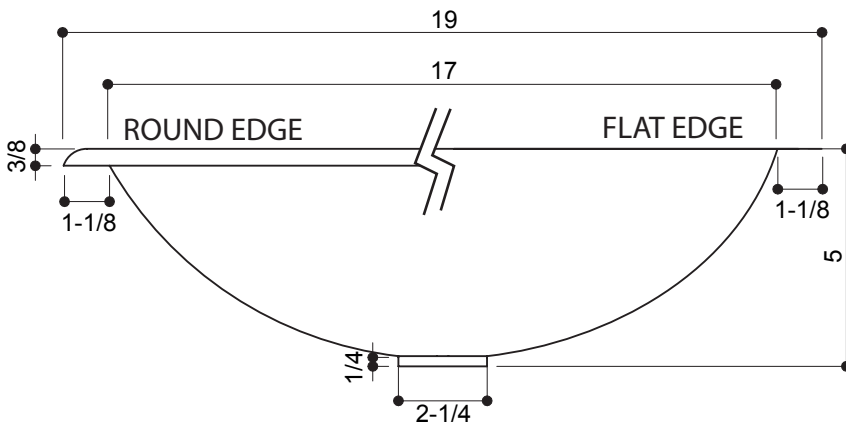
Recommended Accessories:

- Any D'vontz ® Lavatory Drain Without Overflow
- Any D'vontz ® Faucet

PRODUCT DIMENSIONS



ALL DIMENSIONS ARE APPROXIMATE (+/- 1/2") AND ARE FOR REFERENCE ONLY. THE ACTUAL SINK MUST BE USED FOR CUT TEMPLATE AND/OR HOLE PLACEMENT.



Please install this product according to the installation guide and all local plumbing codes.