



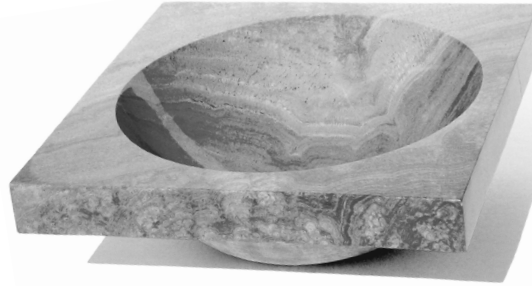
# PRODUCT SPECIFICATIONS

*Exclusively Designed* • INTERNATIONALLY RECOGNIZED™

## Square Apron Model # {xx} - SAP4040

### Product Features:

- Natural Marble
- Drop-In Application
- Without Overflow  
(Non-Overflow Drain Required)



### This Product Complies With:

- SGS USTC
- IAPMO PS 99

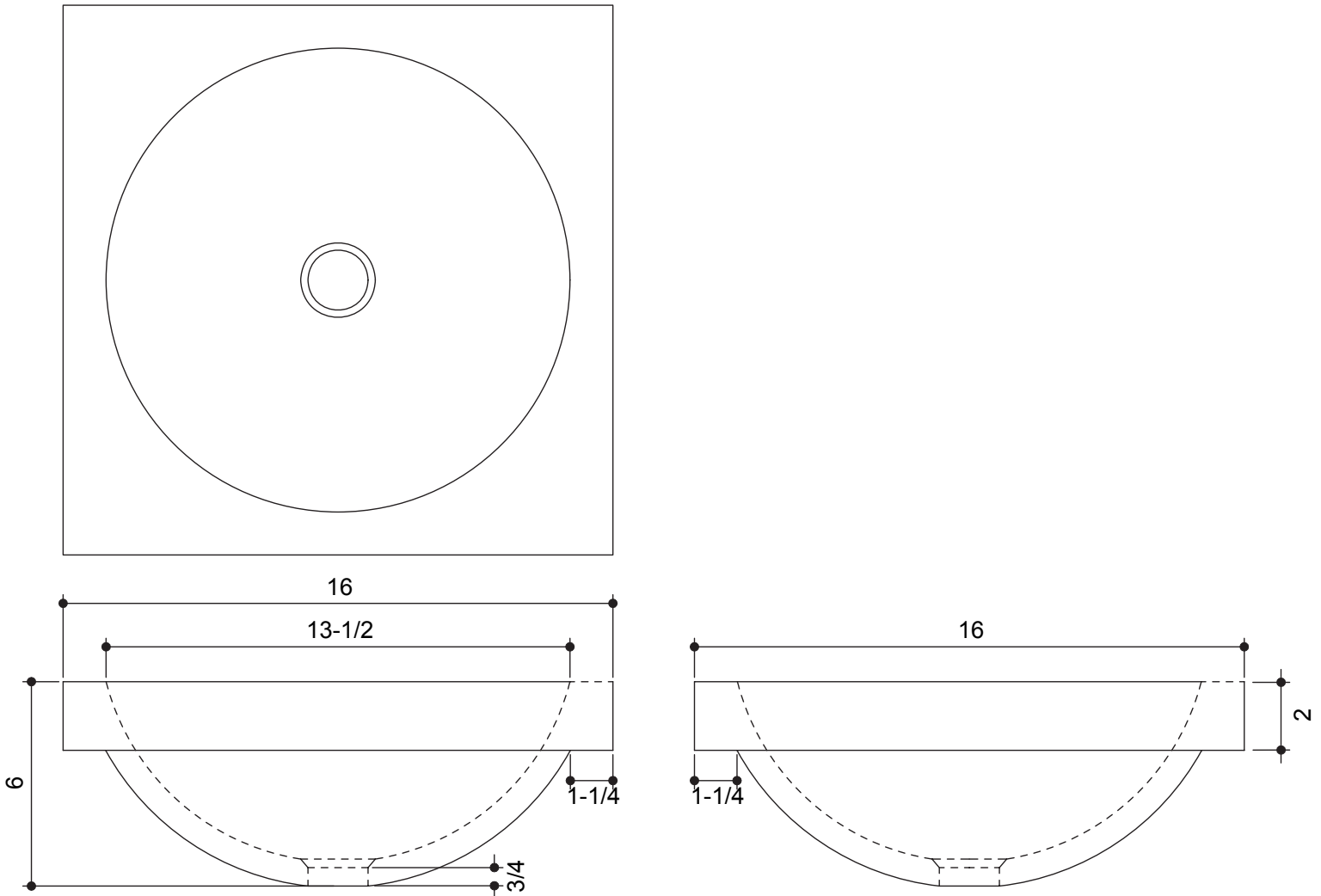
### Measurements:

- Diameter: 16" (40.6 cm)
- Height: 6" (15.2 cm)
- Fits Standard 1-1/4" (3.2 cm) Drain
- Apron height: 2" [5.1 cm]

### Recommended Accessories:

- Any D'vontz ® Lavatory Drain Without Overflow
- Any D'vontz ® Vessel Faucet With Extension

## PRODUCT DIMENSIONS



Please install this product according to the installation guide and all local plumbing codes.