



# PRODUCT SPECIFICATIONS

*Exclusively Designed* • INTERNATIONALLY RECOGNIZED™

## Antigua

### Model # {xx} - AN4310

**Product Features:**

- Natural Marble
- Above Counter Application
- Without Overflow  
(Non-Overflow Drain Required)

**This Product Complies With:**

- SGS USTC
- IAPMO PS 99



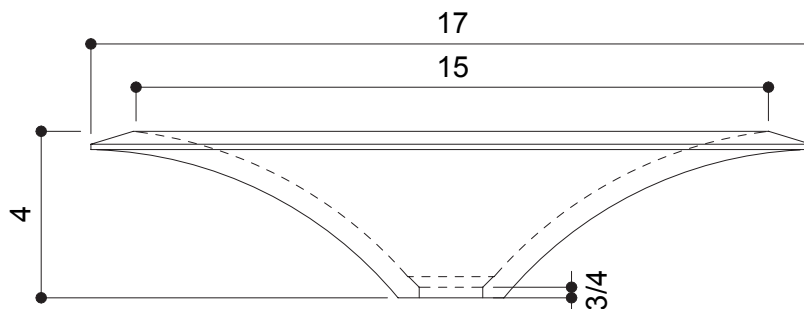
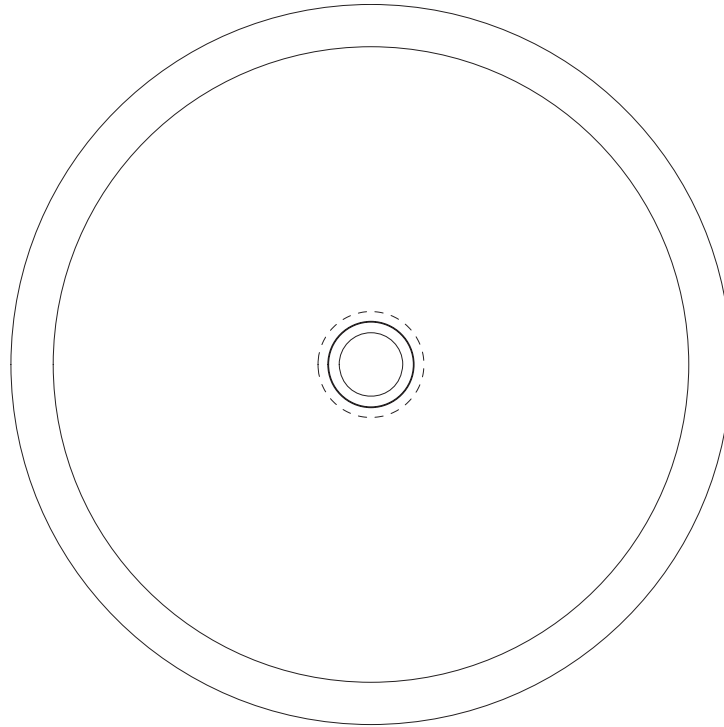
**Measurements:**

- Diameter: 17" (43.2 cm)
- Height: 4" (10.2 cm)
- Fits Standard 1-1/4" (3.2 cm) Drain

**Recommended Accessories:**

- Any D'vontz ® Lavatory Drain Without Overflow
- Any D'vontz ® Vessel Faucet With Extension

### PRODUCT DIMENSIONS



Please install this product according to the installation guide and all local plumbing codes.