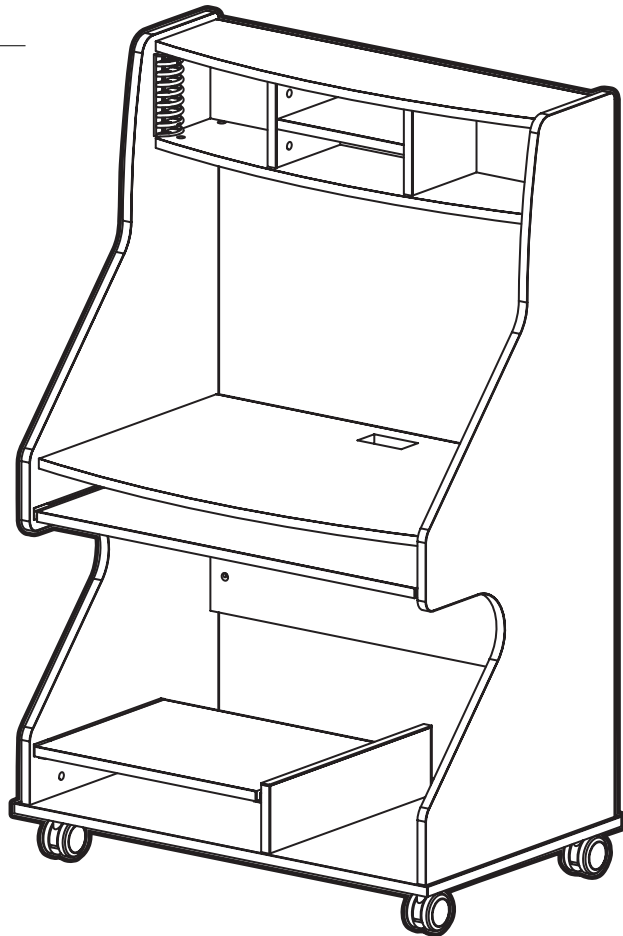




TCW

TOWER COMPUTER STATION



IMPORTANT!

Assembly may require the assistance of another person.

Before you begin assembly:

READ THE DIRECTIONS all the way through one time. This will speed up the process and help you understand the sequence of steps.

COUNT THE PARTS AND HARDWARE before assembly. This ensures you have received all necessary parts before you begin.

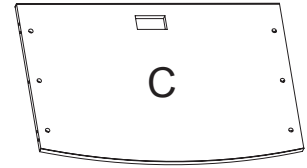
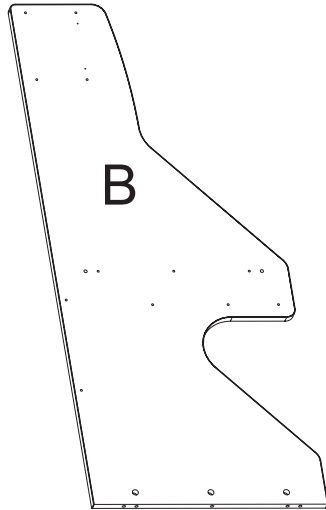
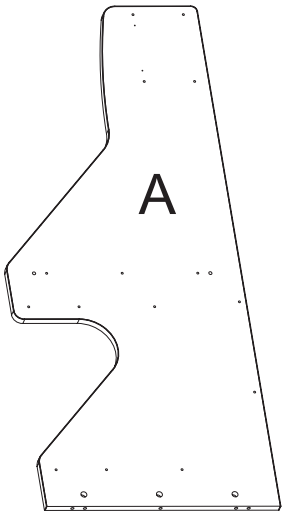
TOOLS: You may need a Phillips head screwdriver, a medium slotted screwdriver or a plastic mallet. To protect your new furniture from damage during assembly, it is recommended to work on a carpeted surface.

In the event any parts are missing from this package, send your name, address, telephone number, and a description of the missing part(s) to: **PARTS, Box 1420, Missoula, MT 59806** or call: **1-800-769-5693** or **FAX 1-800-445-5281**.

CAUTION: On assemblies requiring glue, make sure the unit is assembled correctly before gluing. Once this unit is assembled with glue, the manufacturer will not be responsible for damaged parts. Keep a damp cloth or sponge handy to wipe off excess glue.

To care for this furniture, simply wipe with a cloth dampened with glass cleaner containing ammonia-D.

PARTS DIAGRAM



Monitor Shelf	05831331	1 ea.
---------------	----------	-------



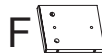
Back	05831360	1 ea.
------	----------	-------

Left Side Panel	05831341	1 ea.
-----------------	----------	-------

Right Side	05831341	1 ea.
------------	----------	-------



Bottom	05831311	1 ea.
--------	----------	-------



Hutch Divider	05831345	2 ea.
---------------	----------	-------



Divider	05831344	1 ea.
---------	----------	-------



Horizontal Panel	05831305	2 ea.
------------------	----------	-------



Hutch Back	05831357	1 ea.
------------	----------	-------



Keyboard Shelf	05831328	1 ea.
----------------	----------	-------



Hutch Shelf	05831336	1 ea.
-------------	----------	-------



Printer Shelf	05831329	1 ea.
---------------	----------	-------

HARDWARE



H1	Minifix Cam	909810	30 ea.
----	-------------	--------	--------



H2	Wood Dowel	195000	24 ea.
----	------------	--------	--------



H3	Minifix Bolt	909834	30 ea.
----	--------------	--------	--------



H4	#6x5/8" Panhead Screw	901216	8 ea.
----	--------------------------	--------	-------



H6	Varianta Screw	988060	12 ea.
----	----------------	--------	--------



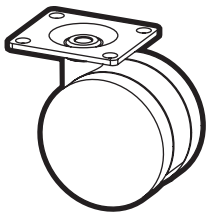
H5	CD Rack	286420	2 ea.
----	---------	--------	-------



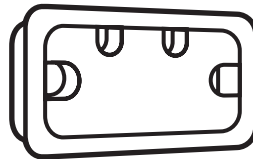
H8	#14x3/4" Panhead Screw	901241	20 ea.
----	---------------------------	--------	--------



H9	#6x5/8" Flathead Screw	901120	4 ea.
----	---------------------------	--------	-------



H7	Caster	402640	5 ea.
----	--------	--------	-------

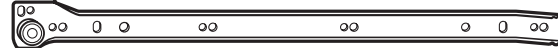


H10	Grommet	286580	1 ea.
-----	---------	--------	-------

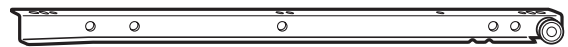
S1



S2



Shelf Slide	490260	2 pr.
-------------	--------	-------



S3



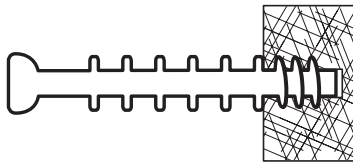
S4

Slide Channel	490260	2 pr.
---------------	--------	-------

Using the Minifix System:

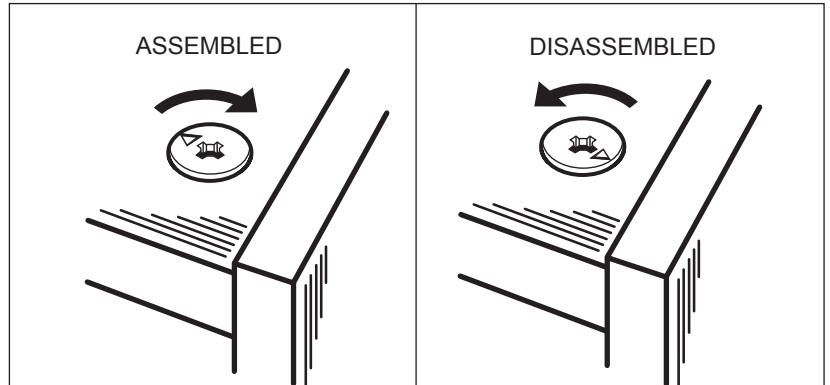
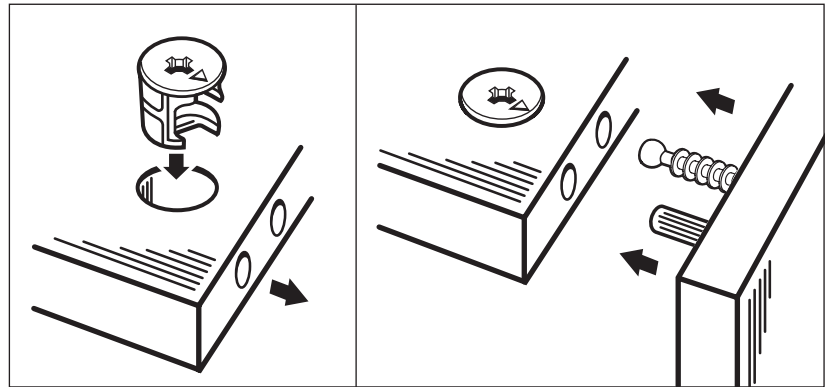
Insert the Minifix Cams into the appropriate holes with the arrow facing outwards as shown.

When screwing post into hole, **Do Not** over tighten. Screw post down until bottom face of post flange just touches board surface.



Using the #2 Phillips screwdriver, rotate the Cam Devices a half turn clockwise until snug.

To disassemble, turn the Cam Devices counter-clockwise and remove panels.



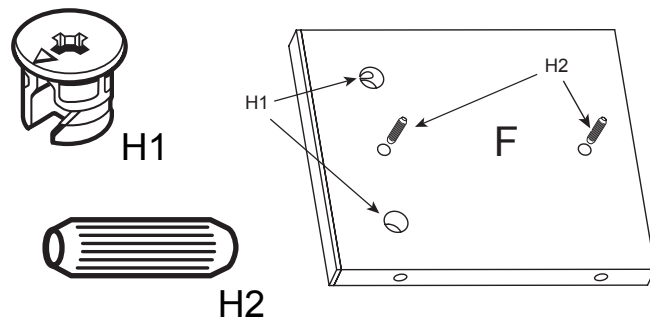
#1

Place the Divider (G) on a clean, carpeted surface with the pre-drilled holes facing up. Insert two Minifix Cams (H1) into the Divider with the arrows of the cams facing out.



#2

Place both Hutch Dividers (F) with the pre-drilled holes facing up. Insert two Minifix Cams (H1) into each Hutch Divider with the arrows of the cams facing out. Insert two Wood Dowels (H2) as shown.

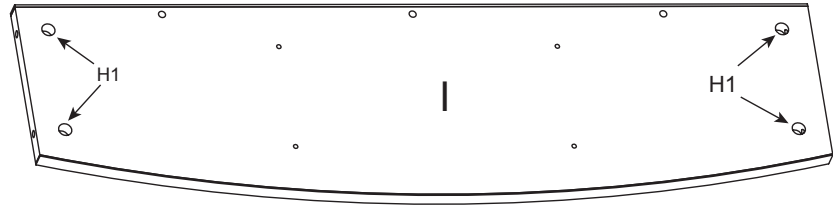


#3

Insert four Minifix Cams (H1) into each Horizontal Panel (I) with the arrows of the cams facing out.



H1



#4

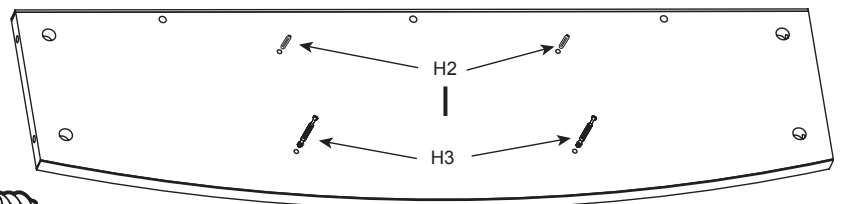
Insert two Dowels (H2) and screw two Minifix bolts (H3) into each Horizontal Panel (I) where indicated.



H2



H3

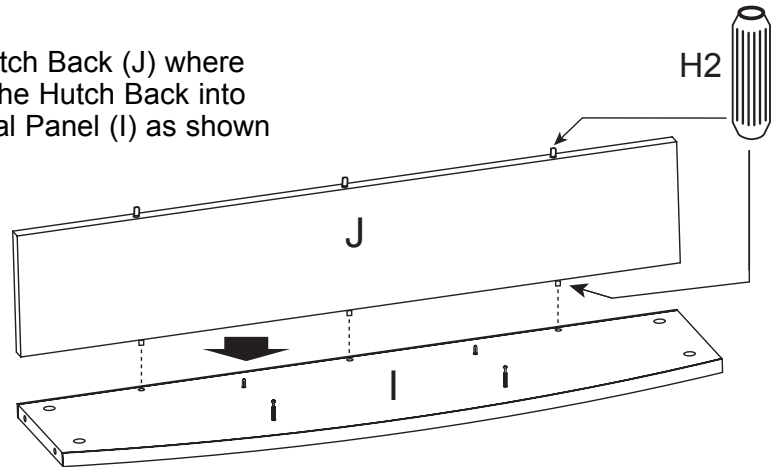


#5

Insert six Dowels (H2) into the Hutch Back (J) where indicated. Position the dowels of the Hutch Back into the pre-drilled holes of a Horizontal Panel (I) as shown and press into place.

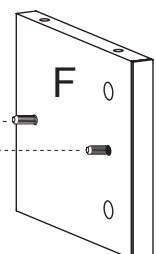
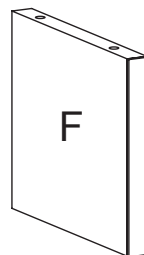


H2



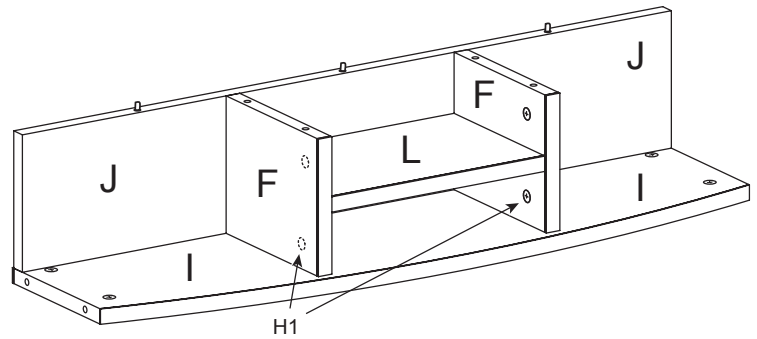
#6

Position the Hutch Shelf (L) between the Hutch Dividers (F) as shown and press into place.



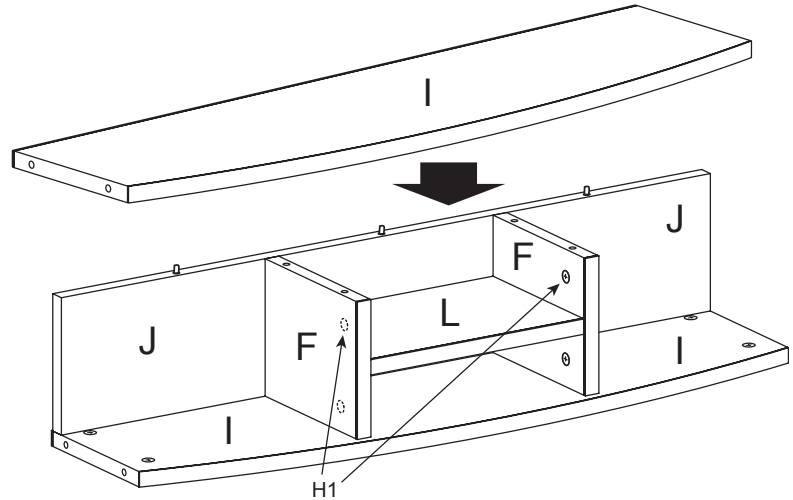
#7

Position the Hutch Divider (F) and Hutch Shelf (L) assembly onto the bolts of the Horizontal Panel (I) as shown. Turn the cams (H1) of the Hutch Dividers clockwise to secure in place.



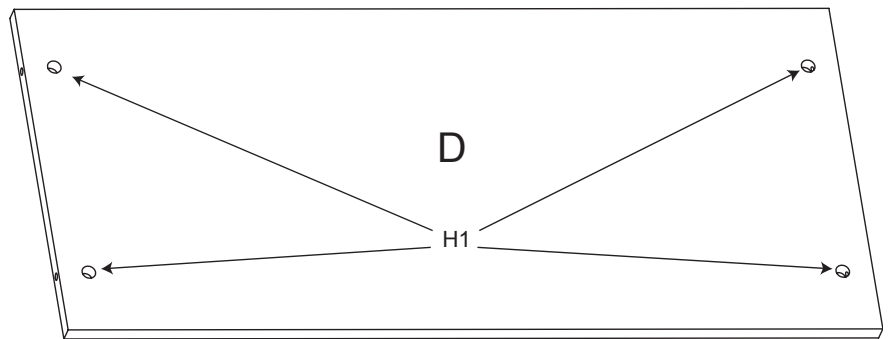
#8

Position the bolts of the other Horizontal Panel (I) into the corresponding cams of the Hutch Dividers (F) as shown. Turn the cams (H1) clockwise to secure in place.



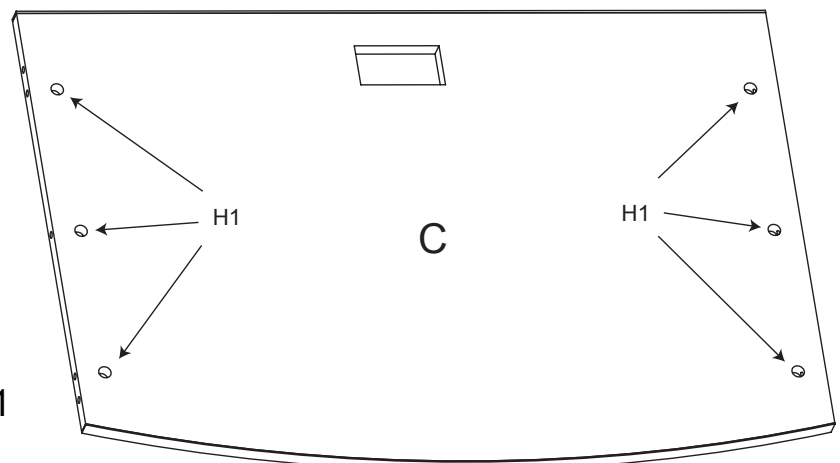
#9

Insert four Minifix Cams (H1) into the Back (D) with the arrows of the cams facing out.



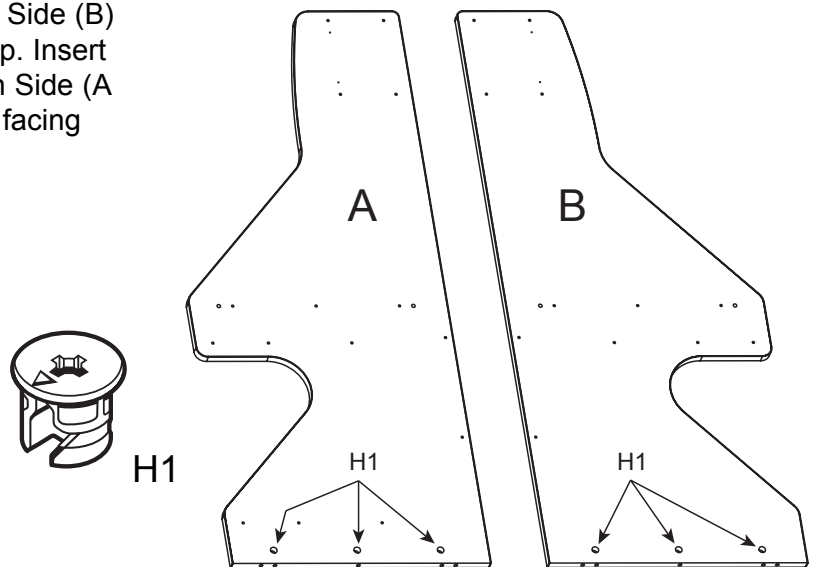
#10

Insert six Minifix Cams (H1) into the Monitor Shelf (C) with the arrows of the cams facing out.



#11

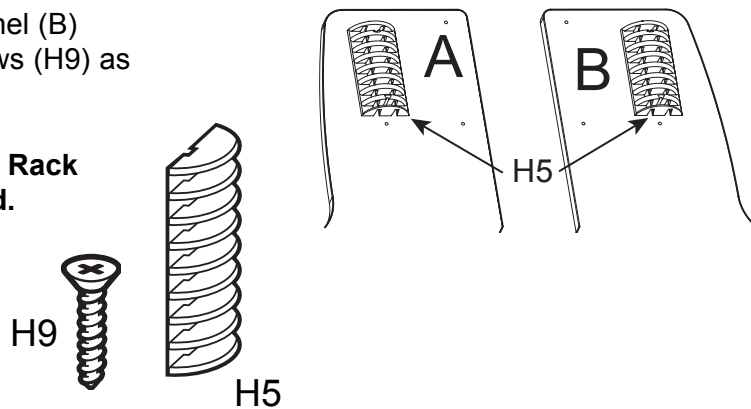
Place the Left Side (A) and Right Side (B) with the pre-drilled holes facing up. Insert three Minifix Cams (H1) into each Side (A & B) with the arrows of the cams facing out.



#12

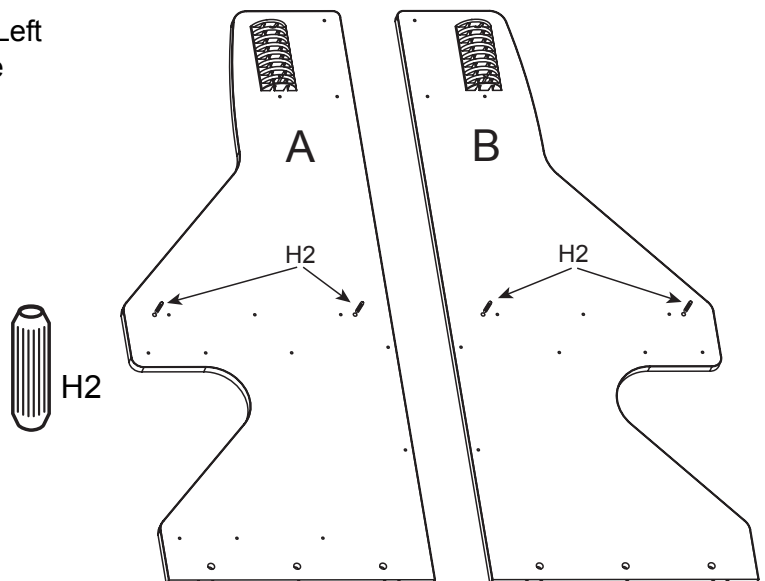
Attach a CD Rack (H5) to the Left Side Panel (A) and Right Side Panel (B) using #6x5/8" Flathead Screws (H9) as shown.

NOTE: The nubs on the CD Rack should face up as indicated.



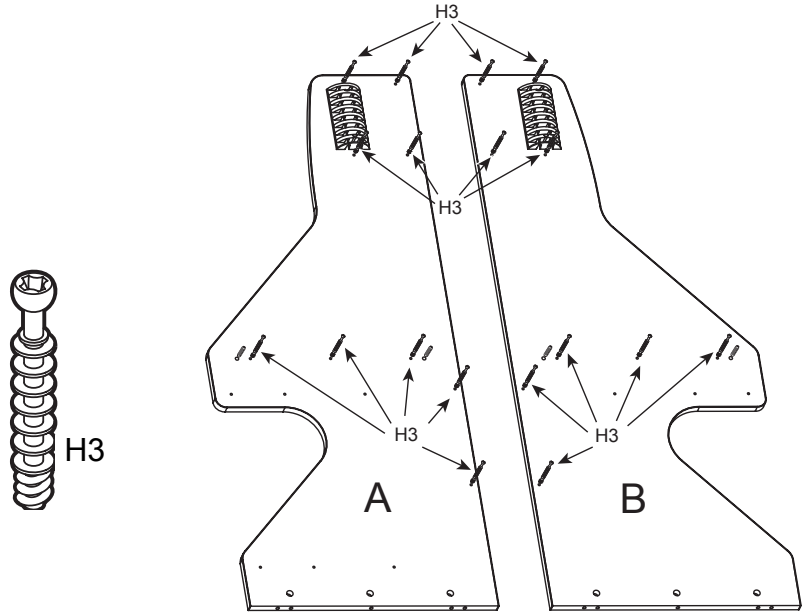
#13

Insert two Dowels (H2) each into the Left Side (A) and the Right Side (B) where indicated.



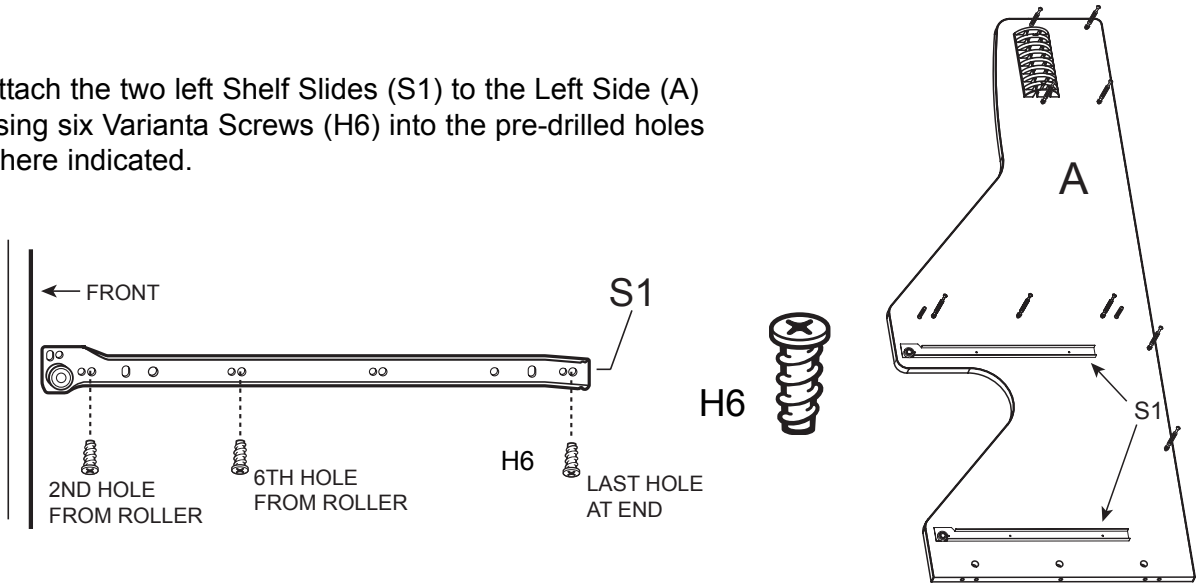
#14

Screw nine Minifix Bolts (H3) into the Left Side (A) and the Right Side (B) where indicated.



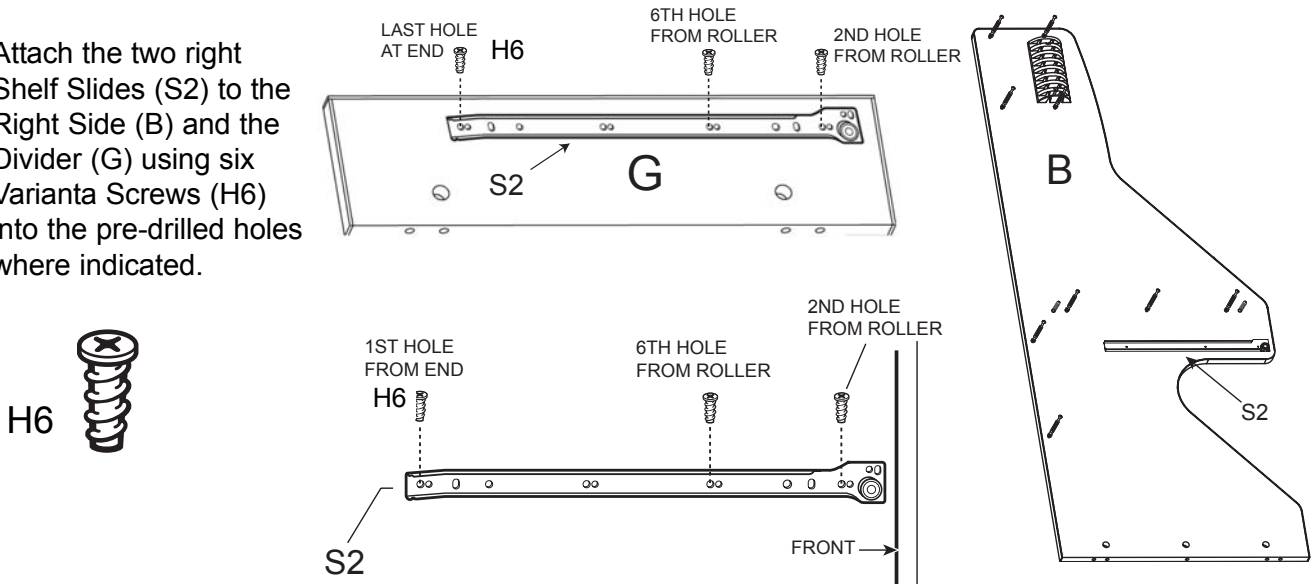
#15

Attach the two left Shelf Slides (S1) to the Left Side (A) using six Varianta Screws (H6) into the pre-drilled holes where indicated.



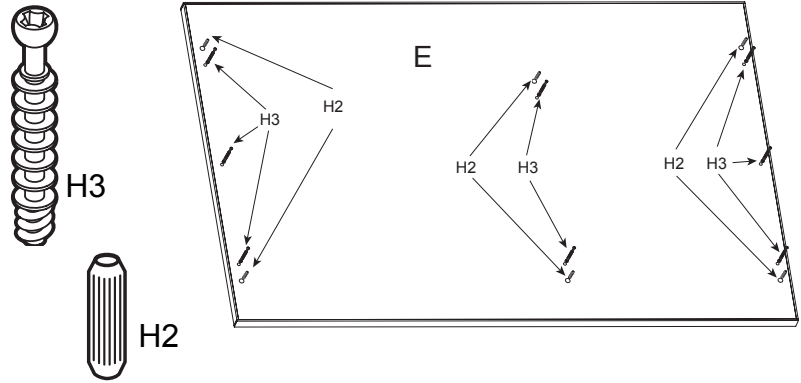
#16

Attach the two right Shelf Slides (S2) to the Right Side (B) and the Divider (G) using six Varianta Screws (H6) into the pre-drilled holes where indicated.



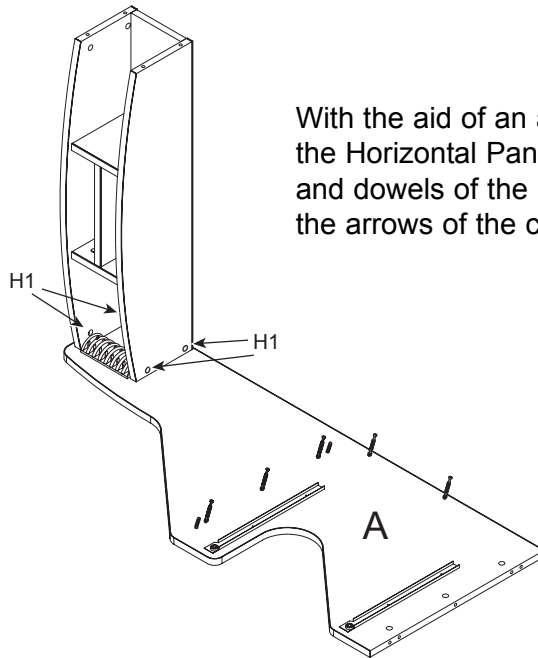
#17

Place the Bottom (E) with the top surface facing up. Insert six Dowels (H2) and screw eight Minifix Bolts (H3) into the Bottom (E) as shown.



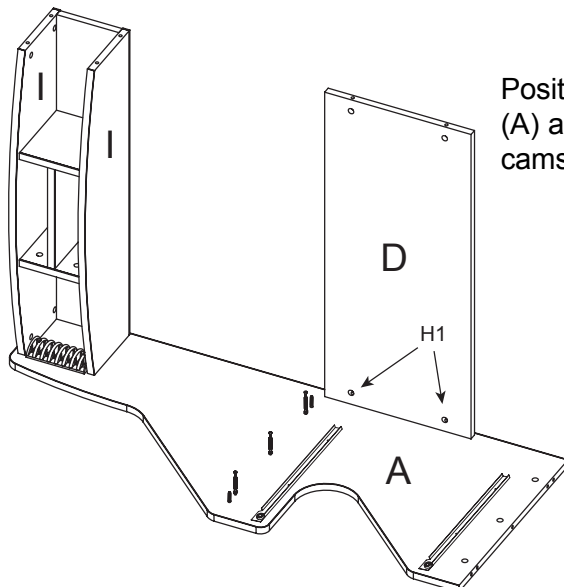
#18

With the aid of an assistant, position the cams of the Horizontal Panel (I) assembly onto the bolts and dowels of the Left Side (A) as shown. Turn the arrows of the cams (H1) clockwise to secure.



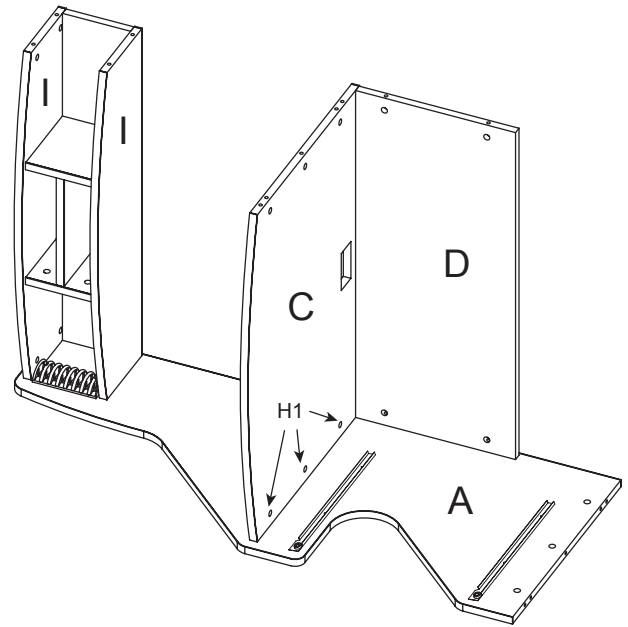
#19

Position the Back (D) onto the Left Side (A) as shown and turn the arrows of the cams (H1) clockwise to secure.

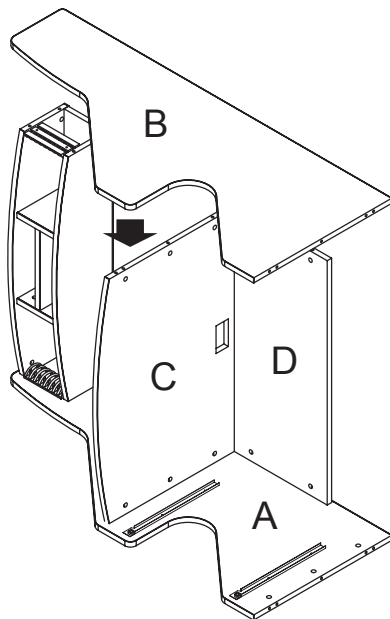


#20

Position the Monitor Shelf (C) with the front edge as shown onto the Left Side (A). Turn the arrows of the cams (H1) clockwise to secure.



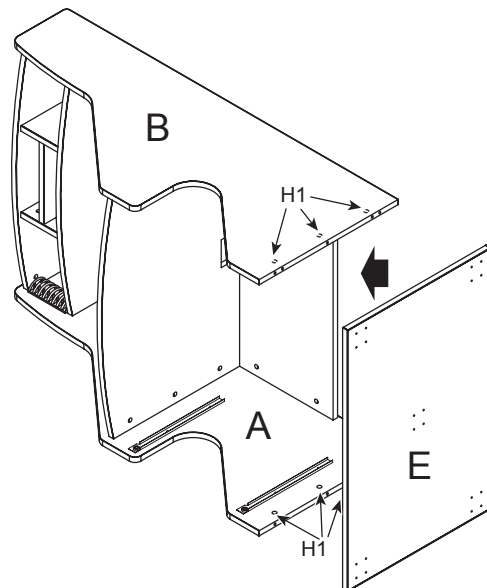
#21



With the help of an assistant, position the bolts and dowels of the Right Side (B) into the cams of the Horizontal Panels (I), Back (D), and Monitor Shelf (C) as shown. Turn the arrows of the cams (H1) clockwise to secure in place.

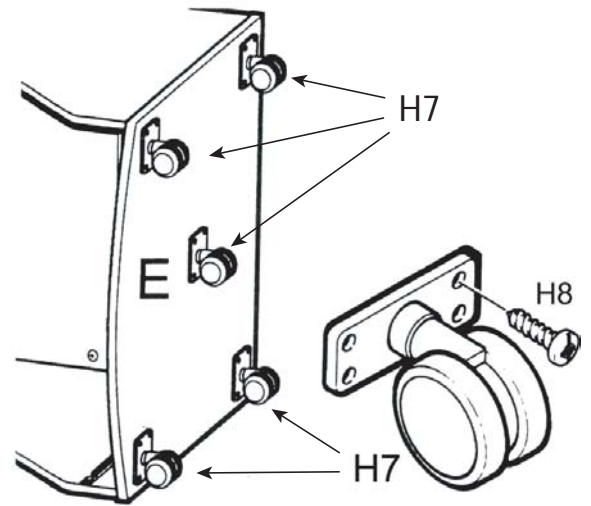
#22

Position the bolts and dowels of the Bottom (E) into the cams of the Left Side (A) and Right Side (B) as shown. Turn the arrows of the cams (H1) clockwise to secure in place.

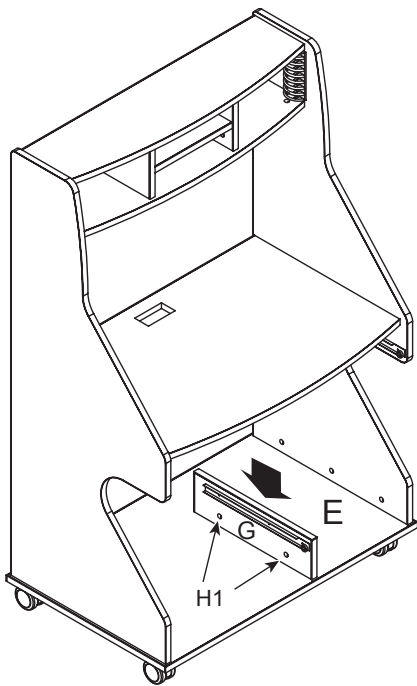


#23

Attach the five Casters (H7) to the Bottom (E) using the #14x3/4" Panhead Screws (H8) in the pre-drilled holes as shown.



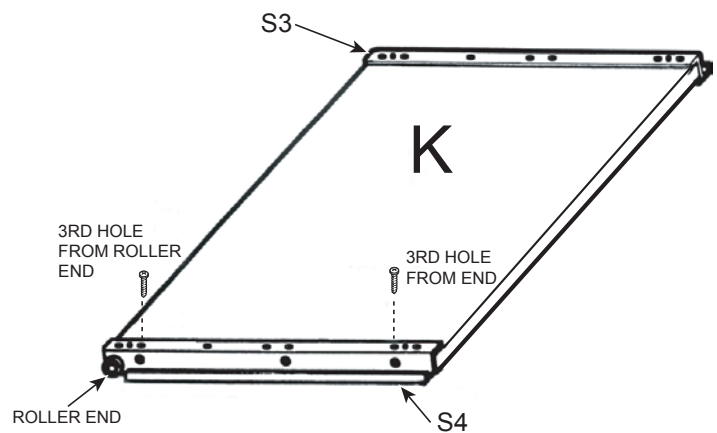
#24



With the assistance of another person, turn the unit upright. Position the Divider (G) onto the Bottom (E) as shown and turn the cams (H1) clockwise to secure.

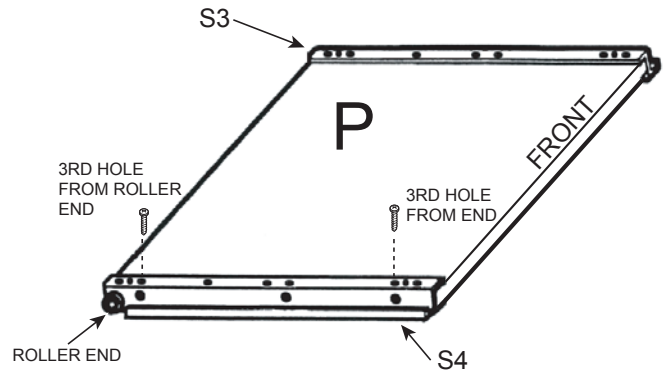
#25

Place the Keyboard Shelf (K) with the pre-drilled holes facing up as shown. Attach left and right Slide Channels (S3 & S4) using the #6x5/8" Panhead Screws (H4) as shown.



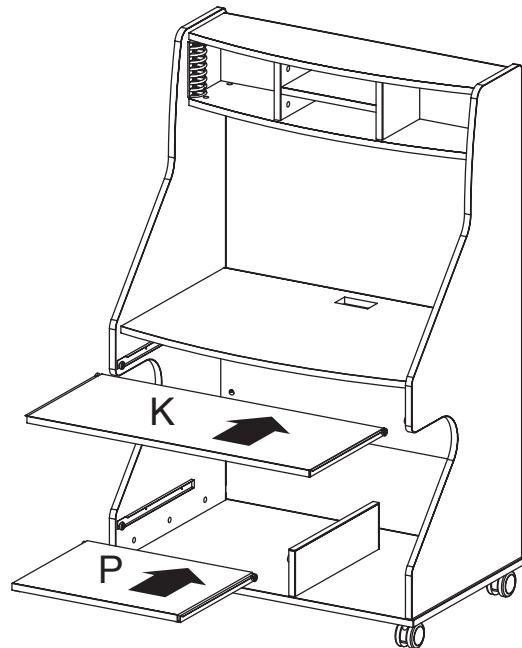
#26

Place the Printer Shelf (P) with the pre-drilled holes facing up as shown. Attach left and right Slide Channels (S3 & S4) using the #6x5/8" Panhead Screws (H4) as shown.



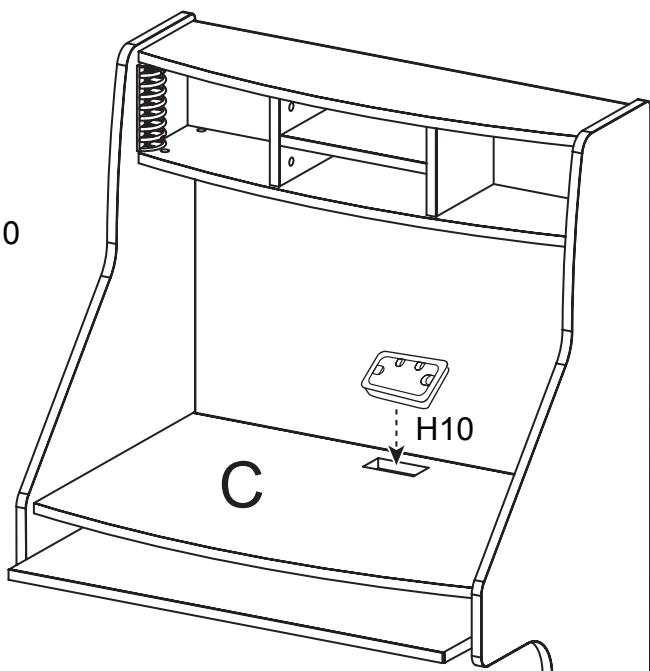
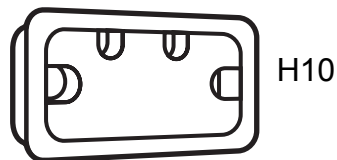
#27

Slide the Keyboard Shelf (K) and the Printer Shelf (P) into the corresponding slide channels of the unit as shown.



#28

Insert a Grommet (H10) into the Monitor Shelf (C).



Assembly of your Tower Computer Station is now complete.