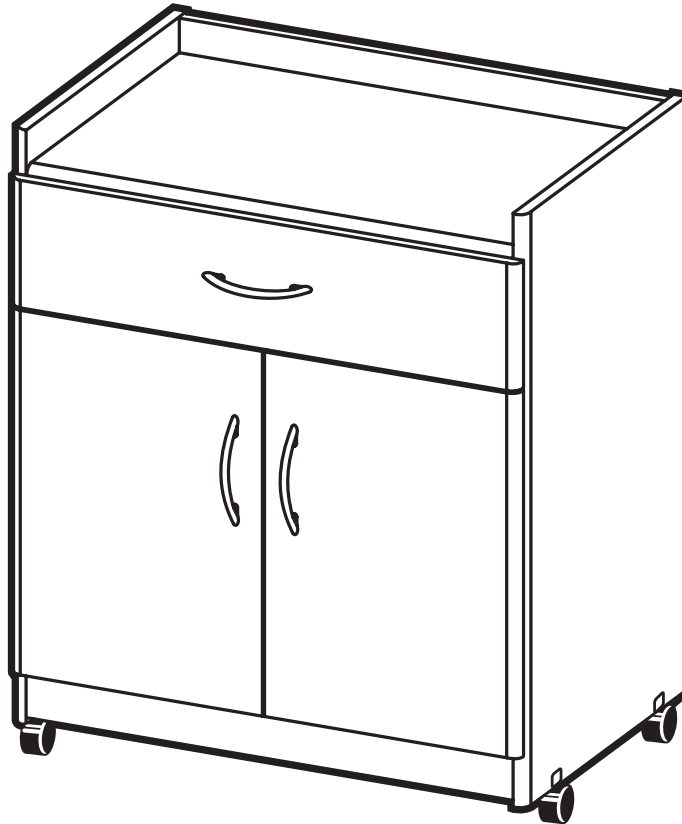




DMS

DELUXE MACHINE STAND



IMPORTANT!

Assembly may require the assistance of another person.

Before you begin assembly:

READ THE DIRECTIONS all the way through one time. This will speed up the process and help you understand the sequence of steps.

COUNT THE PARTS AND HARDWARE before assembly. This ensures you have received all necessary parts before you begin.

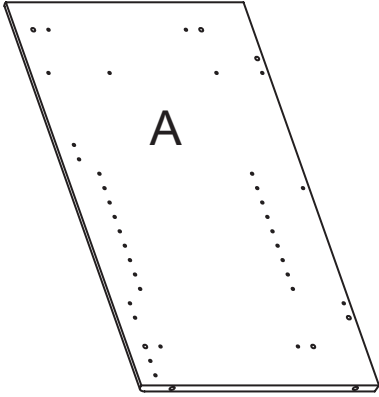
TOOLS: You may need a Phillips head screwdriver, a medium slotted screwdriver or a plastic mallet. To protect your new furniture from damage during assembly, it is recommended to work on a carpeted surface.

In the event any parts are missing from this package, send your name, address, telephone number, and a description of the missing part(s) to: PARTS, Box 1420, Missoula, MT 59806 or call: 1-800-769-5693 or FAX 1-800-445-5281.

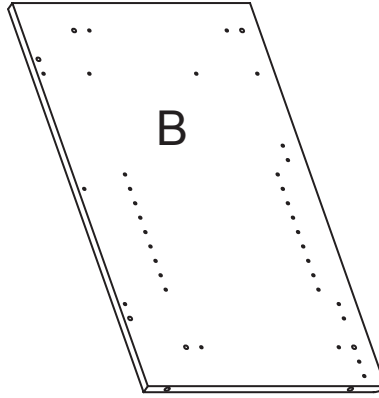
CAUTION: On assemblies requiring glue, make sure the unit is assembled correctly before gluing. Once this unit is assembled with glue, the manufacturer will not be responsible for damaged parts. Keep a damp cloth or sponge handy to wipe off excess glue.

To care for this furniture, simply wipe with a cloth dampened with glass cleaner containing ammonia-D.

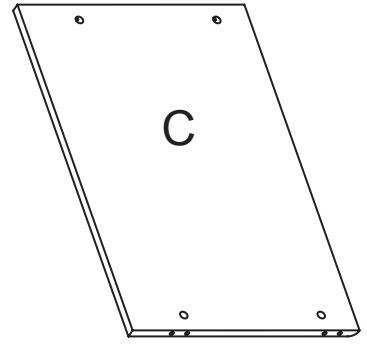
PARTS DIAGRAM



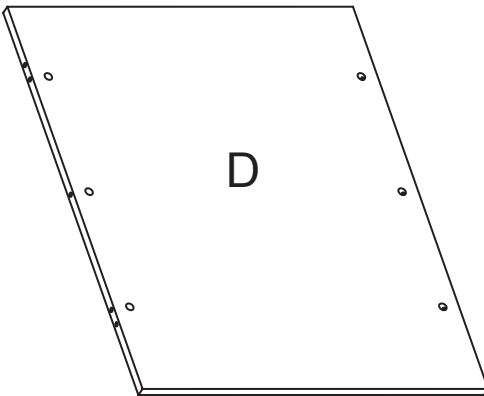
Left Side	05850841	1 ea.
-----------	----------	-------



Right Side	05850841	1 ea.
------------	----------	-------



Top	0585081	1 ea.
-----	---------	-------



Back	05850852	1 ea.
------	----------	-------



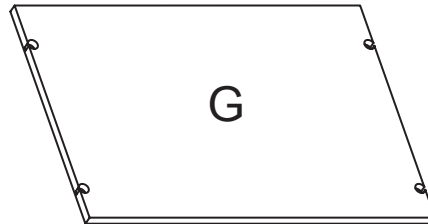
Bottom	0585081	1 ea.
--------	---------	-------



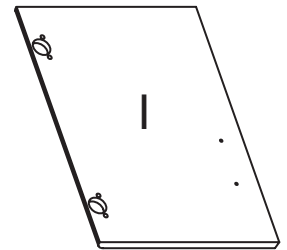
Toe Space	05850872	1 ea.
-----------	----------	-------



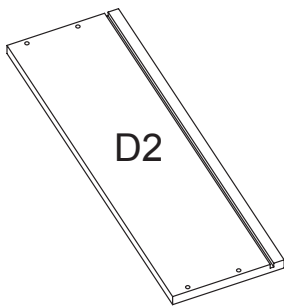
Drawer Side	068270	2 ea.
-------------	--------	-------



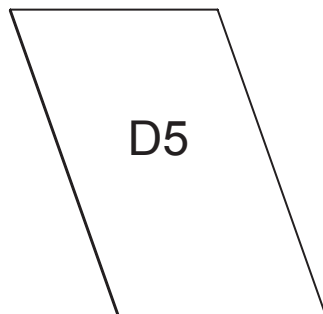
Shelf	05850824	1 ea.
-------	----------	-------



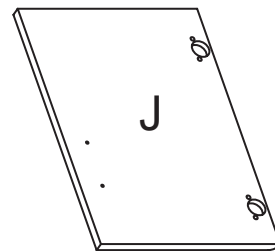
Left Door	05850874	1 ea.
-----------	----------	-------



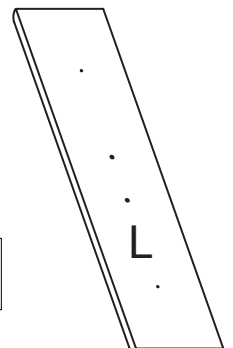
Drawer End	068070	2 ea.
------------	--------	-------



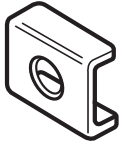
Drawer Bottom	191665	1 ea.
---------------	--------	-------



Right Door	05850874	1 ea.
------------	----------	-------



Drawer Front	05850863	1 ea.
--------------	----------	-------



H1	Caster U-Bracket	402303	4 ea.
----	------------------	--------	-------



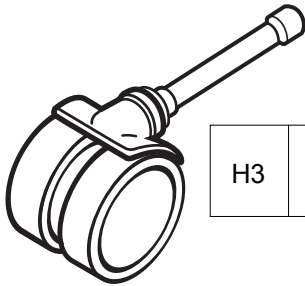
H4	Minifix Bolt	909834	14 ea.
----	--------------	--------	--------



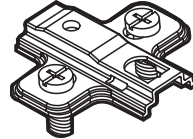
H2	Caster Socket	402301	4 ea.
----	---------------	--------	-------



H5	Wood Dowel	195000	12 ea.
----	------------	--------	--------



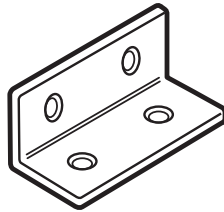
H3	Caster (2 locking)	402290	4 ea.
----	-----------------------	--------	-------



H6	Hinge Plate	400201	4 ea.
----	-------------	--------	-------



H7	Varianta Screw	988060	14 ea.
----	----------------	--------	--------



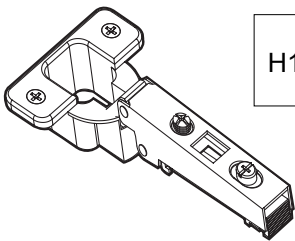
H9	Angle Bracket	401170	2 ea.
----	---------------	--------	-------



H10	Rafix Cam	909910	4 ea.
-----	-----------	--------	-------



H8	Minifix Cam	909810	14 ea.
----	-------------	--------	--------



H12	Hinge	400200	4 ea.
-----	-------	--------	-------



H11	Rafix Bolt	909923	4 ea.
-----	------------	--------	-------



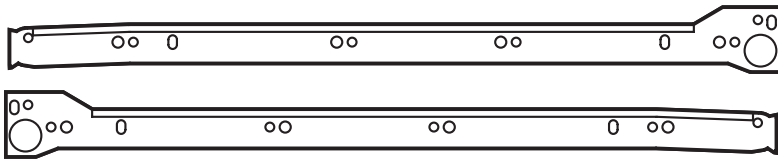
H13	Bumper Stick-ons	298032	2 ea.
-----	---------------------	--------	-------



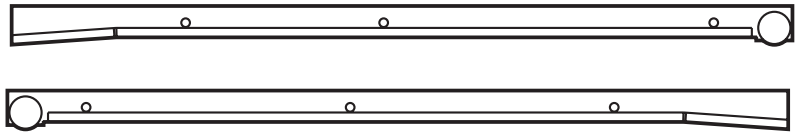
H14	Drawer/Door Pull	400870	3 ea.
-----	---------------------	--------	-------



H15	1" Washerhead Screw	920200	6 ea.
-----	------------------------	--------	-------



S1	18" Slide	490296	2 ea.
----	-----------	--------	-------



S2	18" Slide	490296	2 ea.
----	-----------	--------	-------



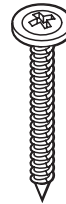
H16	Glue	295020	1 ea.
-----	------	--------	-------



H17	Confirmat Screw	950100	8 ea.
-----	-----------------	--------	-------



H20	Phillips Flathead Screw	901119	6 ea.
-----	-------------------------	--------	-------

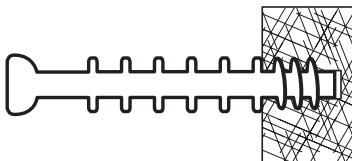


H19	1-1/2" Washerhead Screw	920202	2 ea.
-----	-------------------------	--------	-------

Using the Minifix System:

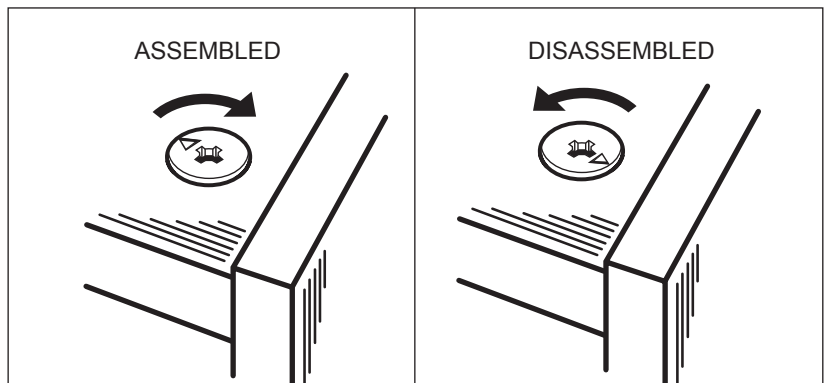
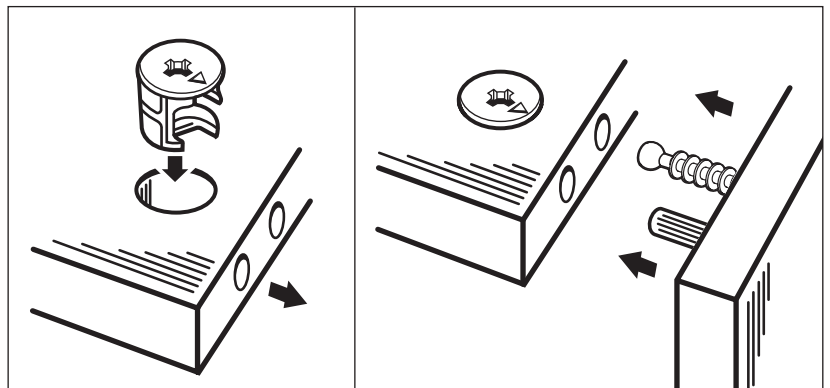
Insert the Minifix Cams into the appropriate holes with the arrow facing outwards as shown.

When screwing post into hole, **Do Not** over tighten. Screw post down until bottom face of post flange just touches board surface.



Using the #2 Phillips screwdriver, rotate the Cam Devices a half turn clockwise until snug.

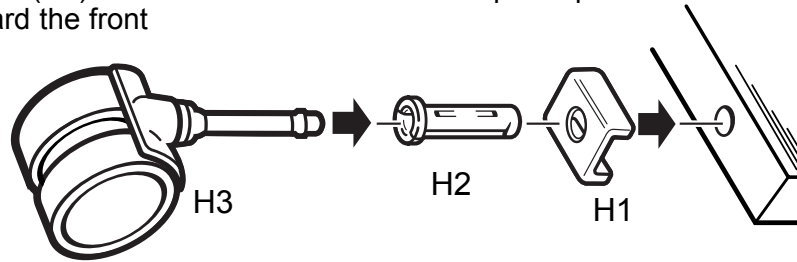
To disassemble, turn the Cam Devices counter-clockwise and remove panels.



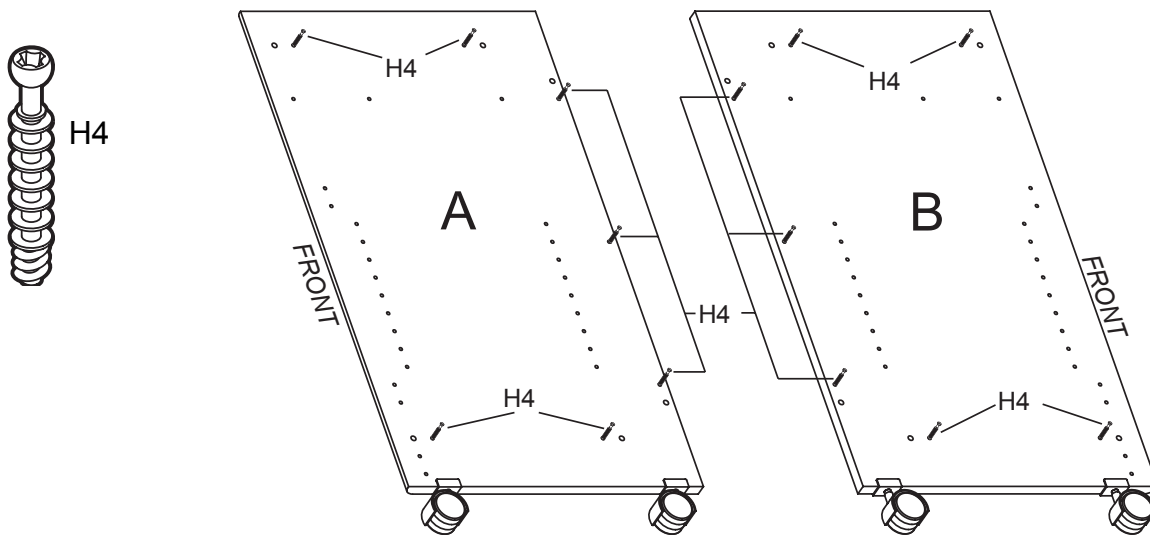
#1

Place Caster Brackets (H1) over the holes in the bottoms of each Side (A and B). Insert Caster Sockets (H2) and tap until bottomed out against the Caster Brackets as shown.

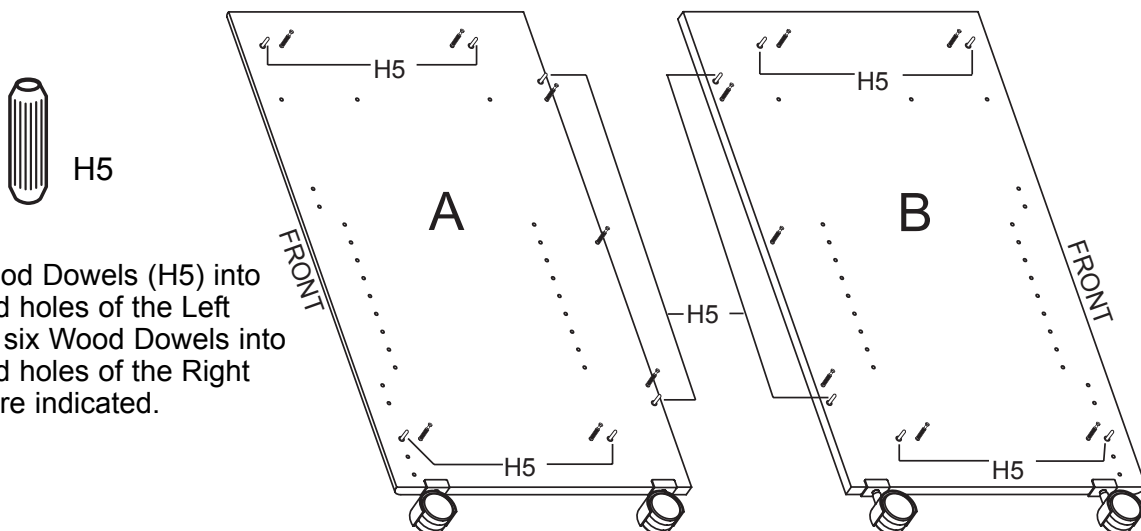
Insert Casters (H3) into the Caster Sockets and tap into place as shown. Put the two locking casters toward the front

**#2**

Screw seven Minifix Bolts (H4) into the pre-drilled holes of Left Side (A) and seven Minifix Bolts into the pre-drilled holes of Right Side (B) where indicated.

**#3**

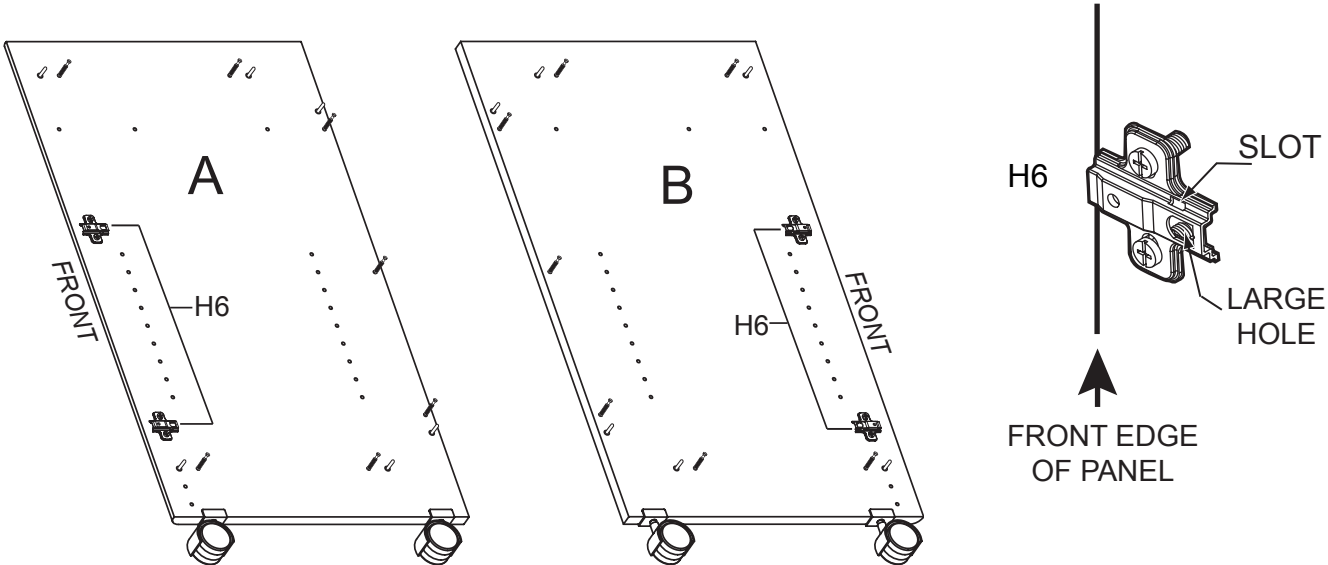
Insert six Wood Dowels (H5) into the pre-drilled holes of the Left Side (A) and six Wood Dowels into the pre-drilled holes of the Right Side (B) where indicated.



#4

Attach two Hinge Plates (H6) to the Left Side (A) and two Hinge Plates to the Right Side (B) using attached screws into the pre-drilled holes as shown.

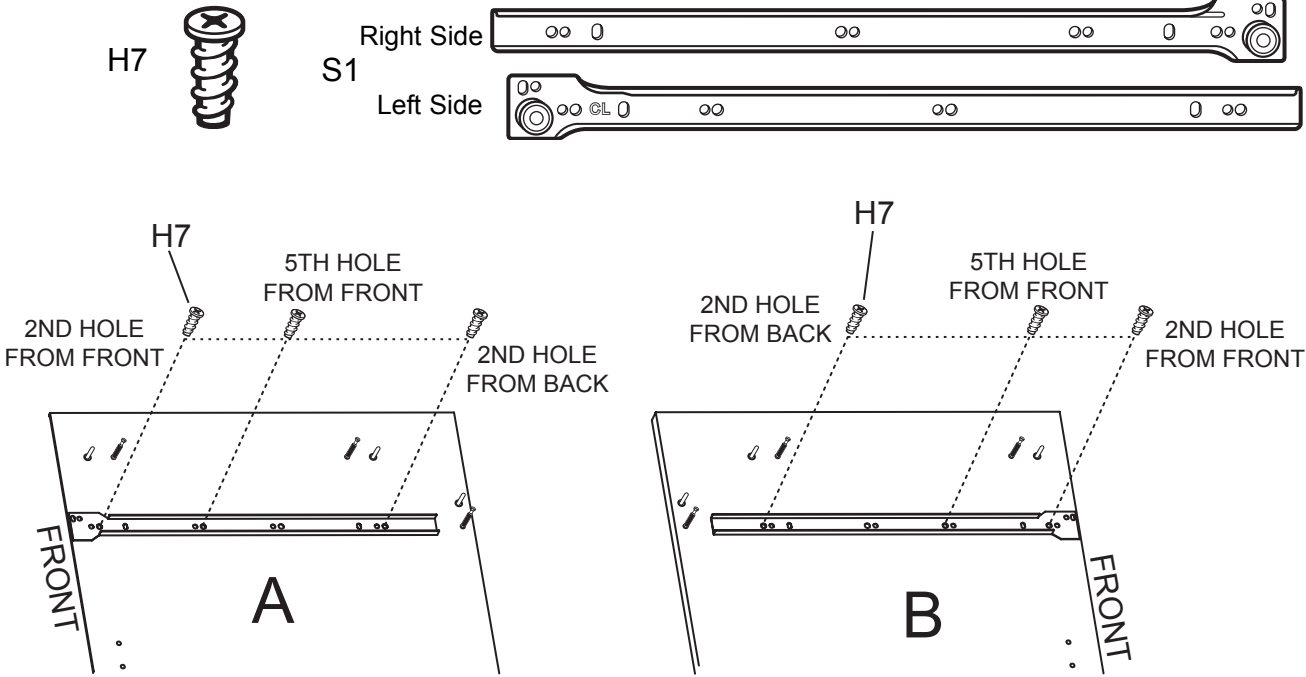
IMPORTANT! The large hole and slots must be oriented to the rear edge of the Hinge Plates as shown.



#5

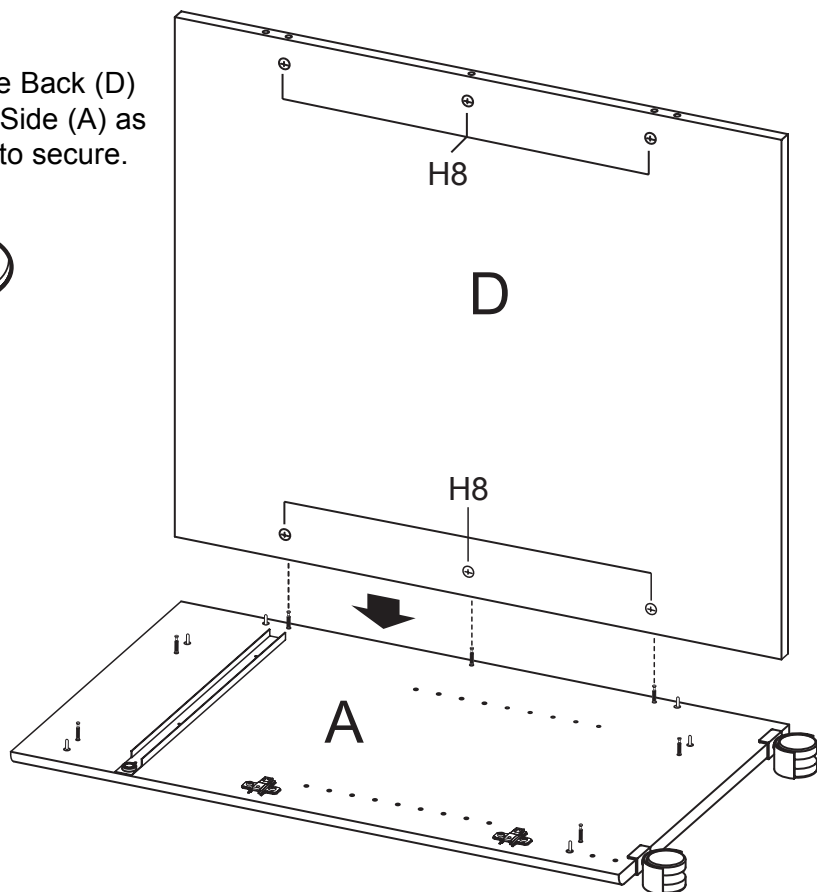
Attach a right 18" Side Channel (S1) to the Right Side (B) using Varianta Screws (H7) in the upper set of pre-drilled holes as shown.

Attach a left 18" Side Channel (S1) to the Left Side (A) using Varianta Screws (H7) in the upper set of pre-drilled holes as shown.



#6

Insert six Minifix Cams (H8) into the Back (D) facing out. Position Back onto Left Side (A) as shown and rotate Cams clockwise to secure.

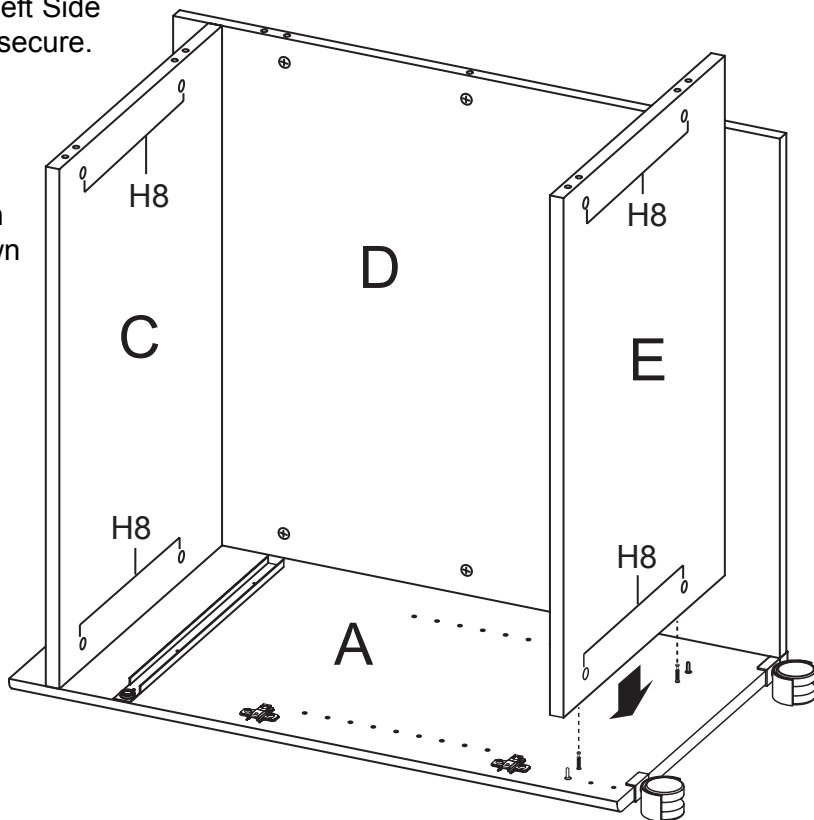


#7

Insert four Minifix Cams (H8) into the Top (C) facing out. Position Top onto Left Side (A) as shown and rotate Cams to secure.

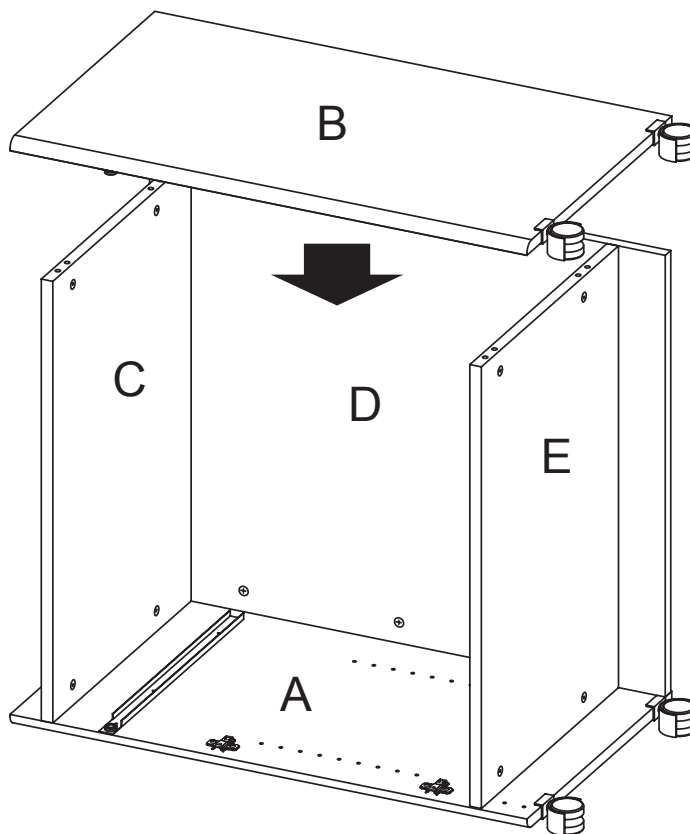
#8

Insert four Minifix Cams (H8) into the Bottom (E) facing out. Position Bottom onto Left Side (A) as shown and rotate Cams clockwise to secure.



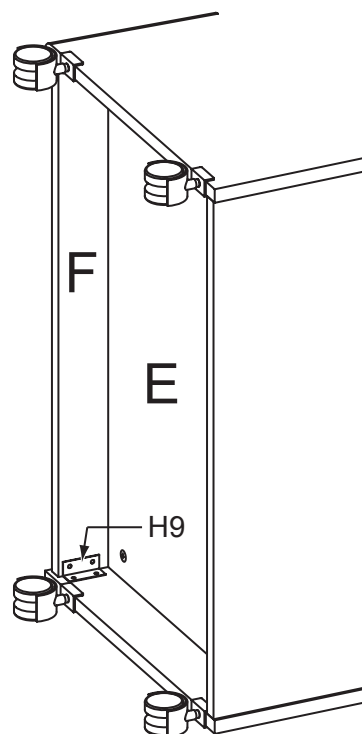
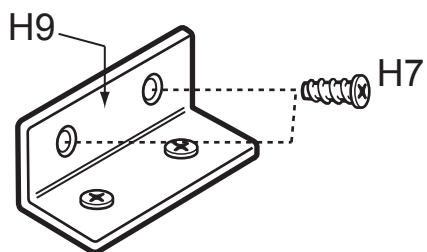
#9

Position the Right Side (B) Minifix Bolts and dowels into the corresponding Cams of the unit as shown.



#10

Align the Toe Space (F) between the End Panels (A and B) and secure in place with two Angle Brackets (H9). Use four Varianta Screws (H7) for each bracket as shown.

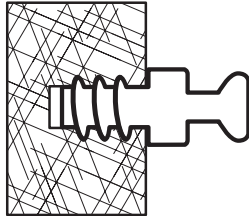


Using the Rafix System:

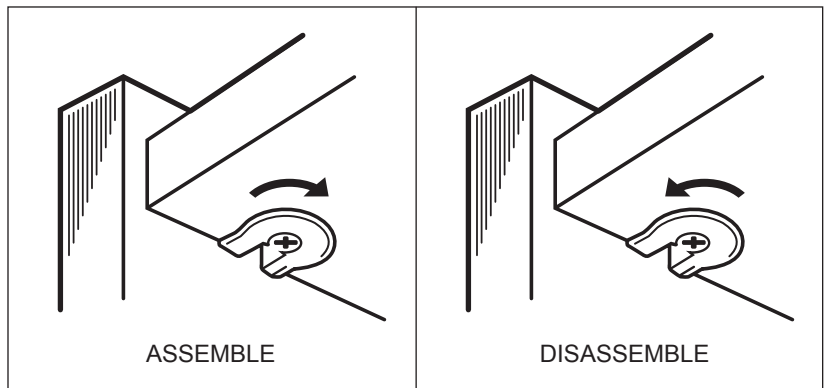
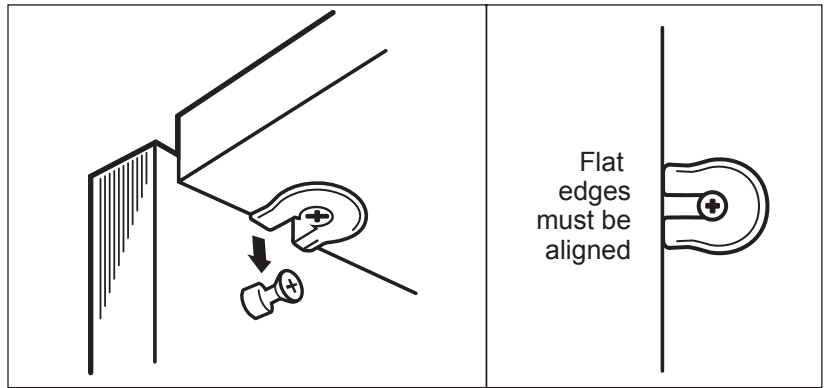
Insert the Rafix Cams into the appropriate holes. The flat edge of the cam should be facing the edge of the panel.

Slide Rafix Cams of the panel to be attached onto the corresponding posts.

When screwing post into hole, **Do Not** over tighten. Screw post down until bottom face of post flange just touches board surface.



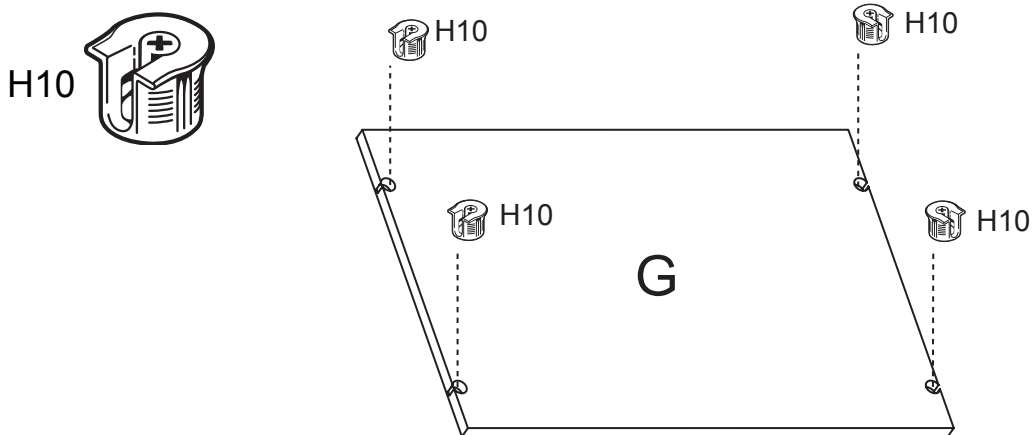
Using a #3 Phillips screwdriver, turn the rotating portion of the Rafix Cam a 1/2 turn clockwise to secure. **IMPORTANT!** Do not exceed 1/2 turn when tightening cams. Turn 1/2 turn counterclockwise to disassemble and remove panel.



#11

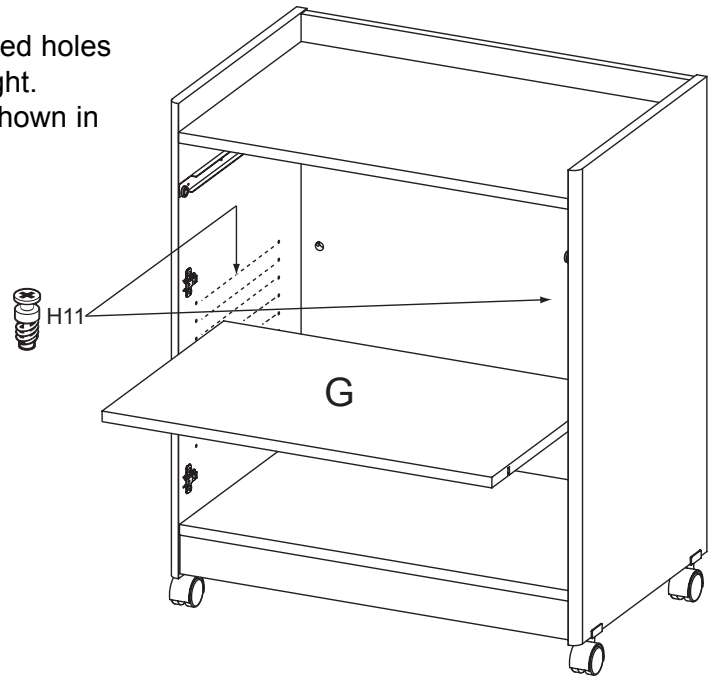
Insert four Rafix Cams (H10) into the Shelf (G) facing outwards and tap until fully seated in place as shown.

IMPORTANT! The edge of the Rafix Cam must be aligned with the shelf edge. Rafix Cams are difficult to reposition if installed incorrectly.



#12

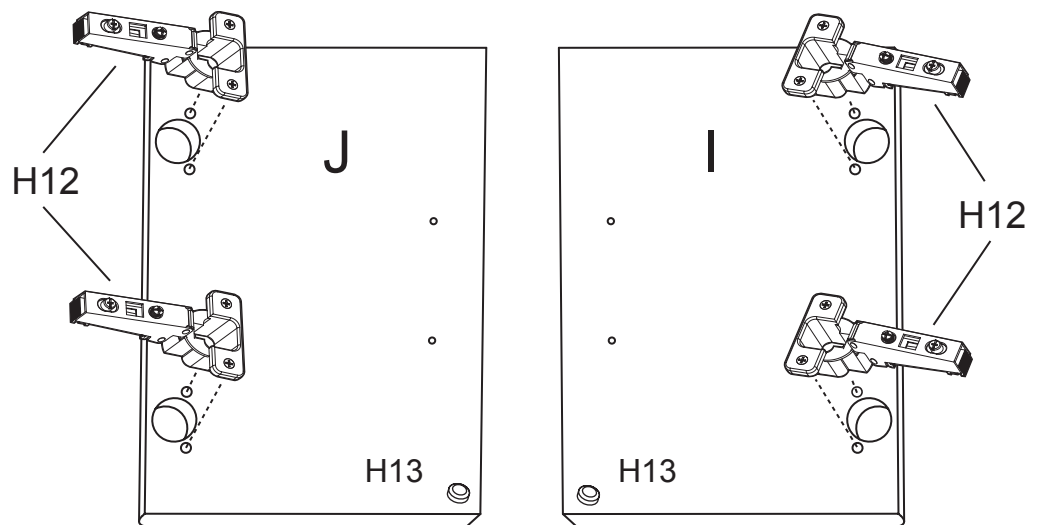
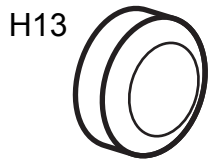
Screw four Rafix Bolts (H11) into pre-drilled holes of each Side (A and B) at a selected height. Position the Shelf (G) onto the bolts as shown in the diagram preceding Step #11.



#13

Using a Plastic Mallet, insert the Hinges (H12) to the Left and Right Doors (I and J) as shown.

Remove backings and press Door Bumpers (H13) onto the opposite corners of Doors where indicated.



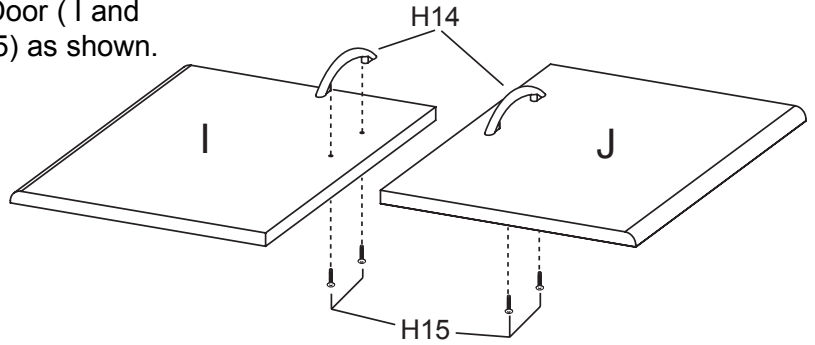
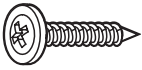
#14

Attach a Drawer Pull (H14) to each Door (I and J) using 1" Washerhead Screws (H15) as shown.

H14



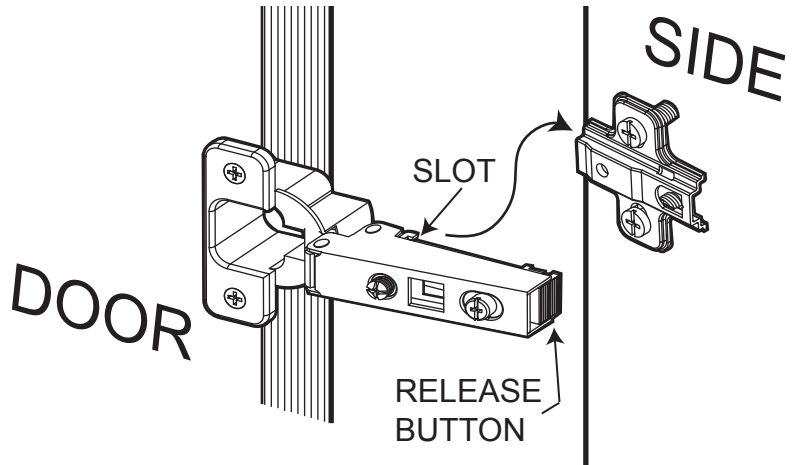
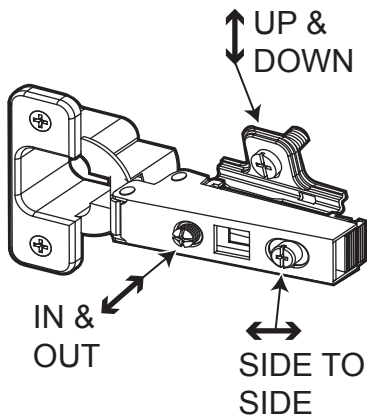
H15



#15

To attach the Doors (I and J) to the unit, slide the slots of the Hinges (H12) onto the Hinge Plates (H6) until the release buttons click into place.

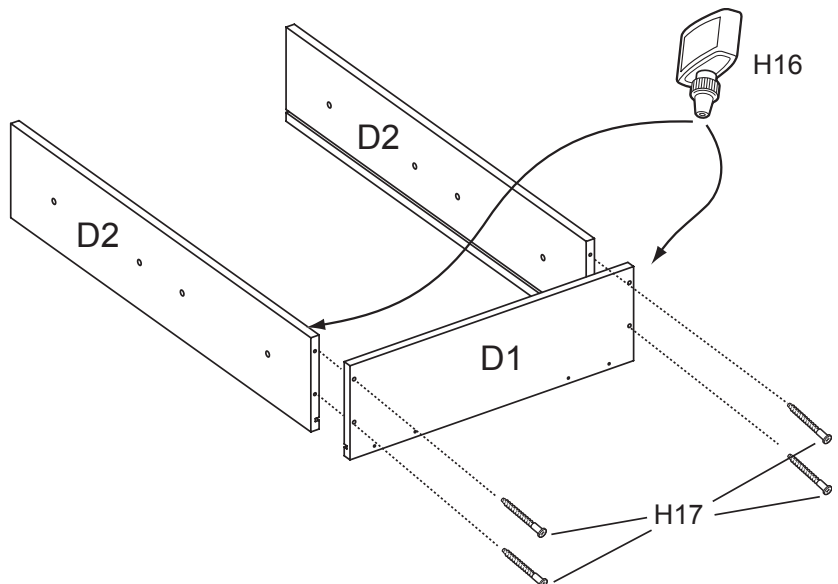
Adjust Doors (I and J) to open and close easily by loosening hinge screws and repositioning Hinge as shown. Tighten hinge screws when proper alignment is achieved.



#16

Spread a thin layer of Glue (H16) on one edge of each Drawer End (D2) as shown.

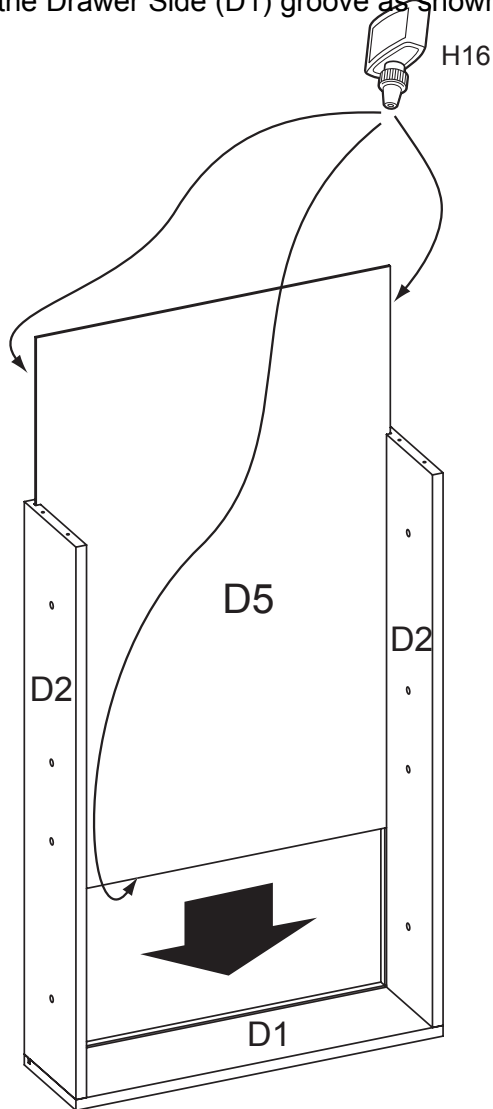
Use four Phillips Head Screws (H17) to attach Drawer Ends (D2) to a Drawer Side (D1) with the grooves aligned on the inside as shown.



#17

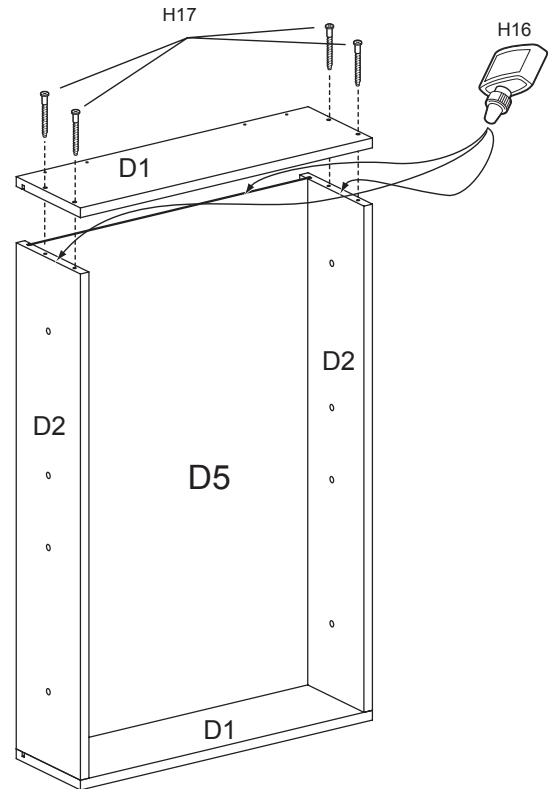
Spread a thin layer of glue on both end edges and one side edge of Drawer Bottom (D5).

Slide the Drawer Bottom (D5) into grooves of the Drawer Ends (D2) until seated into the Drawer Side (D1) groove as shown.

**#18**

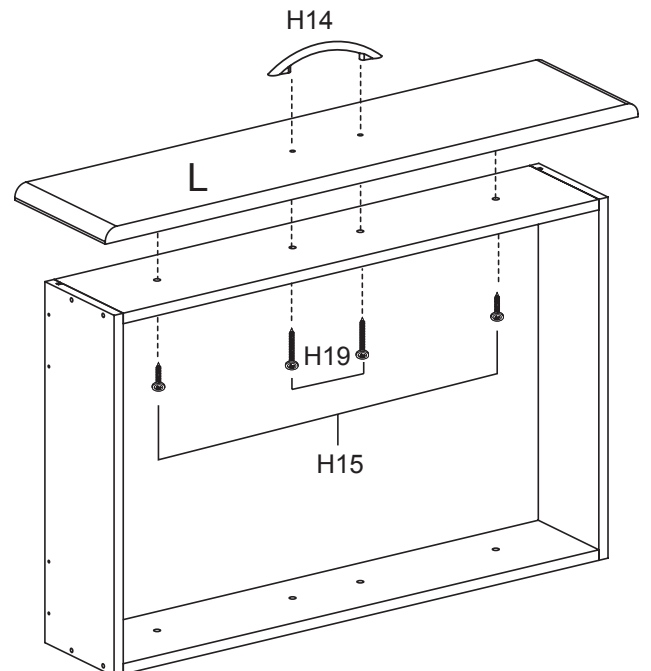
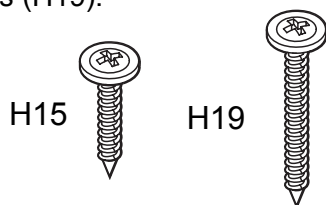
Apply glue to the exposed edge of the Drawer Bottom (D5) and Drawer Ends (D2). Position the other Drawer Side (D1) onto unit with the groove aligned with the edge of the bottom.

Secure Drawer Side (D1) to the Drawer Ends (D2) using the Allen Head Screws (H17) as shown.

**#19**

Attach the Drawer Front (L) to the Drawer assembly using two Washerhead Screws (H18) as shown.

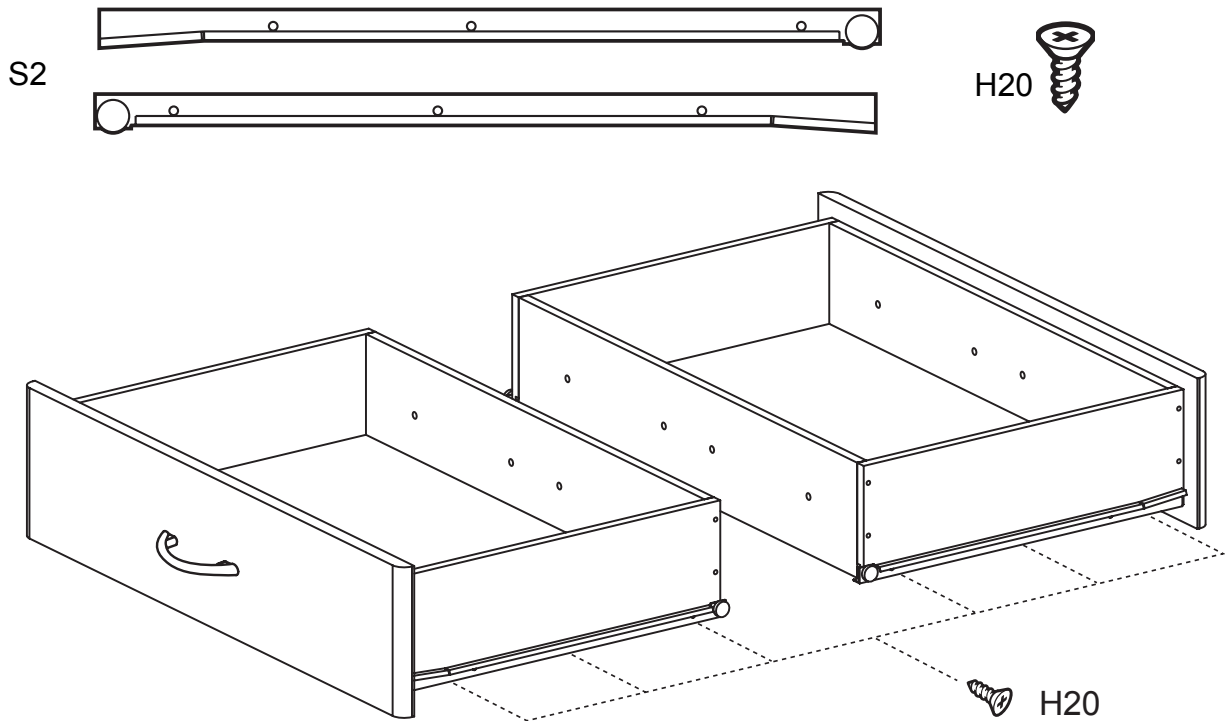
Attach a Drawer Pull (H15) to the Drawer Front (L) as shown using two 1-1/2" Washerhead Screws (H19).



#20

Attach the left Shelf Slide (S2) to the Drawer unit using the Flathead Screws (H20) in the indicated holes as shown.

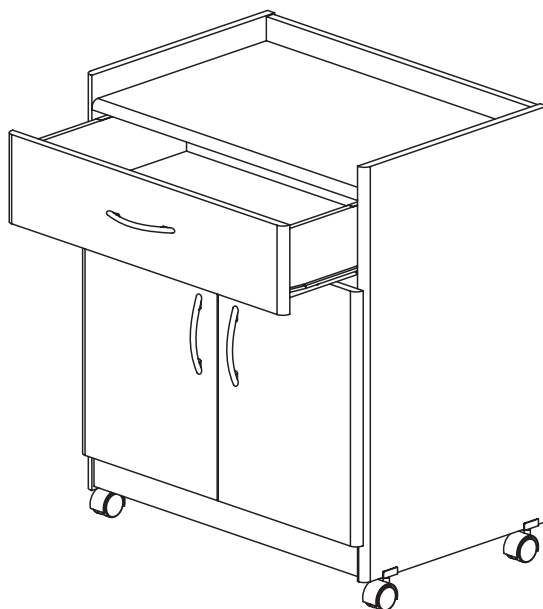
Attach the right Shelf Slide (S2) to the Drawer unit using the Flathead Screws (H20) in the indicated holes as shown.



NOTE: Position the Slides with the flanges up and the rollers to the back as shown.

#21

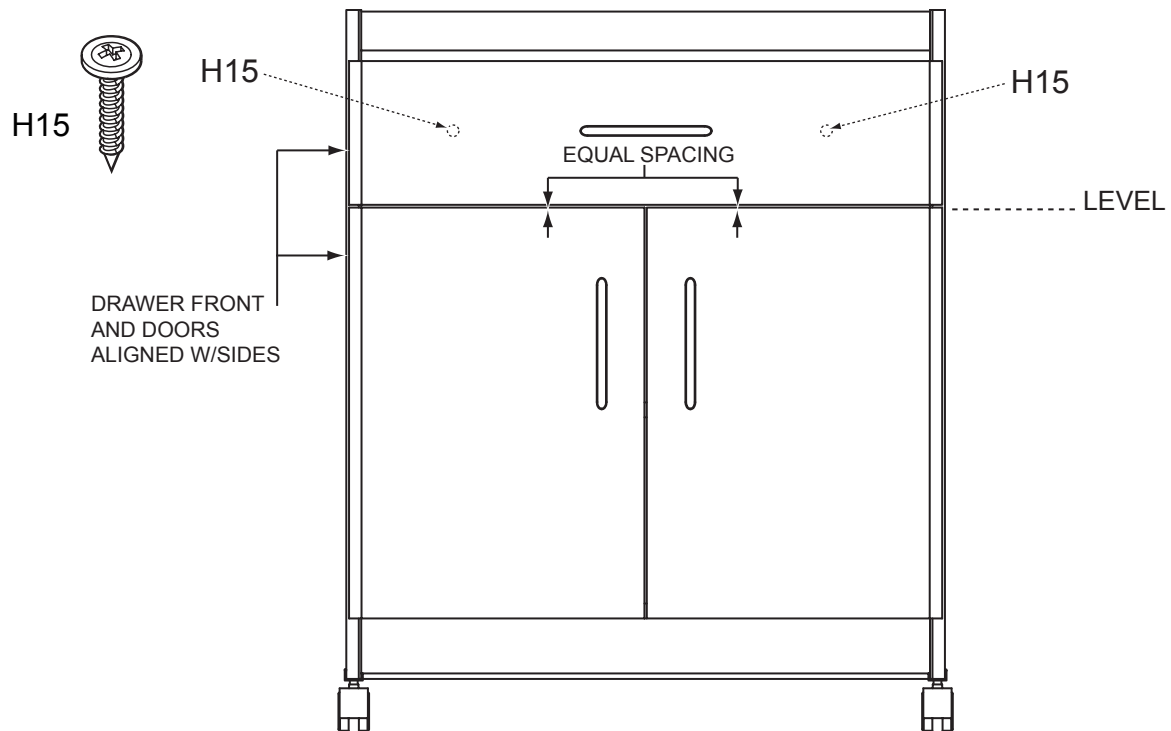
Slide the drawer assembly onto the Side Channels (S2) of the unit as shown.



#22

With the drawer in place, check to insure that the Drawer Front (L) is aligned level and with equal spacing at the edges.

If the Drawer Front needs adjustment, loosen Washer Head Screws (H15) slightly, move Drawer Front to the correct [position and retighten screws.



Your **Deluxe Machine Stand** is now assembled and ready to use.