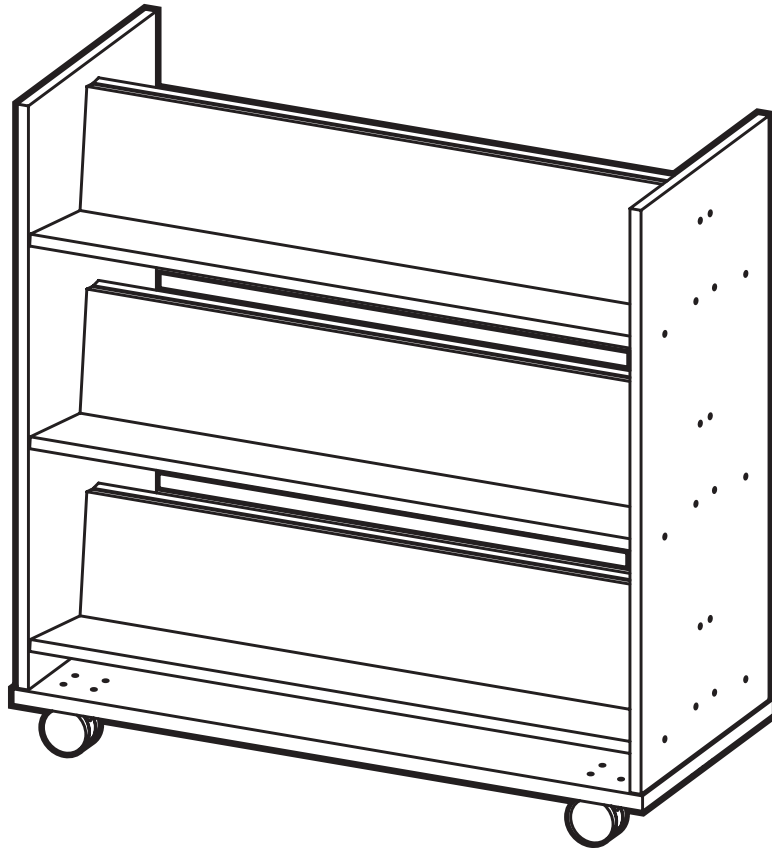




BY  IRONWOOD

LFBK6

6-SHELF BOOK TRUCK



IMPORTANT!

Before you begin assembly, read the directions all the way through one time. Assembly may require the assistance of another person.

This will speed up the process for you and you will understand the sequence of steps. You will need #2 and #3 Phillips head screwdrivers, a medium slotted screwdriver, a plastic mallet and a clean, carpeted surface to work on. If carpet is not available, use the foam padding provided in the carton. It will be helpful to count out and separate hardware into groups before assembly.

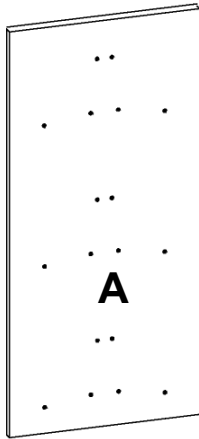
In the event any parts are missing from this package, send your name, address, telephone number, and a description of the missing part(s) to:

PARTS

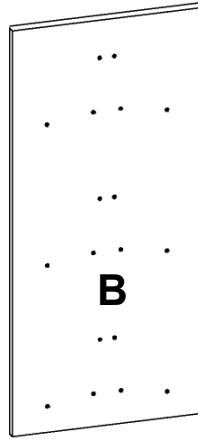
**Box 1420, Missoula, MT 59806 or call:
1-800-769-5693 or FAX 1-800-445-5281.**

To care for this furniture, simply wipe with a cloth dampened with a glass cleaner containing ammonia-D.

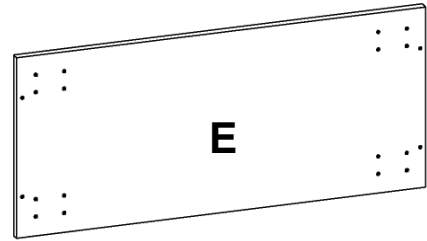
PARTS DIAGRAM



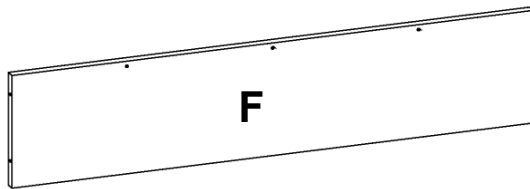
Left Side	01050241	1 ea.
-----------	----------	-------



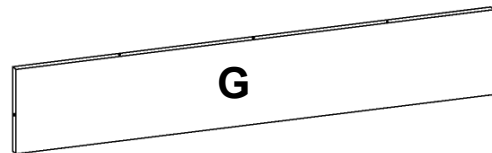
Right Side	01050241	1 ea.
------------	----------	-------



Bottom	01050212	1 ea.
--------	----------	-------



Shelf Back	01050211	6 ea.
------------	----------	-------



Shelf Bottom	01050227	6 ea.
--------------	----------	-------



H1	#5x50 Confirmat Screw	1950100	18 ea.
----	-----------------------	---------	--------



H4	Large Hex Wrench	1999995	1 ea.
----	------------------	---------	-------



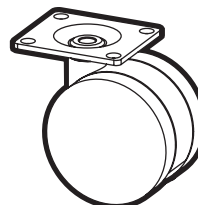
H3	#8x50 Confirmat Screw	1950150	2 ea.
----	-----------------------	---------	-------



H8	Nylok Nut	1904420	16 ea.
----	-----------	---------	--------



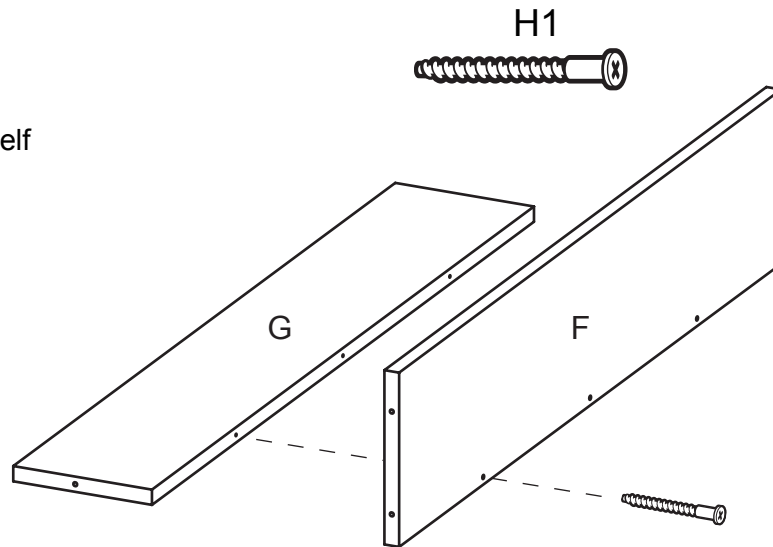
H7	Carriage Bolt	1902205	16 ea.
----	---------------	---------	--------



H5	Swivel Caster	1402640	4 ea.
----	---------------	---------	-------

#1

Attach a Shelf Back (F) to a Shelf Bottom (G) using three #5x50 Confirmat Screws. Repeat this process until all six shelf assemblies are complete.

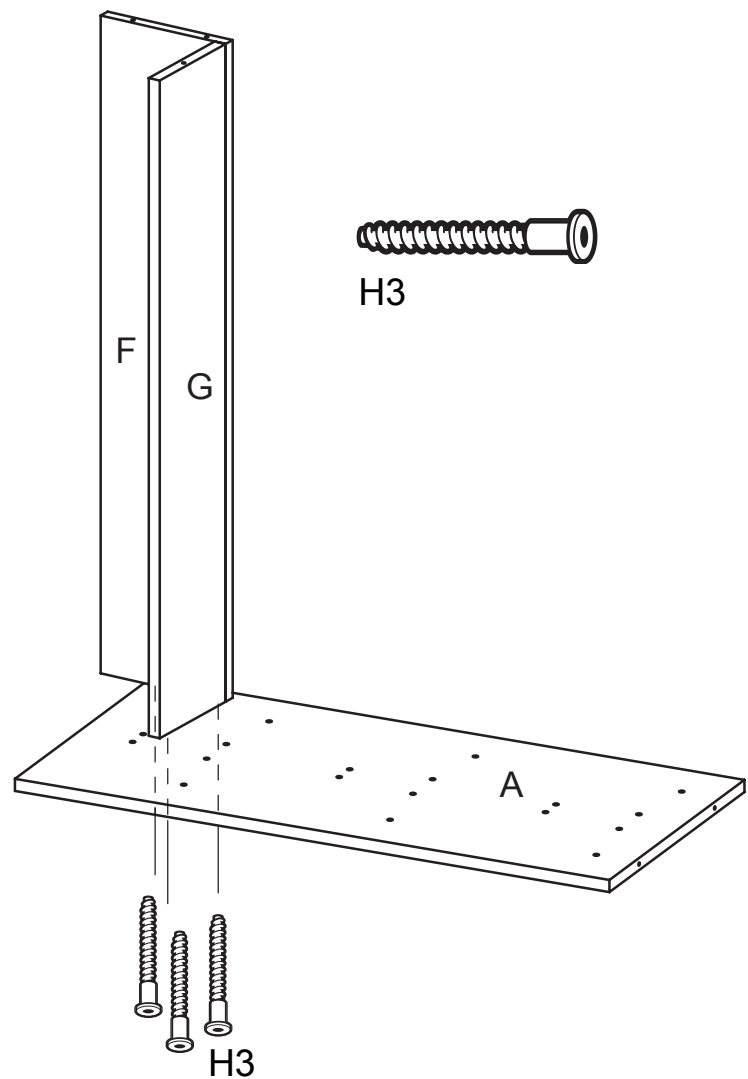


#2

Position a completed shelf assembly onto Left Side (A) as shown. Attach using three #8x50 Confirmat Screws - two for Shelf Back (F) and one for Shelf Bottom (G).

Attach the remaining shelf assemblies in the same manner.

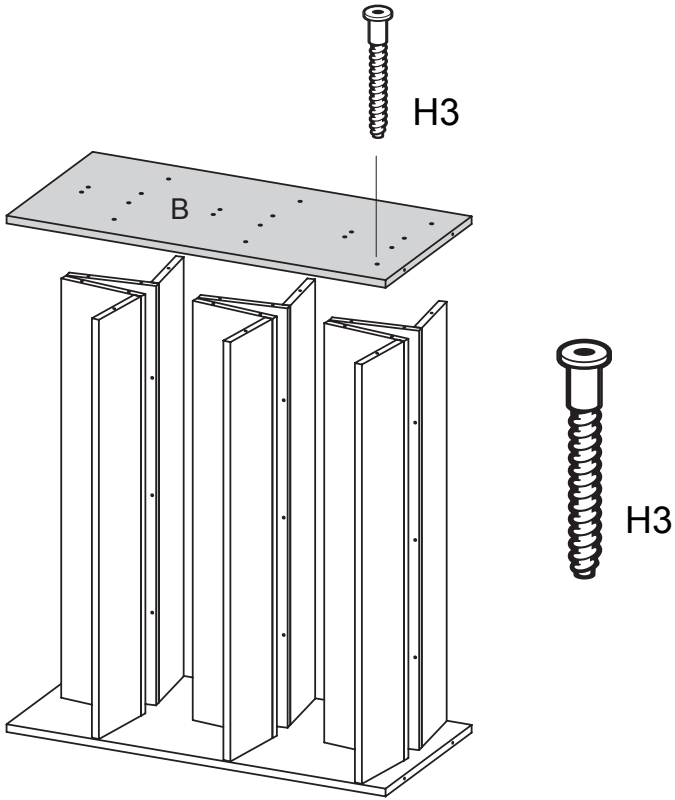
NOTE: Use Large Hex Wrench (H4).



#3

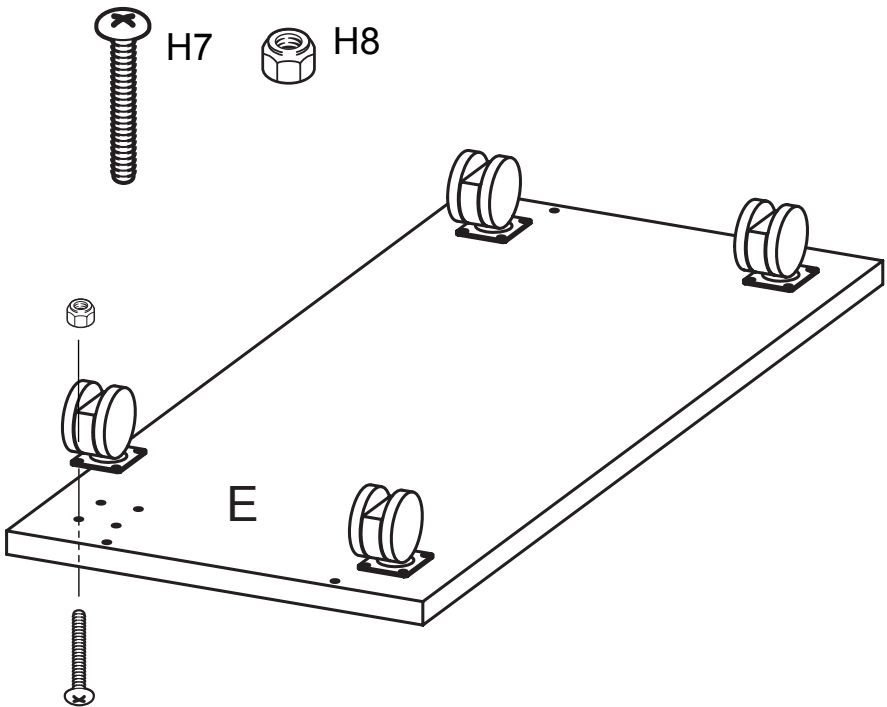
Once all six shelf assemblies are attached, align Right Side (B) onto main assembly. Secure in place using eighteen #8x50 Confirmat Screws (H3)- two for each Shelf Back (F) and one for each Shelf Bottom (G).

NOTE: Use Large Hex Wrench (H4).



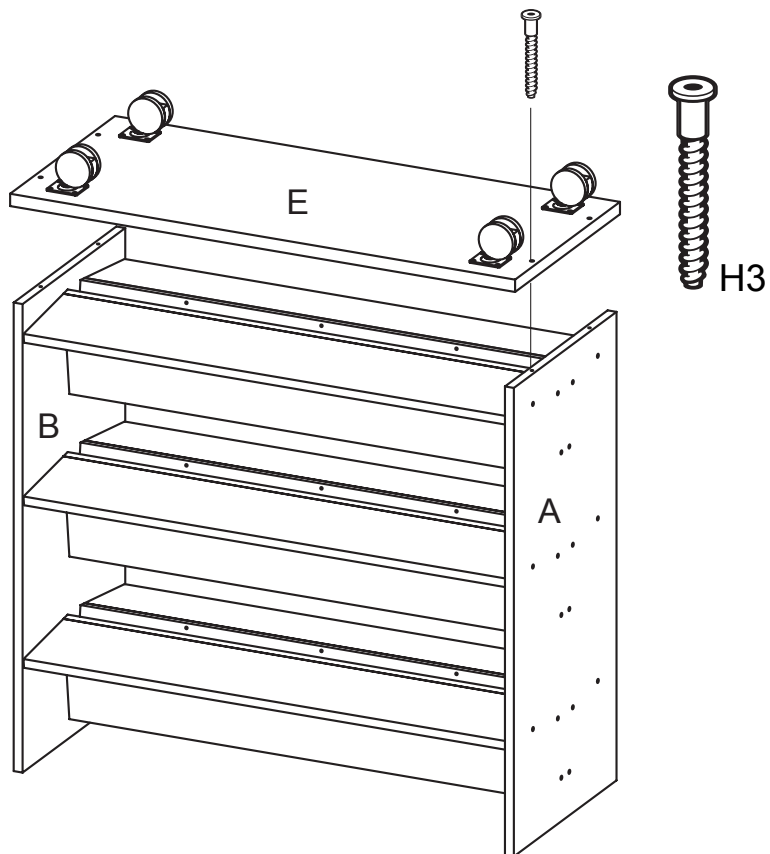
#4

Place Bottom (E) on a clean, carpeted surface. Attach four Casters (H5) using four Carriage Bolts (H7) and four Nylok Nuts (H8) each as shown.



#5

Position Bottom (E) with the caster-side up onto the main assembly. Fasten in place using four #8x50 Confirmat Screws (H3) as shown.



#6

With the assistance of another person, turn the unit upright.

Your Six-Shelf Book Cart is completely assembled and ready for use

