



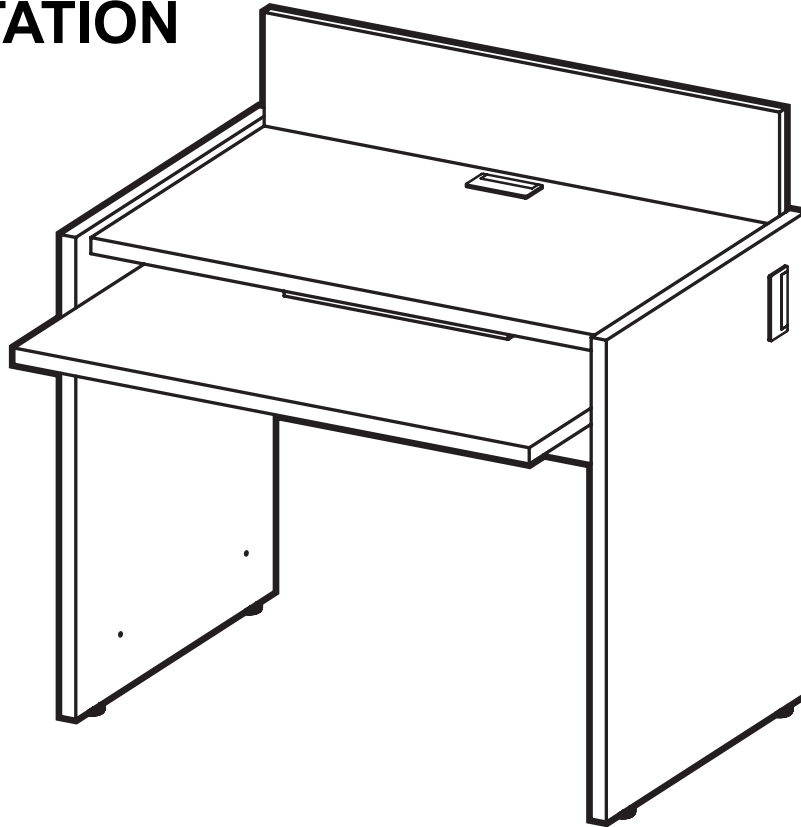
BY  **IRONWOOD**

---

# LW36

---

## LAB WORKSTATION



### IMPORTANT!

**Assembly may require the assistance of another person.**

**Before you begin assembly:**

**READ THE DIRECTIONS** all the way through one time. This will speed up the process and help you understand the sequence of steps.

**COUNT THE PARTS AND HARDWARE** before assembly. This ensures you have received all necessary parts before you begin.

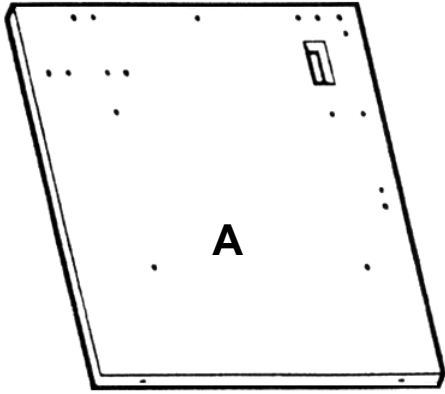
**TOOLS:** You may need a Phillips head screwdriver, a medium slotted screwdriver or a plastic mallet. To protect your new furniture from damage during assembly, it is recommended to work on a carpeted surface.

In the event any parts are missing from this package, send your name, address, telephone number, and a description of the missing part(s) to: **PARTS, Box 1420, Missoula, MT 59806** or call: **1-800-769-5693** or **FAX 1-800-445-5281**.

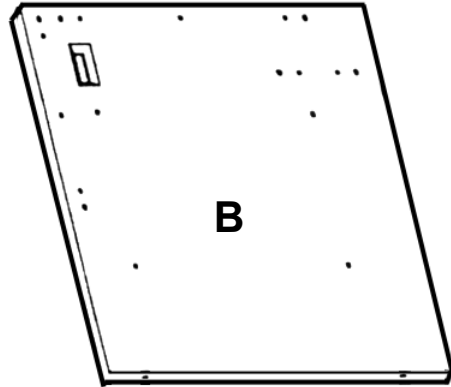
**CAUTION:** On assemblies requiring glue, make sure the unit is assembled correctly before gluing. Once this unit is assembled with glue, the manufacturer will not be responsible for damaged parts. Keep a damp cloth or sponge handy to wipe off excess glue.

To care for this furniture, simply wipe with a cloth dampened with glass cleaner containing ammonia-D.

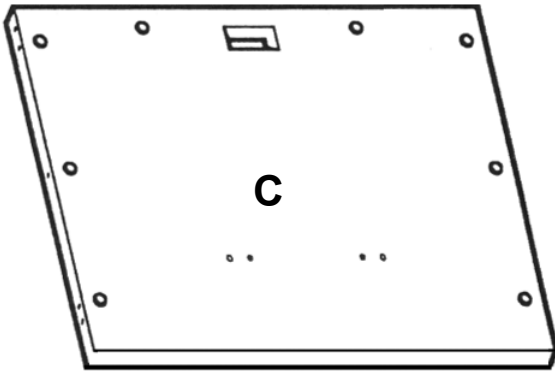
# PARTS DIAGRAM



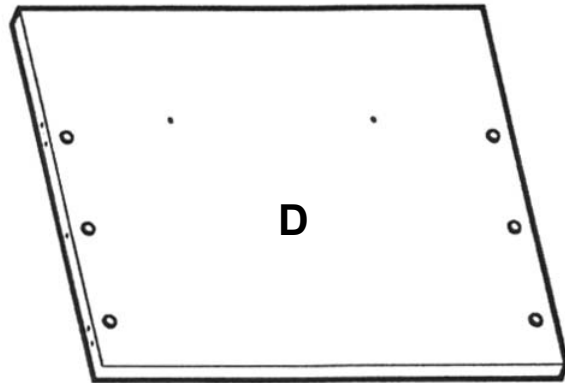
Left Side	06001941	1 ea.
-----------	----------	-------



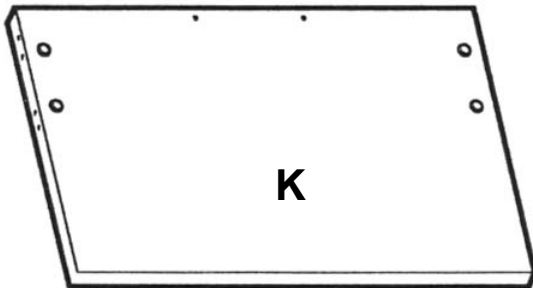
Right Side	06001941	1 ea.
------------	----------	-------



Top	06001901	1 ea.
-----	----------	-------



Back	06001952	1 ea.
------	----------	-------



Keyboard Shelf	06001928	1 ea.
----------------	----------	-------



Drop Panel	06001981	1 ea.
------------	----------	-------

# HARDWARE



H1	Minifix Cam	909810	20 ea.
----	-------------	--------	--------



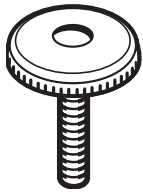
H2	Minifix Bolt	909834	20 ea.
----	--------------	--------	--------



H3	Wood Dowel	195000	14 ea.
----	------------	--------	--------



H4	Leveler Insert	274650	4 ea.
----	----------------	--------	-------



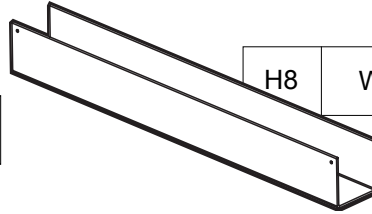
H5	Leveler	300870	4 ea.
----	---------	--------	-------



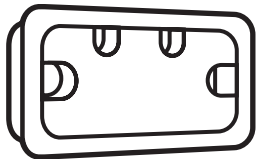
H6	Confirmat Screw	950100	2 ea.
----	-----------------	--------	-------



H7	Large Hex Wrench	999995	1 ea.
----	------------------	--------	-------



H8	Wire Trough	412990	1 ea.
----	-------------	--------	-------



H9	Grommet	286580	3 ea.
----	---------	--------	-------



H10	6 x 5/8 Panhead Screw	901216	2 ea.
-----	-----------------------	--------	-------

## for Connecting to Other Units



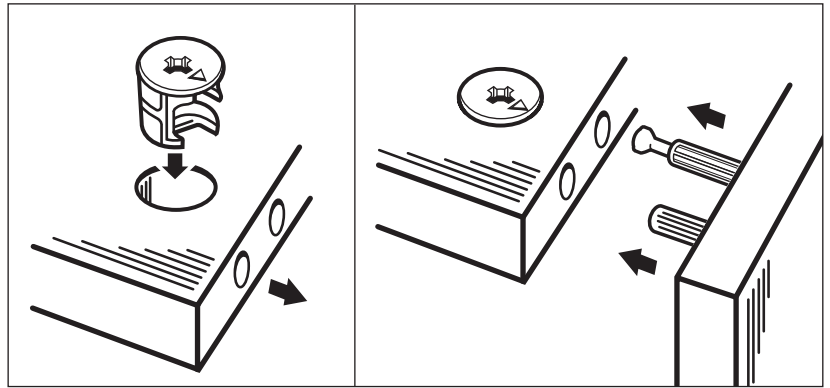
H12	Machine Screw	901350	4 ea.
-----	---------------	--------	-------



H13	Connector Sleeve	950200	4 ea.
-----	------------------	--------	-------

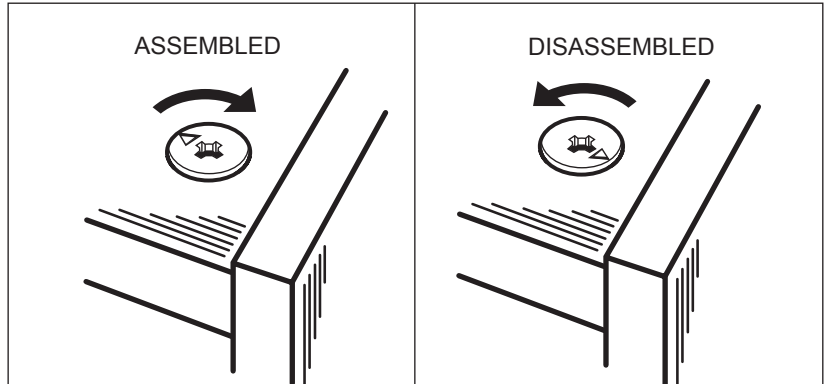
### Using the Minifix System:

Insert the Minifix Cams into the appropriate holes with the arrow facing outwards as shown.



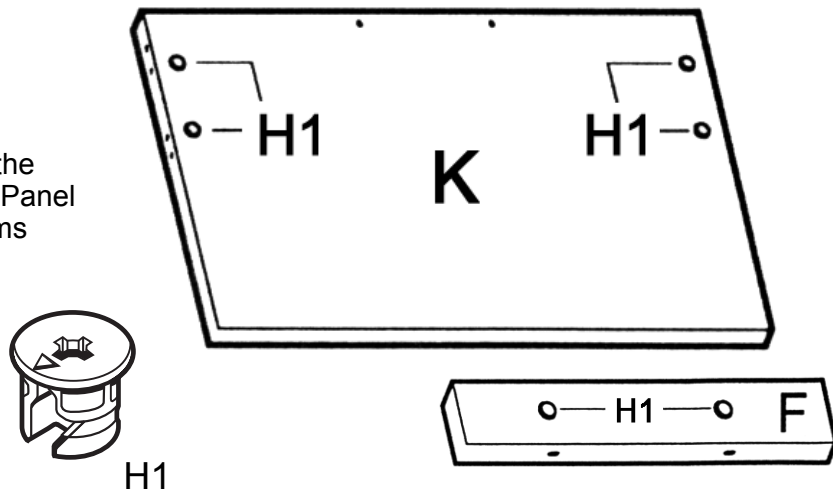
Using the #2 Phillips screwdriver, rotate the Cam Devices a half turn clockwise until snug.

To disassemble, turn the Cam Devices counter-clockwise and remove panels.



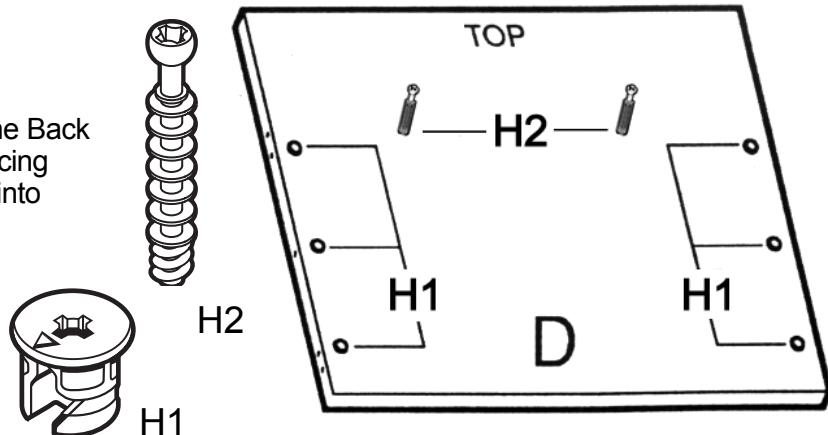
## #1

Insert Minifix Cams (H1) into the Keyboard Shelf (K) and Drop Panel (F), with the arrows of the cams facing out.



## #2

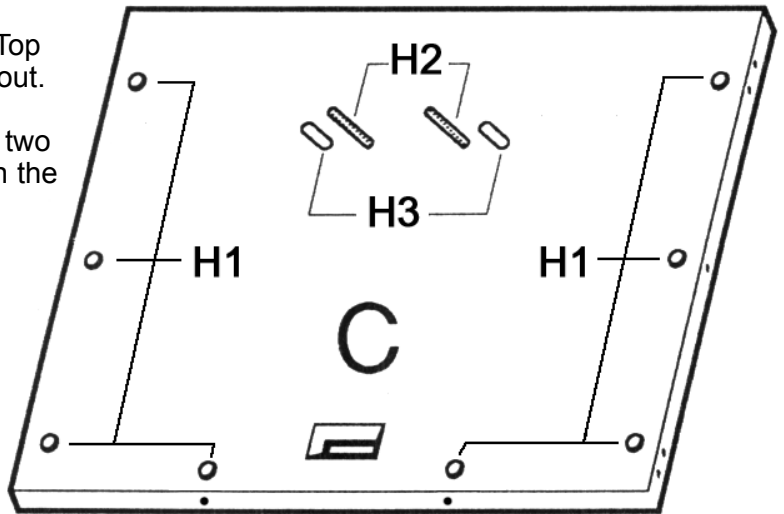
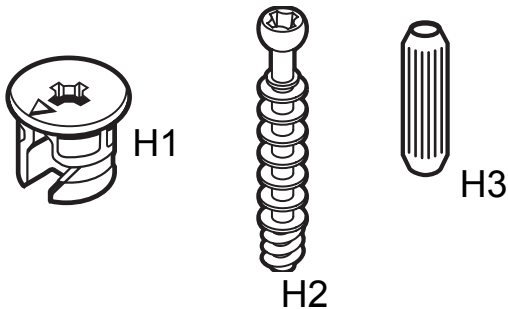
Insert six Minifix Cams (H1) into the Back (D) with the arrows of the cams facing out. Screw two Minifix Bolts (H2) into indicated pre-drilled holes.



#3

Insert eight Minifix Cams (H1) into the Top (C) with the arrows of the cams facing out.

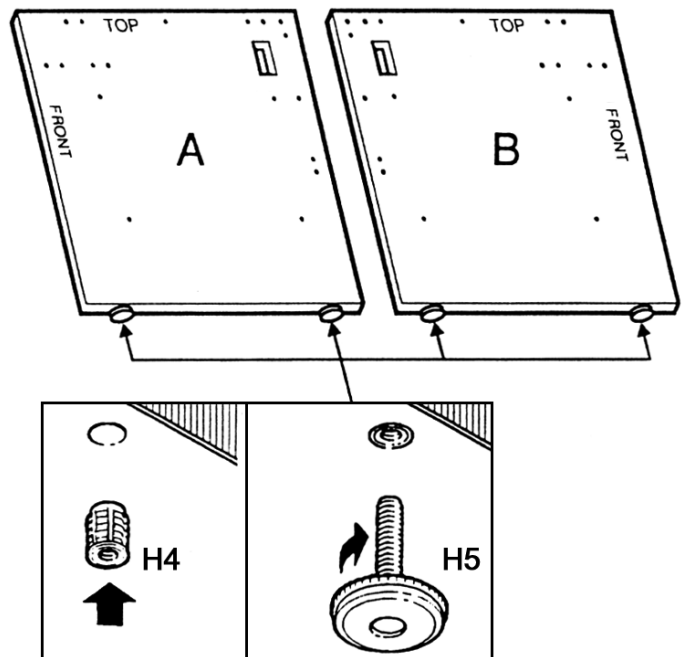
Screw two Minifix Bolts (H2) and insert two Dowels (H3) into the pre-drilled holes in the underside of the Top where indicated.



#4

Insert the Leveler Inserts (H4) into the holes in the bottom edges of Left Side (A) and Right Side (B). Using a plastic mallet, tap until flush with the surface. Screw the Levelers (H5) into the Leveler Inserts.

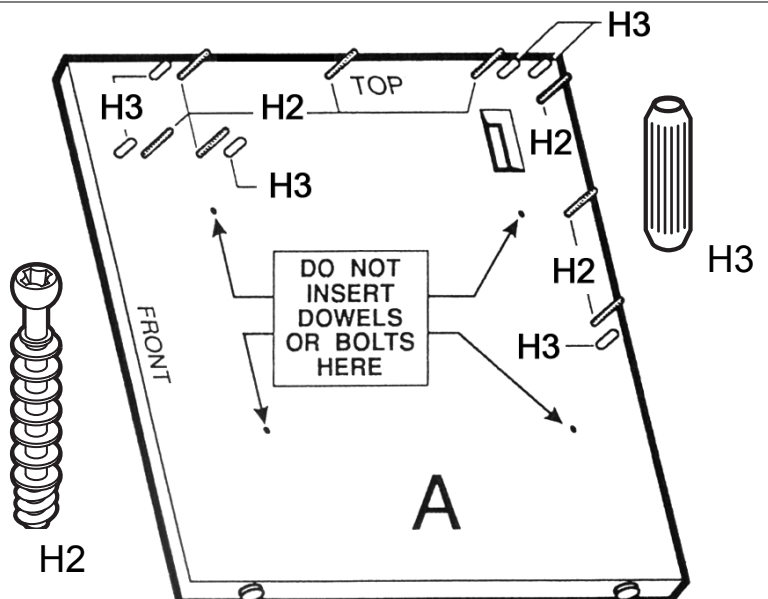
**Adjust Levelers when the assembled unit is in place.**



#5

Using a screwdriver, screw eight Minifix Bolts (H2) into the Side Panels (A & B) where indicated.

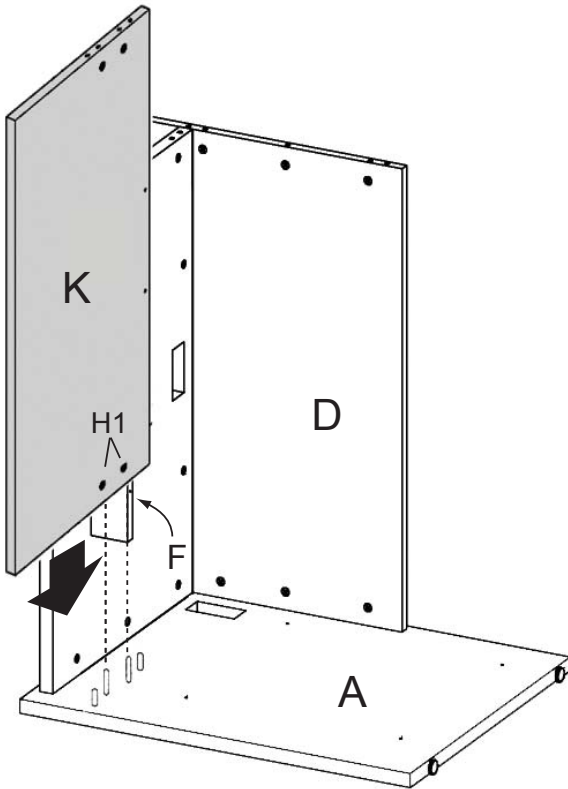
Insert six Dowels (H3) into each Side where indicated.



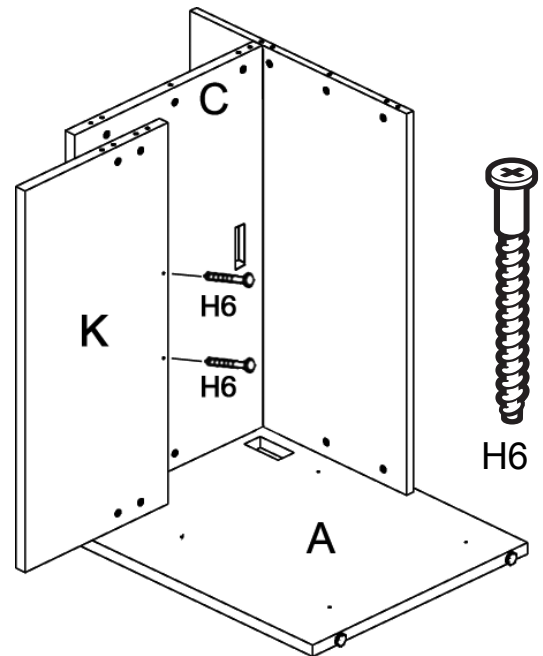


**#9**

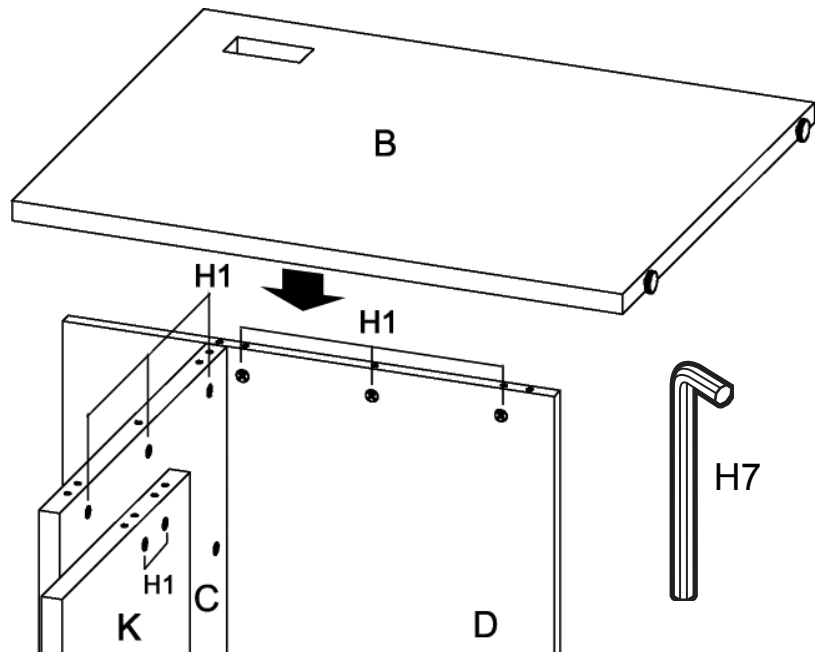
Position the Keyboard Shelf (K) onto the Left Side (A) as shown and turn cams (H1) clockwise to secure.

**#10**

Secure the Keyboard Shelf (E) to the Drop Panel (F) using two Confirmat Screws (H6) in the pre-drilled holes as shown.

**#11**

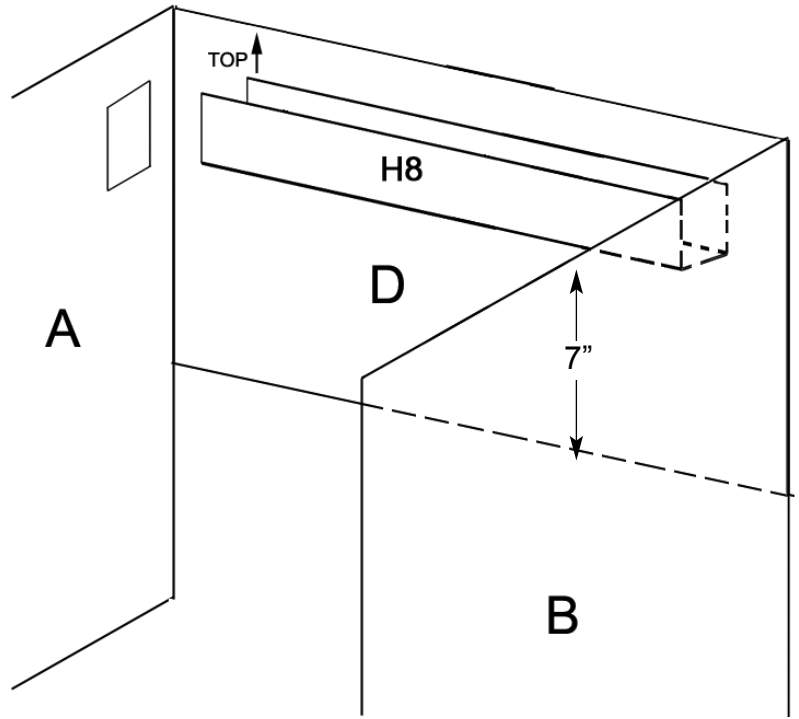
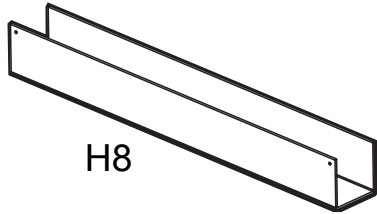
Position the bolts and dowels of the Right Side (B) onto the unit and use the large Hex Wrench (H7) to turn the cams (H1) clockwise to lock in place.



## #12

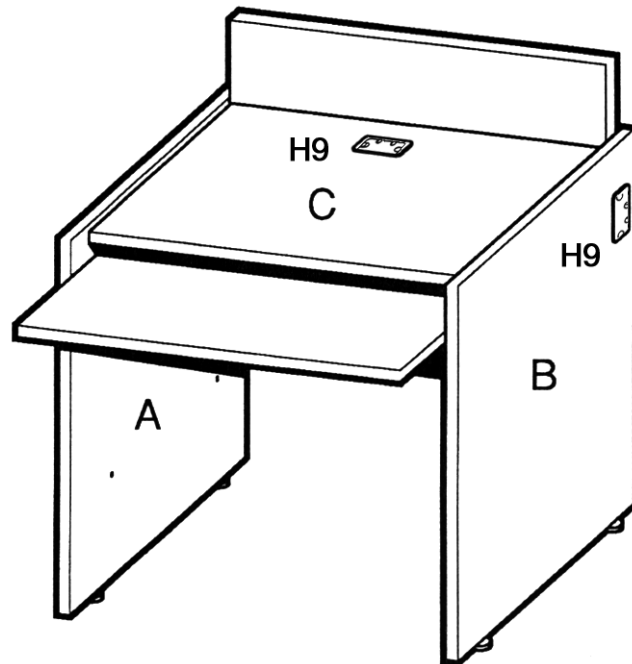
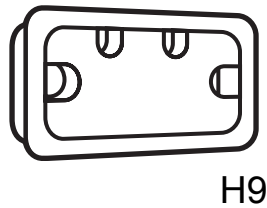
Peel the paper backing off of the adhesive strip on the Wire Trough (H8). Attach the Wire Trough to the Back of the unit and secure in place by driving two Panhead Screws (H10) through the predrilled holes in the Wire Trough.

**Note:** It will be difficult to remove or reposition the wire trough once the Back and Top are joined.



## #13

Insert Grommet (H9) into the Left Side (A), Right Side (B) and the Top (C).

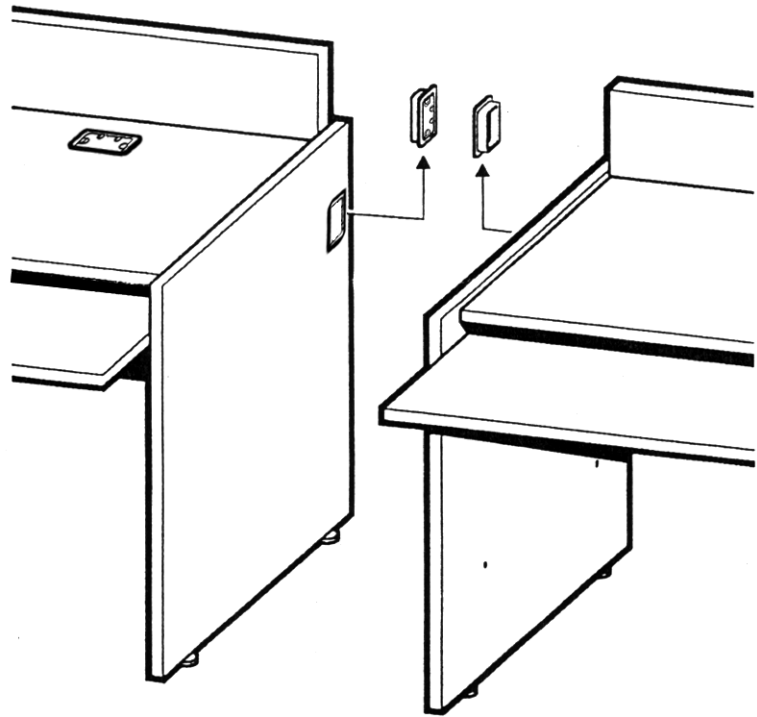


Your Lab Workstation is now completely assembled and ready for use.



## CONNECTING OTHER WORKSTATIONS:

Remove Grommets from the panels to be connected.



Using a 13/64" bit, drill through the four pilot holes on the inside of each side panel.

Align the side panels of the units to be connected. Tap four Connector Sleeves (H13) through the holes in one side panel and into the holes of the unit to be connected. From the other side, secure the units together using four Connector Screws (H12).

