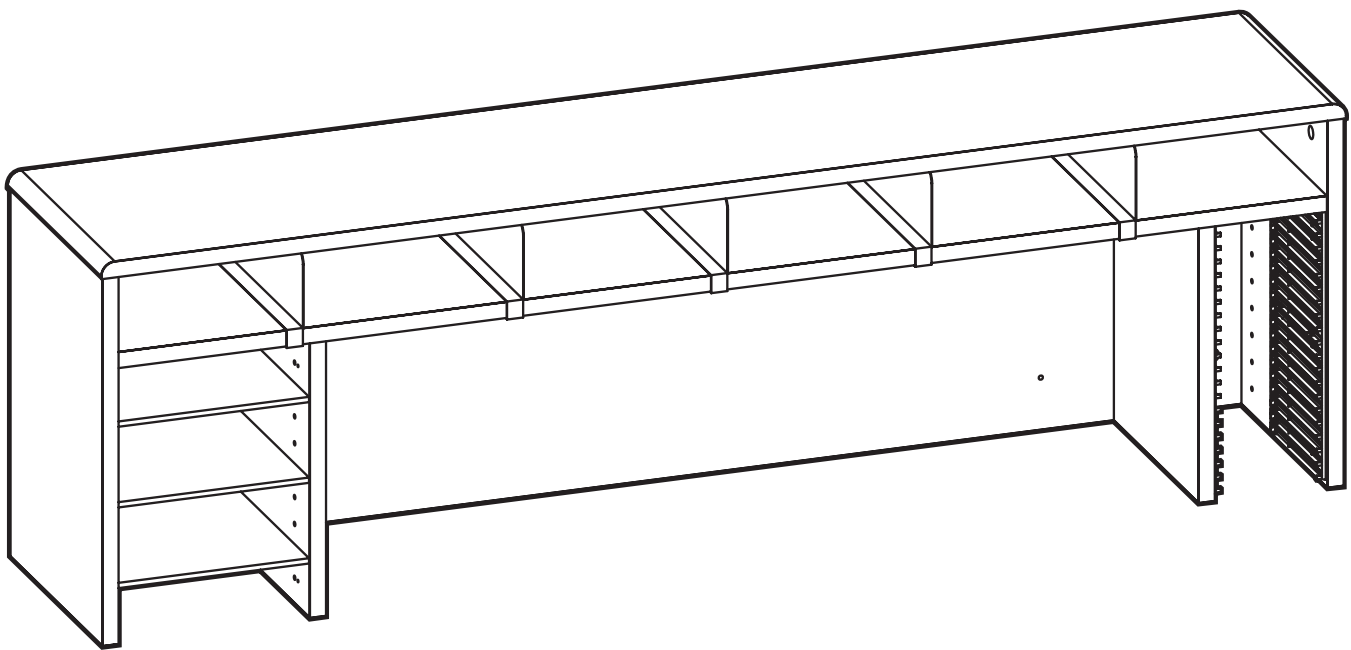




DTO-CD

DESKTOP ORGANIZERS



IMPORTANT!

Assembly may require the assistance of another person.

Before you begin assembly:

READ THE DIRECTIONS all the way through one time. This will speed up the process and help you understand the sequence of steps.

COUNT THE PARTS AND HARDWARE before assembly. This ensures you have received all necessary parts before you begin.

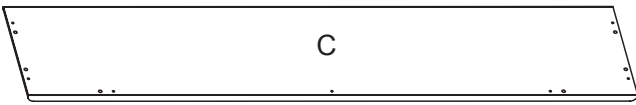
TOOLS: You may need a Phillips head screwdriver, a medium slotted screwdriver or a plastic mallet. To protect your new furniture from damage during assembly, it is recommended to work on a carpeted surface.

In the event any parts are missing from this package, send your name, address, telephone number, and a description of the missing part(s) to: **PARTS, Box 1420, Missoula, MT 59806** or call: **1-800-769-5693** or **FAX 1-800-445-5281**.

CAUTION: On assemblies requiring glue, make sure the unit is assembled correctly before gluing. Once this unit is assembled with glue, the manufacturer will not be responsible for damaged parts. Keep a damp cloth or sponge handy to wipe off excess glue.

To care for this furniture, simply wipe with a cloth dampened with glass cleaner containing ammonia-D.

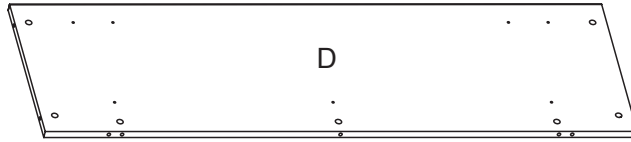
PARTS DIAGRAM



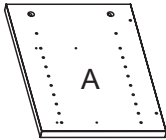
Top	05761601	1 ea.
-----	----------	-------



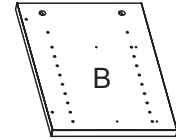
Fixed Shelf	05761721	1 ea.
-------------	----------	-------



Back	05761752	1 ea.
------	----------	-------



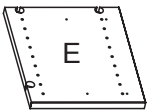
Left Side	05761742	1 ea.
-----------	----------	-------



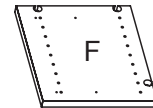
Right Side	05761742	1 ea.
------------	----------	-------



Adjustable Shelf	00000000	3 ea.
------------------	----------	-------



Left Divider	05761744	1 ea.
--------------	----------	-------



Right Divider	05761744	1 ea.
---------------	----------	-------

HARDWARE



H1	Minifix Cam	909810	18 ea.
----	-------------	--------	--------



H2	Minifix Bolt	909834	18 ea.
----	--------------	--------	--------



H3	Dowel	195000	6 ea.
----	-------	--------	-------



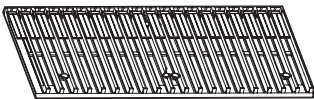
H4	Rafix Cam	909910	6 ea.
----	-----------	--------	-------



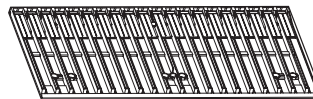
H5	Flathead Screw	901120	8 ea.
----	----------------	--------	-------



H6	Rafix Bolt	909923	6 ea.
----	------------	--------	-------



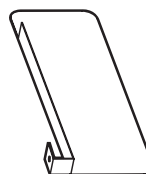
H7	CD Rack Left Side	286400	1 ea.
----	-------------------	--------	-------



H8	CD Rack Right Side	286400	1 ea.
----	--------------------	--------	-------



H9	Shelf Support Pin	297210	12 ea.
----	-------------------	--------	--------



H10	Metal Shelf Dividers	H10100	5 ea.
-----	----------------------	--------	-------



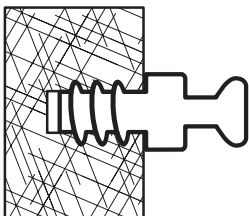
H11	Plastic Label Holders	H3404	3 ea.
-----	-----------------------	-------	-------

Using the Rafx System:

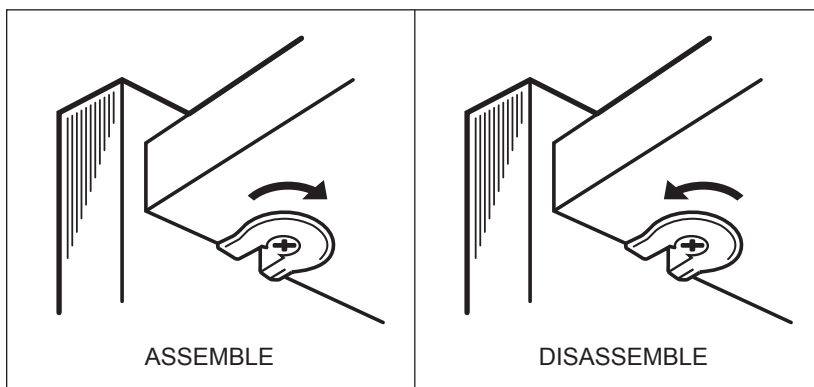
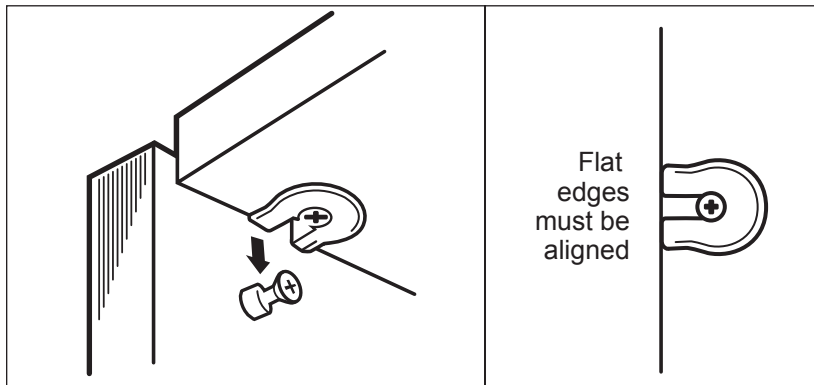
Insert the Rafx Cams into the appropriate holes. The flat edge of the cam should be facing the edge of the panel.

Slide Rafx Cams of the panel to be attached onto the corresponding posts.

When screwing post into hole, **Do Not** over tighten. Screw post down until bottom face of post flange just touches board surface.



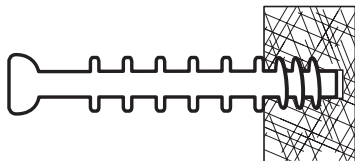
Using a #3 Phillips screwdriver, turn the rotating portion of the Rafx Cam a 1/2 turn clockwise to secure. **IMPORTANT!** Do not exceed 1/2 turn when tightening cams. Turn 1/2 turn counterclockwise to disassemble and remove panel.



Using the Minifix System:

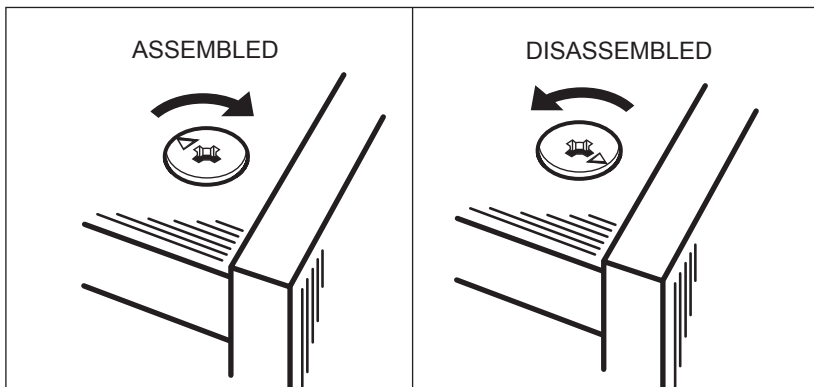
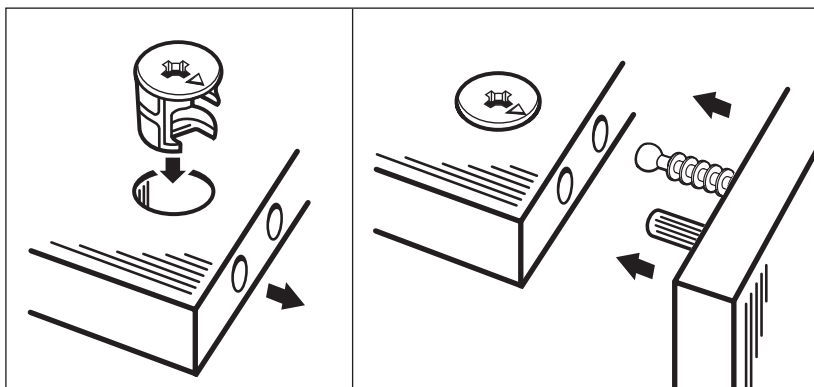
Insert the Minifix Cams into the appropriate holes with the arrow facing outwards as shown.

When screwing post into hole, **Do Not** over tighten. Screw post down until bottom face of post flange just touches board surface.



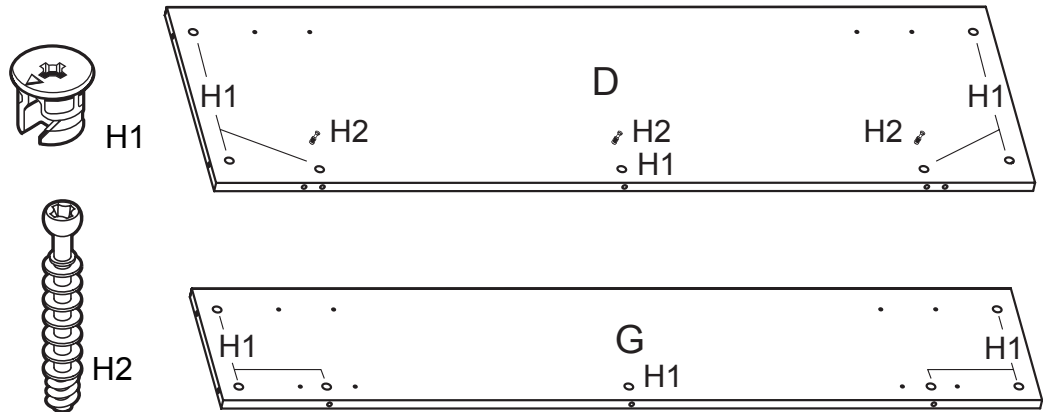
Using the #2 Phillips screwdriver, rotate the Cam Devices a half turn clockwise until snug.

To disassemble, turn the Cam Devices counter-clockwise and remove panels.



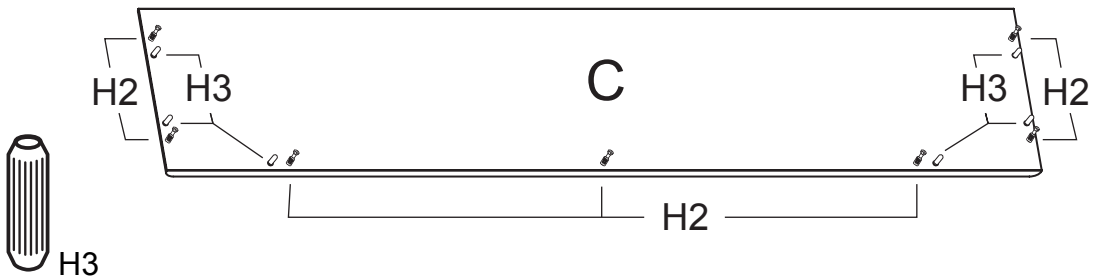
#1

Insert 7 Minifix Cams (H1) into Back Panel (D) with arrow facing outward, screw in 3 Minifix Bolts (H2) into back as shown. Insert 7 Minifix Cams into Fixed Shelf (G).



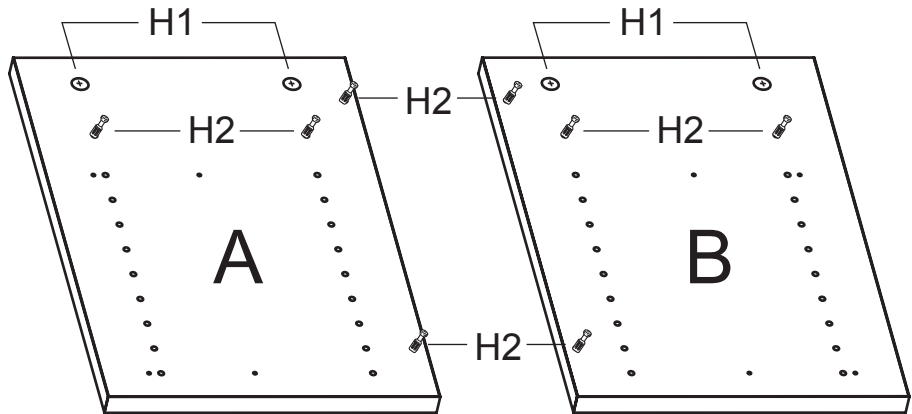
#2

Insert 6 Wood Dowels (H3) and 7 Minifix Bolts (H2) into Top (C) as shown.



#3

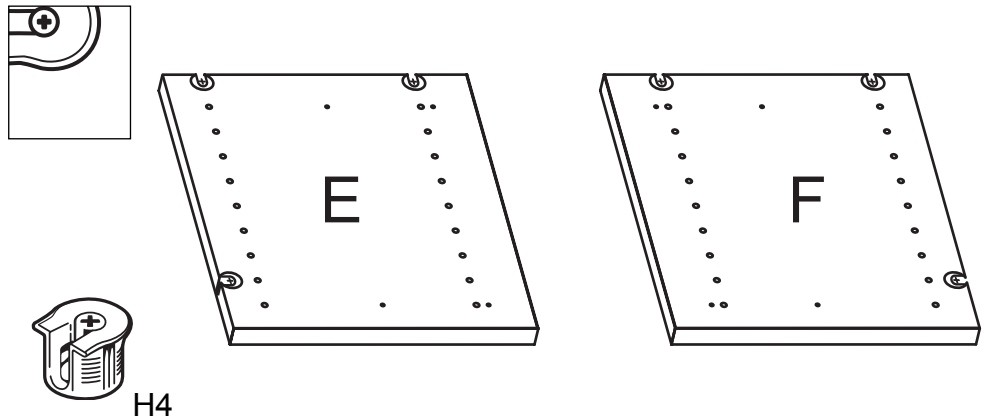
Insert 2 Minifix Cams (H1) into each side (A & B) with arrows facing out. Screw 4 Minifix Bolts (H2) into each side as shown.



#4

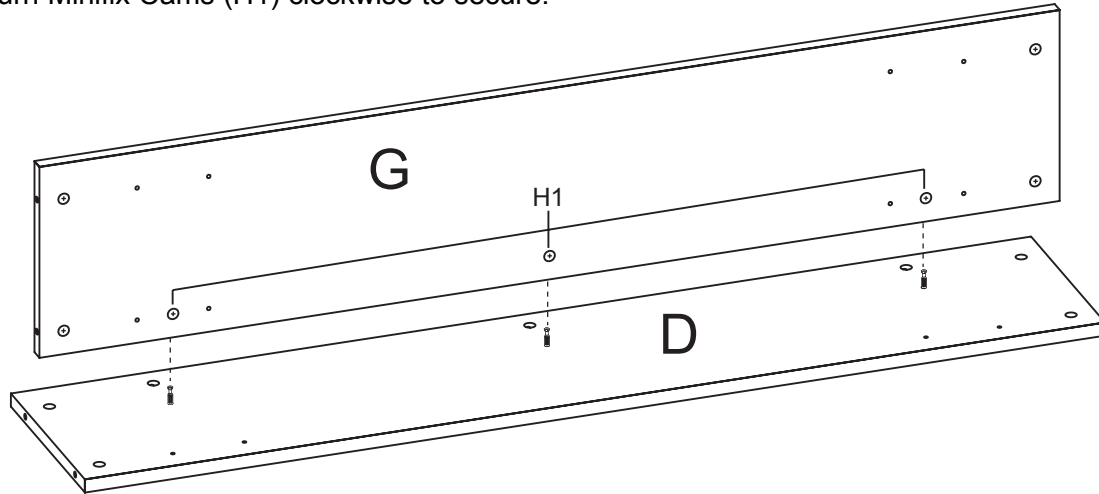
Insert 3 Rafix Housings (H4) into each Divider Panel (E & F) as shown. Tap Rafix Housing until fully seated.

NOTE: Rafix Housings cannot be repositioned if installed incorrectly.



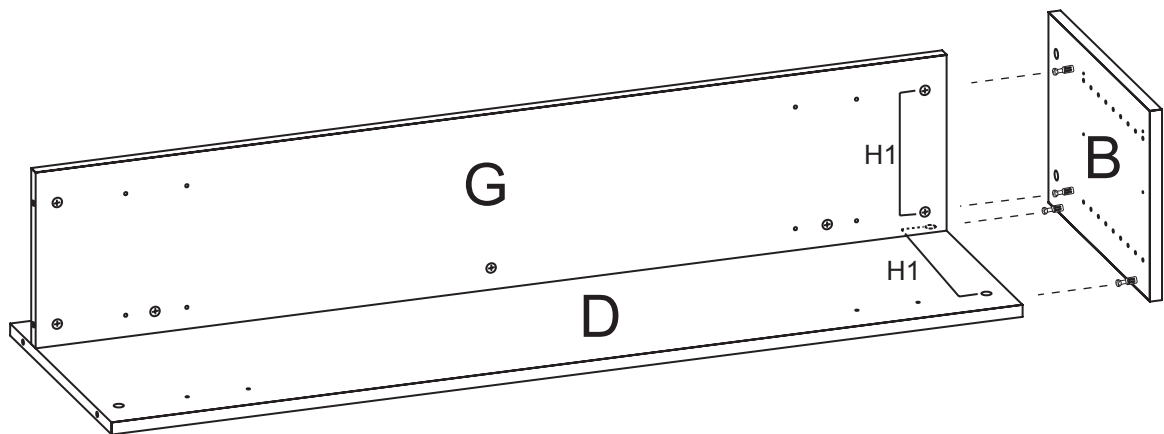
#5

Place Back (D) as shown. Position Fixed Shelf (G) onto Back.
Turn Minifix Cams (H1) clockwise to secure.



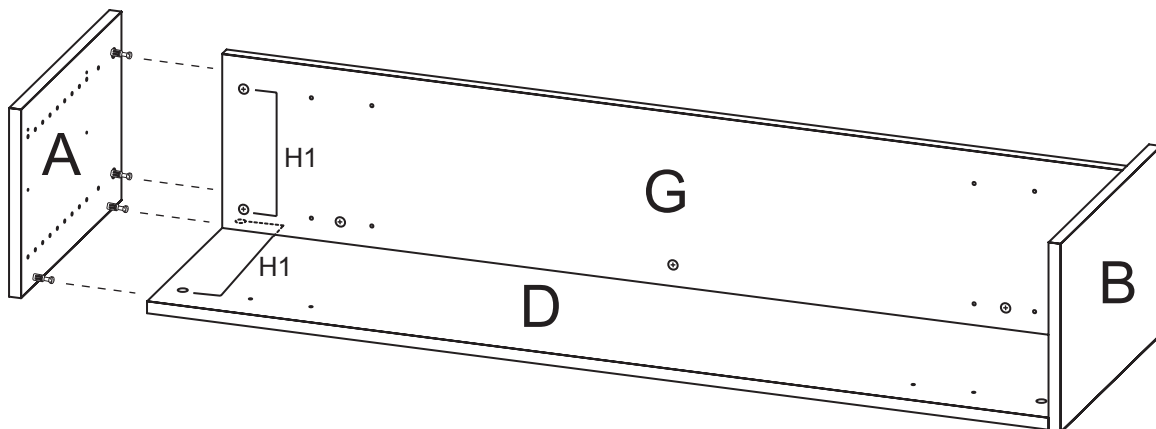
#6

Position right side (B) onto back (D) and Fixed Shelf (G) as shown.
Turn Minifix Cams (H1) clockwise to secure.



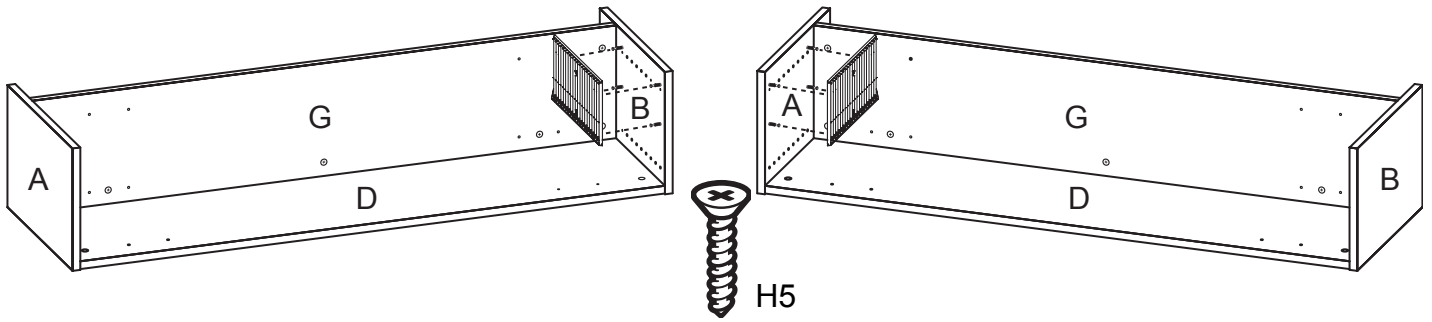
#7

Position left side (A) onto back (D) and Fixed Shelf (G) as shown. Turn Minifix Cams (H1) clockwise to secure.



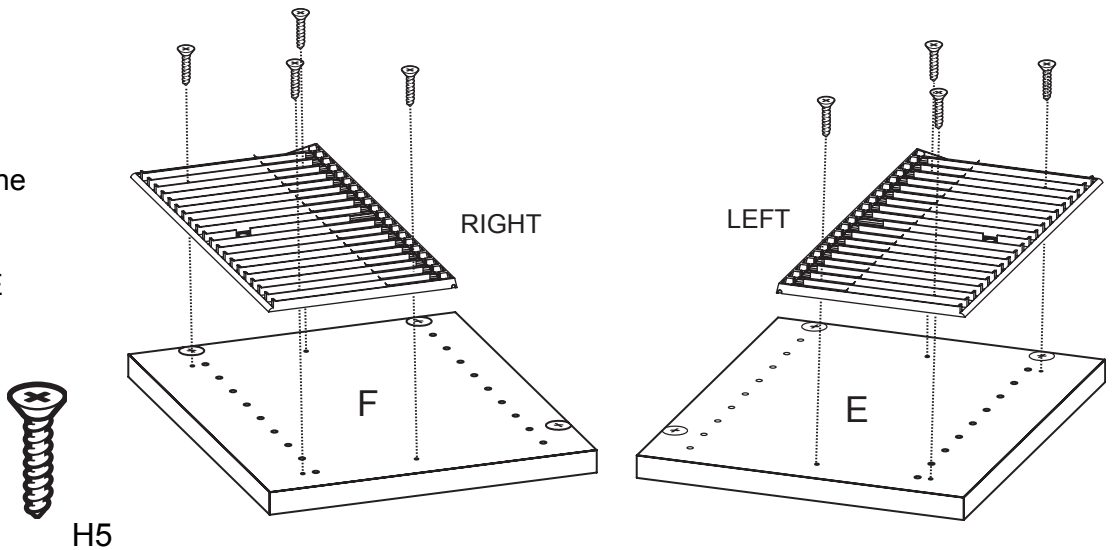
#8

Select side that you would like the CD Rack on - right side or left side of unit. Use 4 flathead screws (H5) to install outside CD rack (H7) or (H8) as shown in the diagram.



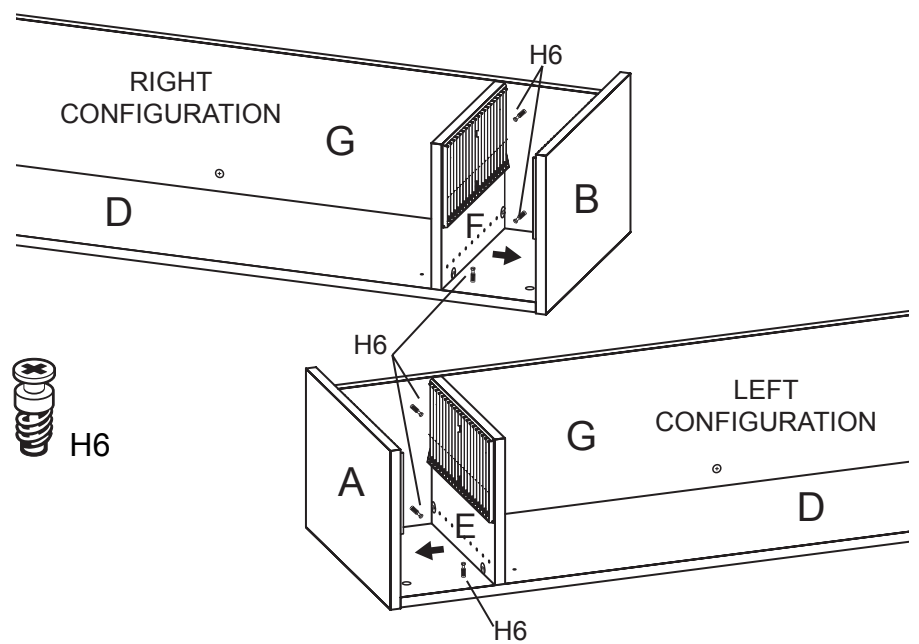
#9

Using 4 Flathead Screws (H5) install the remaining CD Rack (H7 or H8) onto the Divider Panel (part E for left side or part F for right side).



#10

Screw in 3 Rafx bolts (H6) as shown into Shelf (G) and back (D) being sure to select holes closest to matching CD Rack installed in step 8. Slide Divider Panel (E or F) onto bolts and rotate Rafx Housing 1/2 turn clockwise to secure.

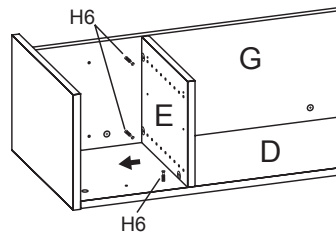


#11

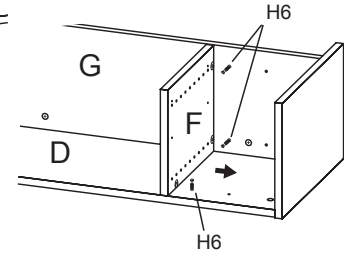
On opposite end of CD Rack installation screw in 3 Rafix bolts (H6) in holes furthest out from side as shown. Slide Divider Panel (E or F) onto Rafix bolts and rotate Rafix Housing 1/2 turn clockwise to secure.



RIGHT CONFIGURATION

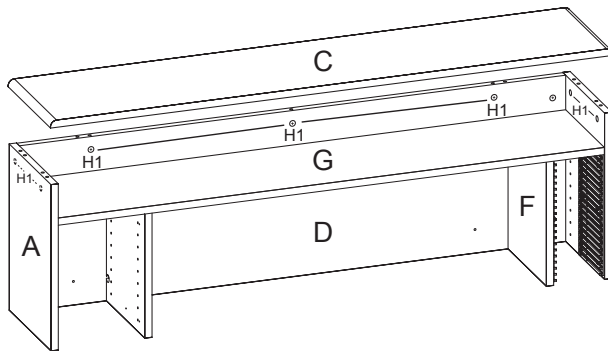


LEFT CONFIGURATION

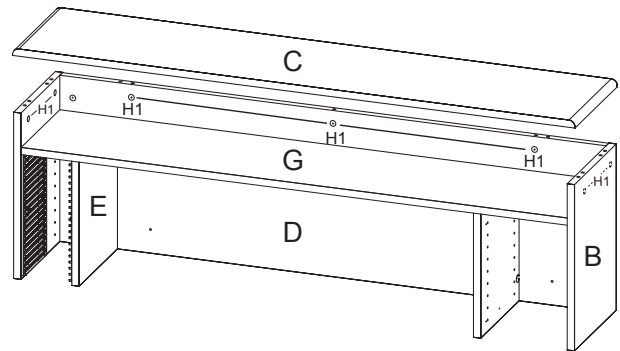
**#12**

Position Top (C) over unit. Turn the 7 Minifix Cams (H1) clockwise to secure top to the unit.

RIGHT CONFIGURATION

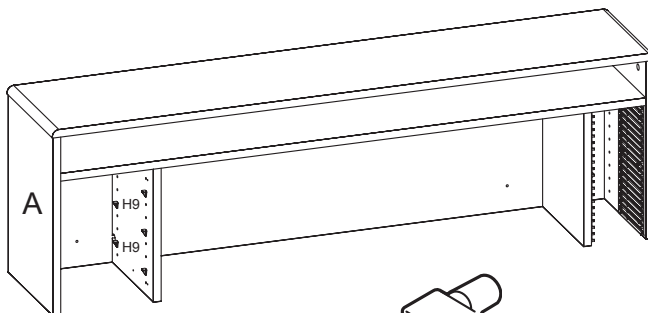


LEFT CONFIGURATION

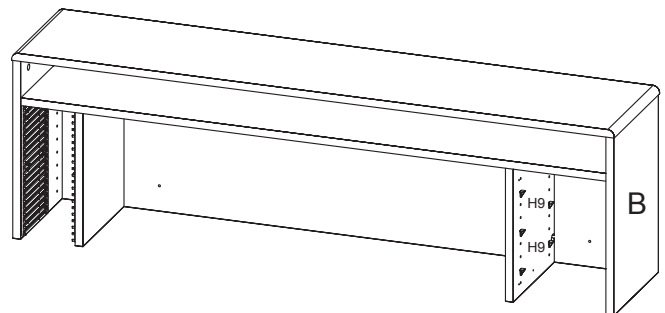
**#13**

Insert 12 Shelf Pins (H9) putting 6 on the Divider Panel (E or F) and 6 in matching holes on the Side Panel (A or B).

RIGHT CONFIGURATION



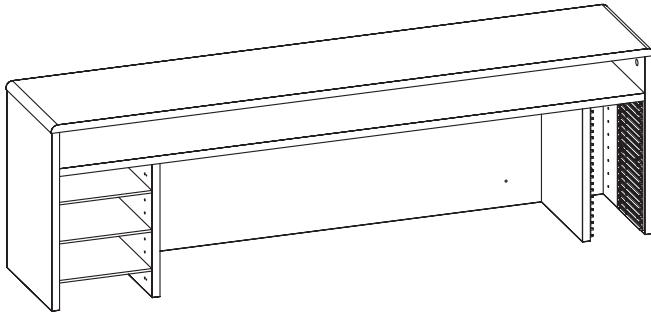
LEFT CONFIGURATION



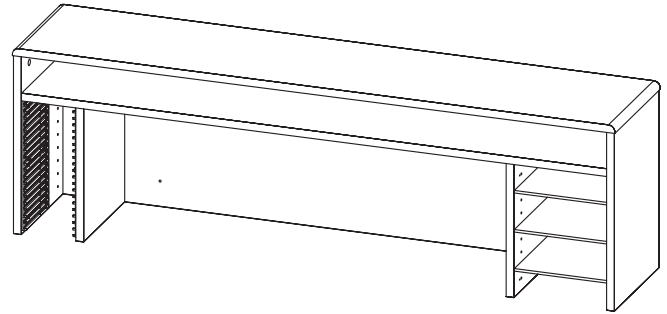
#14

Set the 3 Adjustable shelves (J) onto Shelf Pins (H9).

RIGHT CONFIGURATION

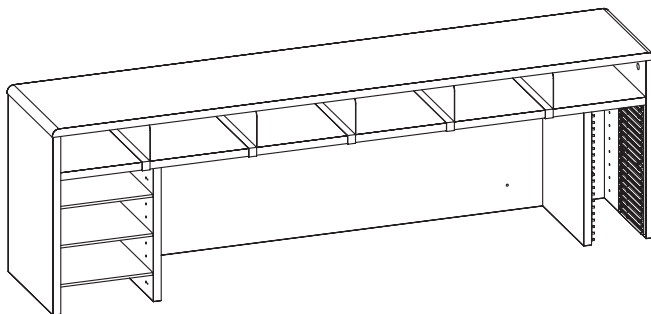


LEFT CONFIGURATION

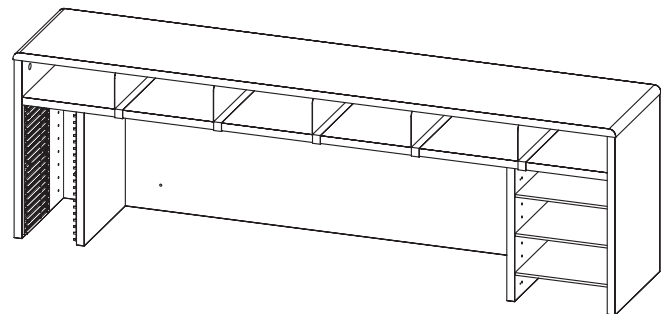


Press the 3 plastic Label Holder Moldings (H11) onto the front of each of the Adjustable Shelves (J).

RIGHT CONFIGURATION



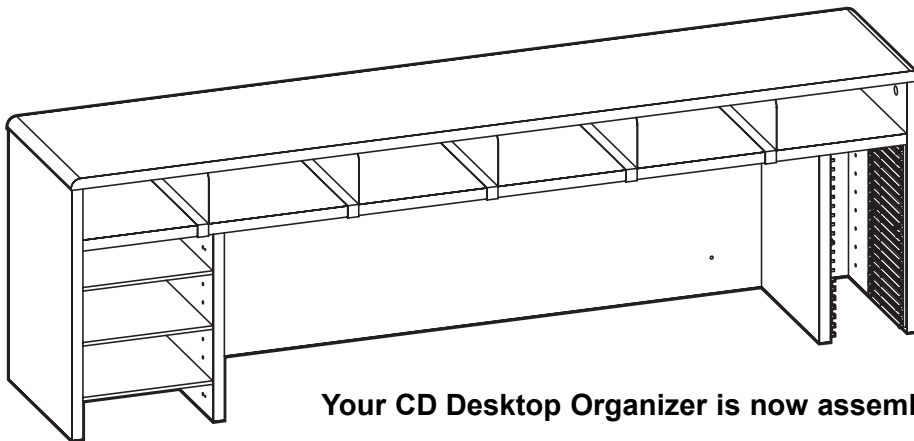
LEFT CONFIGURATION



H11

#15

Slide the 5 Metal Shelf Dividers (H10) onto the upper Shelf (G) positioning as desired.



Your CD Desktop Organizer is now assembled and ready to use.