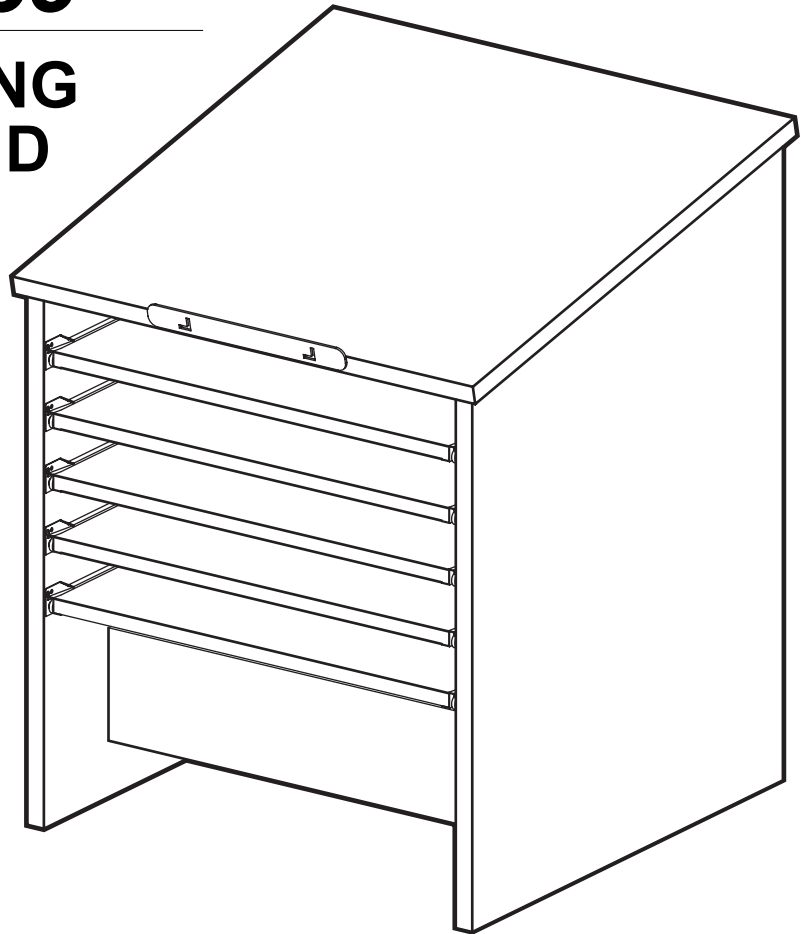




BY  IRONWOOD

LFAS 32/39

FREESTANDING ATLAS STAND



IMPORTANT!

Assembly may require the assistance of another person.

Before you begin assembly:

READ THE DIRECTIONS all the way through one time. This will speed up the process and help you understand the sequence of steps.

COUNT THE PARTS AND HARDWARE before assembly. This ensures you have received all necessary parts before you begin.

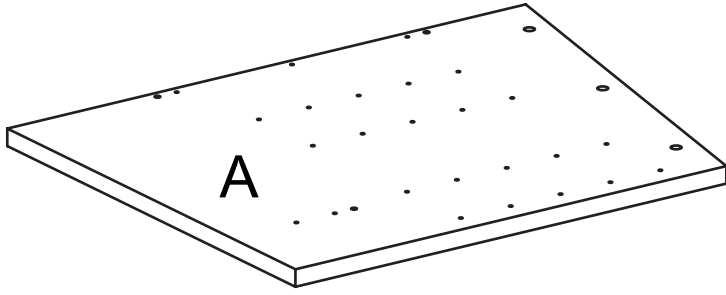
TOOLS: You may need a Phillips head screwdriver, a medium slotted screwdriver or a plastic mallet. To protect your new furniture from damage during assembly, it is recommended to work on a carpeted surface.

In the event any parts are missing from this package, send your name, address, telephone number, and a description of the missing part(s) to: PARTS, Box 1420, Missoula, MT 59806 or call: 1-800-769-5693 or FAX 1-800-445-5281.

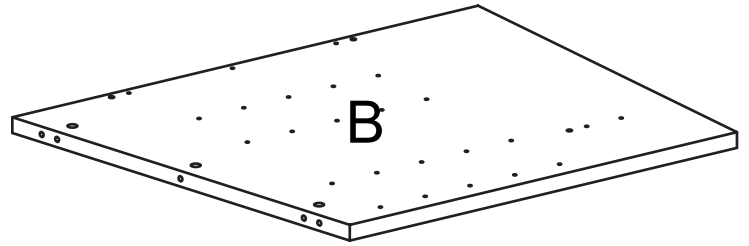
CAUTION: On assemblies requiring glue, make sure the unit is assembled correctly before gluing. Once this unit is assembled with glue, the manufacturer will not be responsible for damaged parts. Keep a damp cloth or sponge handy to wipe off excess glue.

To care for this furniture, simply wipe with a cloth dampened with glass cleaner containing ammonia-D.

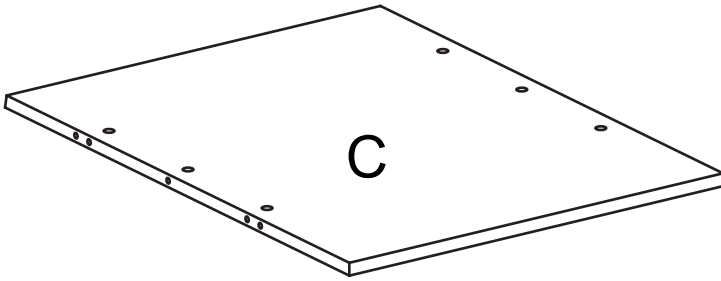
PARTS DIAGRAM



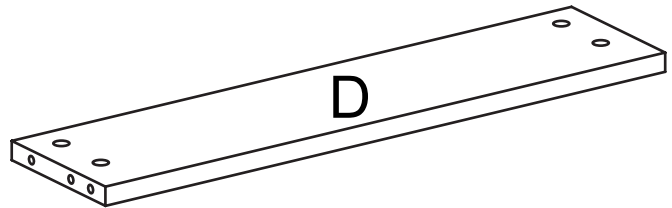
LFAS32	Right Panel	07010443	1 ea.
LFAS39	Right Panel	07010442	1 ea.



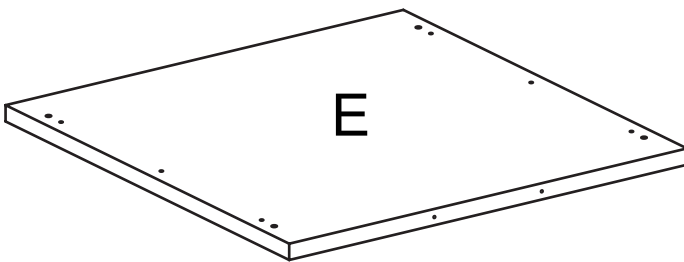
LFAS32	Left Panel	07010443	1 ea.
LFAS39	Left Panel	07010442	1 ea.



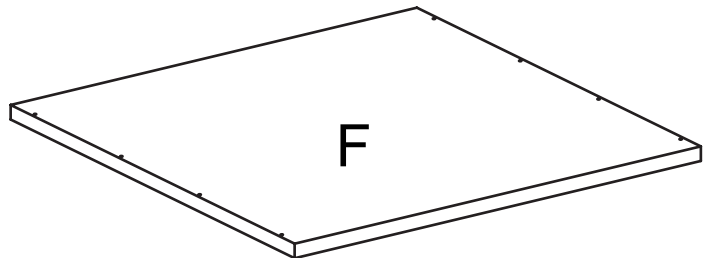
LFAS32	Back Panel	07010456	1 ea.
LFAS39	Back Panel	07010455	1 ea.



Front Spanner	07010480	1 ea.
------------------	----------	-------



Top Panel	07010401	1 ea.
-----------	----------	-------



Shelf Panel	07010428	5 ea.
-------------	----------	-------

HARDWARE



H3	Euro Slide	H0280	5 sets
----	------------	-------	--------



H7	Screw	901220	2 ea.
----	-------	--------	-------



H2	Minifix Cam	909810	16 ea.
----	-------------	--------	--------



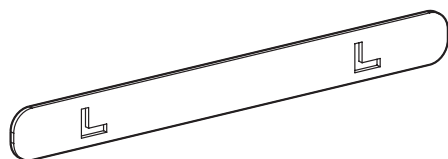
H5	Screw	901216	40 ea.
----	-------	--------	--------



H1	Minifix Bolt	909834	16 ea.
----	--------------	--------	--------



H4	Varianta Screw	988060	40 ea.
----	----------------	--------	--------



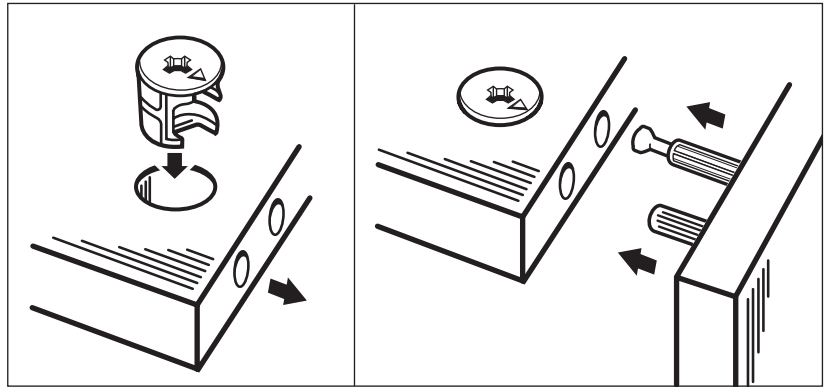
H6	Pencil Stop	H6931	1 ea.
----	-------------	-------	-------



H8	Wood Dowel	195001	10 ea.
----	------------	--------	--------

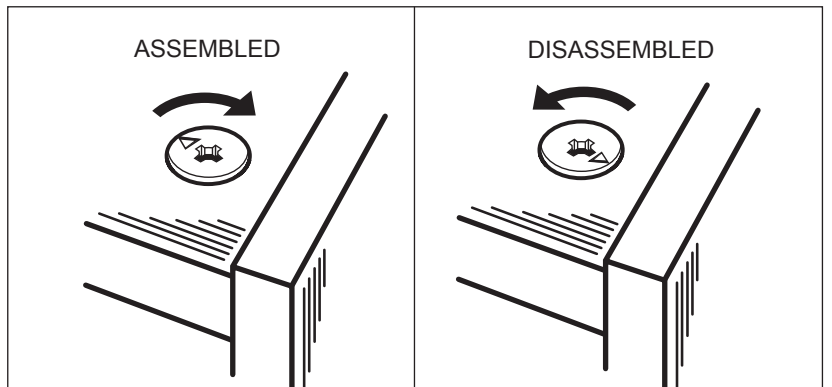
Using the Minifix System:

Insert the Minifix Cams into the appropriate holes with the arrow facing outwards as shown.



Using the #2 Phillips screwdriver, rotate the Cam Devices a half turn clockwise until snug.

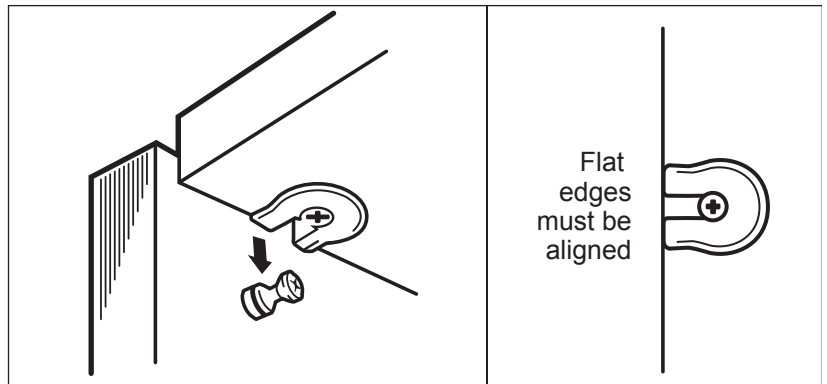
To disassemble, turn the Cam Devices counter-clockwise and remove panels.



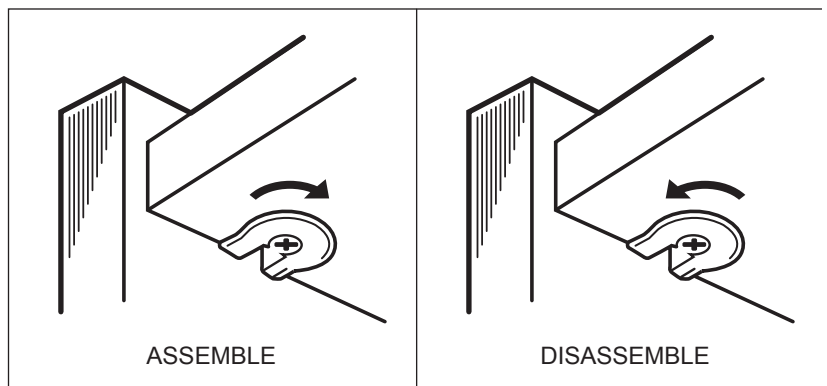
Using the Rafix System:

Insert the Rafix Cams into the appropriate holes. The flat edge of the cam should be facing the edge of the panel.

Slide Rafix Cams of the panel to be attached onto the corresponding posts.

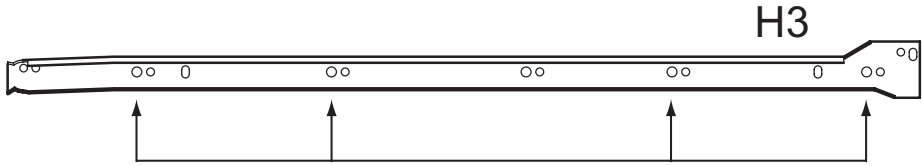


Using a #3 Phillips screwdriver, turn the rotating portion of the Rafix Cam a 1/2 turn clockwise to secure. **IMPORTANT! Do not exceed 1/2 turn when tightening cams.** Turn 1/2 turn counterclockwise to disassemble and remove panel.

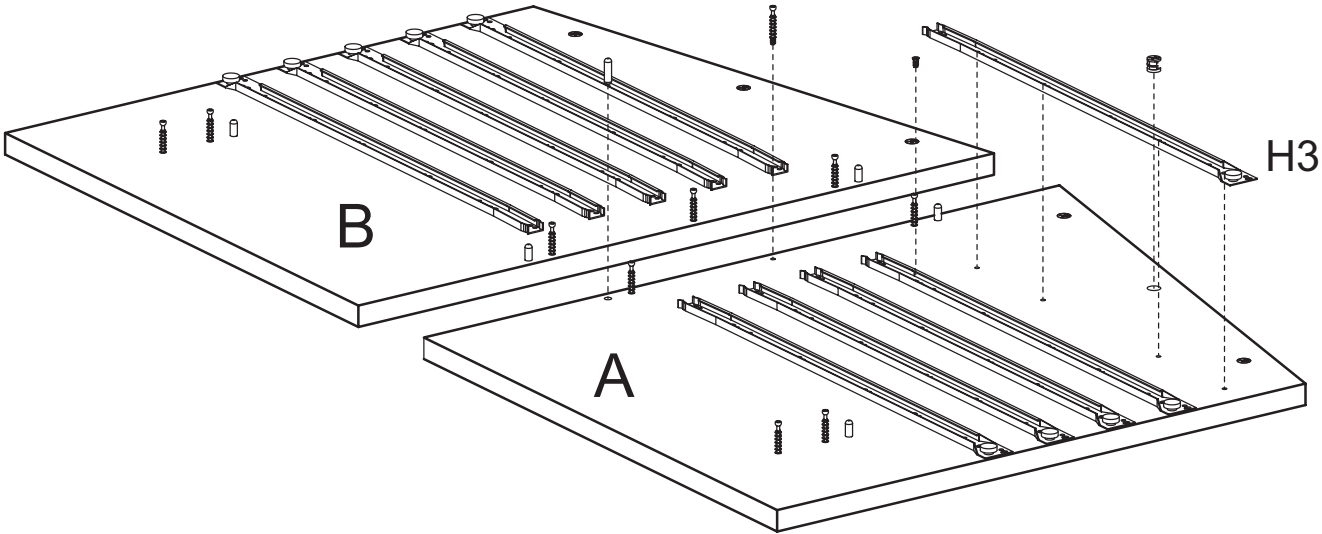


#1

Place Right Side (A) and Left Side (B) on a clean, carpeted surface with pre-drilled holes facing up. Insert 3 Minifix Cams (H2) along top edge in each of sides A & B being sure the arrows of Cams face out. Screw in 5 Minifix Bolts (H1) into each of sides (A & B). Push in 3 Wood Dowels (H8) into each of Sides(A & B). Line up 5 outside portions of Slide to each side (A & B) and screw in using 4 Varianta Screws per slide. (see inset for screw position)

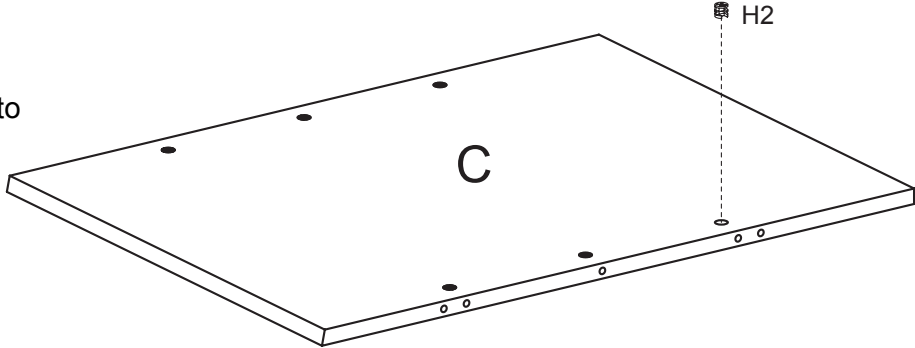


ARROWS INDICATE SCREW LOCATIONS



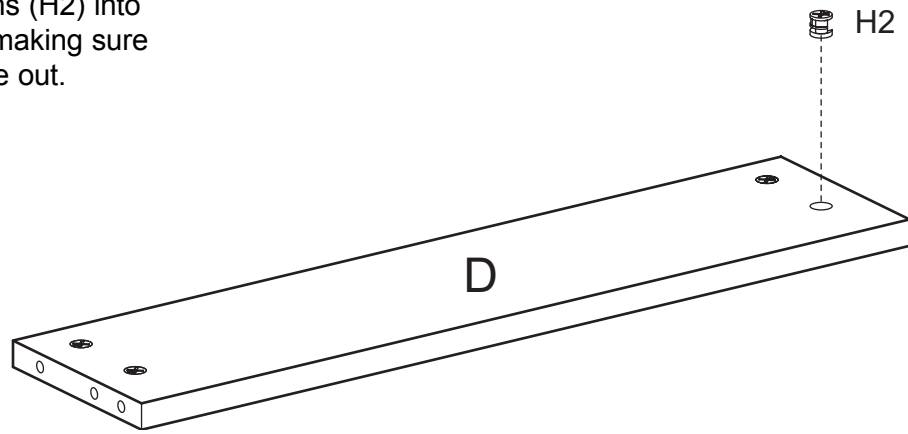
#2

Insert 6 Minifix cams (H2) into Back Panel (C) making sure arrow on Cam faces out.



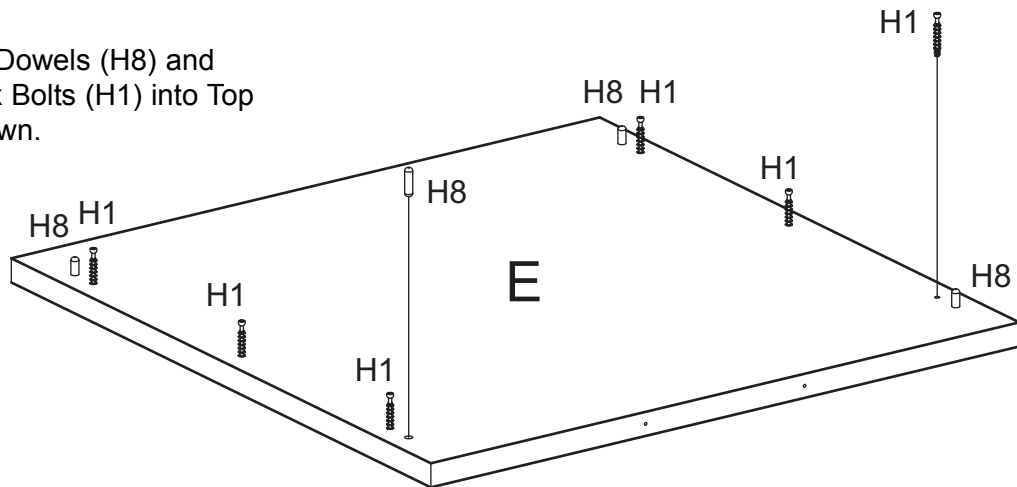
#3

Insert 4 Minifix Cams (H2) into Front Spanner (D) making sure arrows on Cam face out.



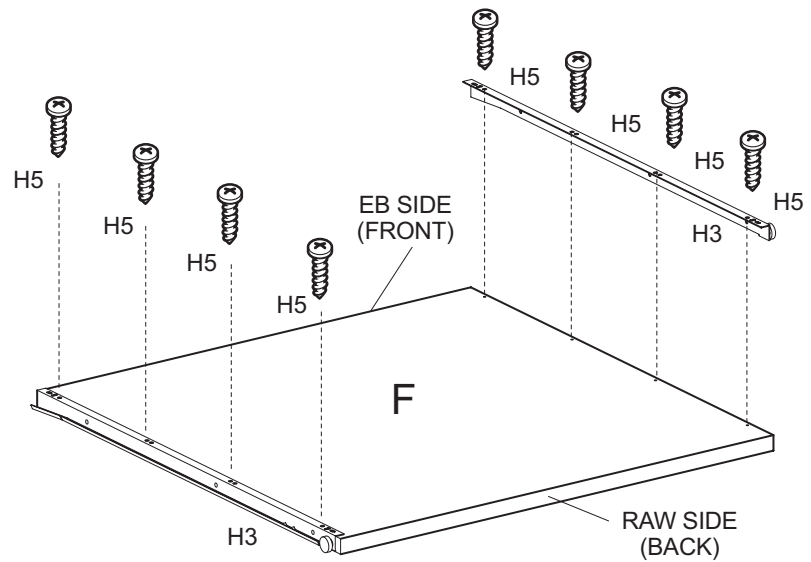
#4

Push in 4 Wood Dowels (H8) and screw in 6 Minifix Bolts (H1) into Top Panel (E) as shown.



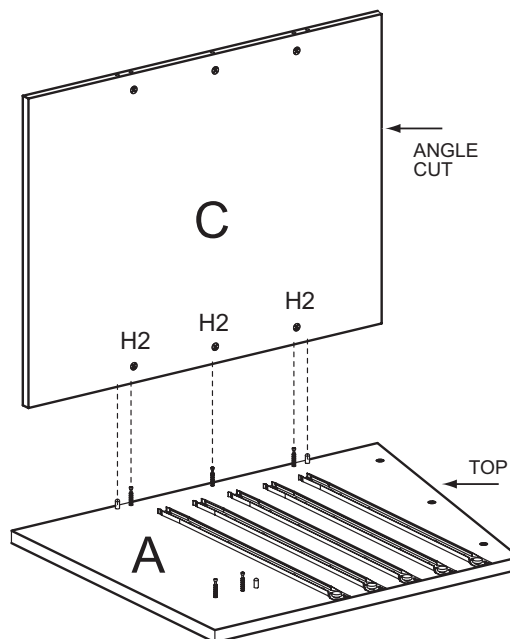
#5

Attach second half of slides (H3) to each side of the five Shelf Panels (F) using 4 Panhead Screws (H5) per slide as shown.



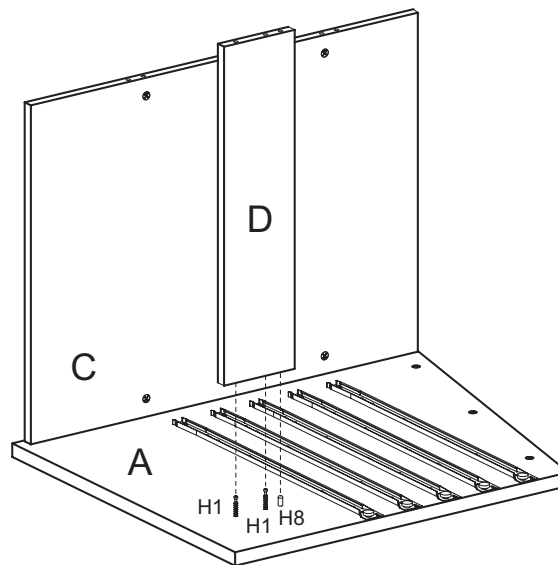
#6

With the aid of another person, position the Cams of the Back Panel (C) with the bolts and dowels of the Right Side Panel (A) as shown. Turn the arrows of the cams (H2) clockwise to secure.



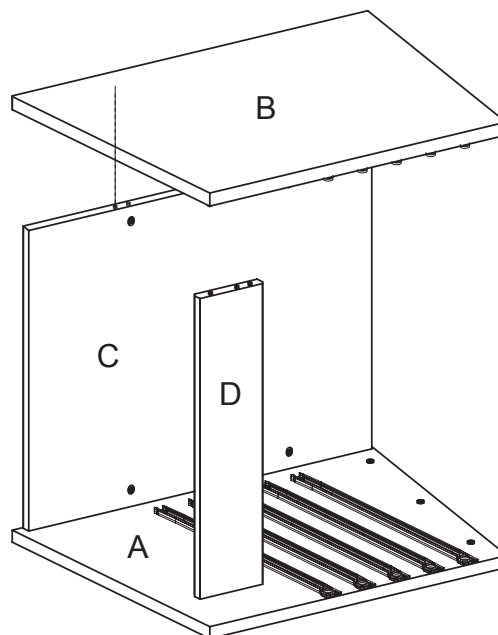
#7

Position the Cams of the Front Spanner (D) with the bolts and Dowels on the Right Side Panel (A) as shown. Turn the arrows of the Cams (H2) clockwise to secure.



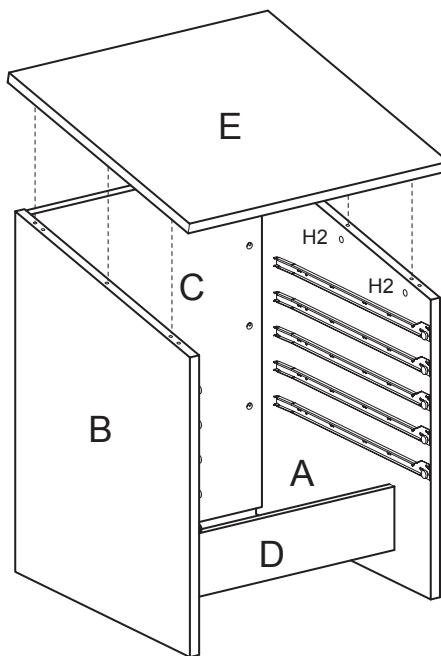
#8

With the aid of another person, position Left Side Panel (B) with the Cams in Back Panel (C) and Front Spanner (D) as shown. Turn Cams clockwise to secure.



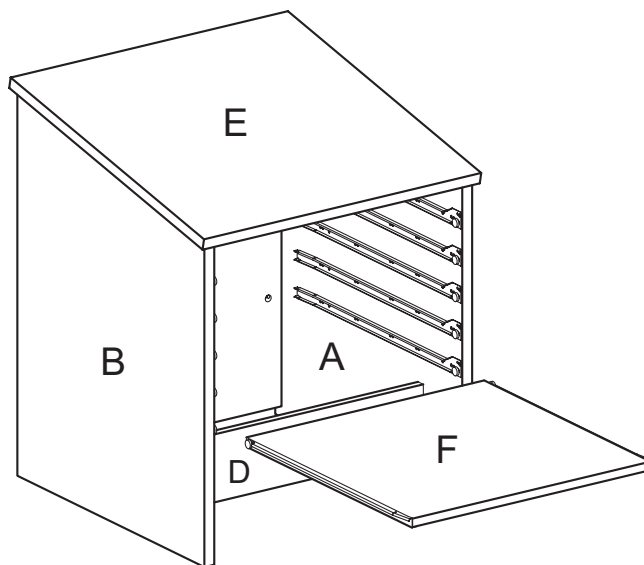
#9

With the aid of another person, stand unit upright. Position Top Panel (E) over unit lining up bolts with Cams. Secure Cams by turning clockwise



#10

Slide each of the 5 Shelf Panels (F) into the unit.



#11

Attach Pencil Stop (H6) to Top Panel (E) using 2 Panhead Screws (H7).

