



384-386

SUMMIT 3

**Elongated Front, SmartHeight™
Vitreous China Two-Piece Toilet**

FEATURES

- Featuring a High Volume 3" Flush Valve
- Elongated Front, 16-3/4" SmartHeight™ Bowl is Chair Height for Maximum Comfort (ADA Compliant)
- 1.6 Gpf / 6.0 Lpf
- Wide 2-1/8" Glazed Trapway
- Large Water Surface
- High Performance MagnaFlush II™ Flushing Technology
- Available in White, Standard and Designer Colors (Consult Price Book for Specific Colors)
- Model 55 Front-Mount Chrome Plated, Metal Trip Lever (Consult Price Book for Additional Finishes)
- Upgrade with a Color-Match SmartClose™ or Primo™ Toilet Seat
- Outstanding Protection – The Mansfield® Limited Lifetime Warranty



Model 384-386
Shown with SB1175
SmartClose™ Toilet Seat

Model No.	Description	Approx. Wt.
384-386	Elongated front (1.6 Gpf/6.0 Lpf) SmartHeight™ two-piece toilet. Features 3" flush valve and 2-1/8" trapway. Includes tank trim and front-mount chrome plated, metal trip lever. Less toilet seat and supply. Specify color	89 lbs. (42 kg)
384	Elongated front SmartHeight™ toilet bowl only. 12" rough-in. Less toilet seat. Specify color.	55 lbs. (25 kg)
386	Tank and cover only with left hand, front-mount chrome plated, metal trip lever. Less supply. Specify color.	34 lbs. (15 kg)
SB1175	Elongated, SmartClose™ toilet seat.	5.5 lbs. (2 kg)
SB1200	Elongated, Primo™ toilet seat.	5.5 lbs. (2 kg)



MagnaFlush II™

High Performance
Flushing Technology

SmartHeight™



384-386

SUMMIT 3

Elongated Front, SmartHeight™ Vitreous China Two-Piece Toilet

FEATURES & UPGRADES

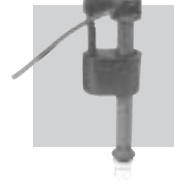
MagnaFlush II™ Flushing Technology

Featuring an extra-large 3" flush valve, a pilot operated fill valve and our glazed 2-1/8" trapway. MagnaFlush II™ flushing technology offers a fast and powerful flush – every time. Ideal for residential and commercial use, MagnaFlush II™ – Performance Without Compromise.



M400-1212 Anti-Siphon Fill Valve

The M400 fill valve operates efficiently at low or high water pressure. Featuring a patented flow regulator and debris filter and positive shut-off for added functionality. Easily adjustable to retain optimum water level.



206-1212 Flush Valve

Our newest 3" flush valve features a high volume flow rate for a quick and quiet flush action. Designed for maximum performance, it offers more than twice the potential flow rate of a conventional two-inch flush valve. Non-corrosive and durable, it will provide years of dependable use.



Add a Toilet Seat

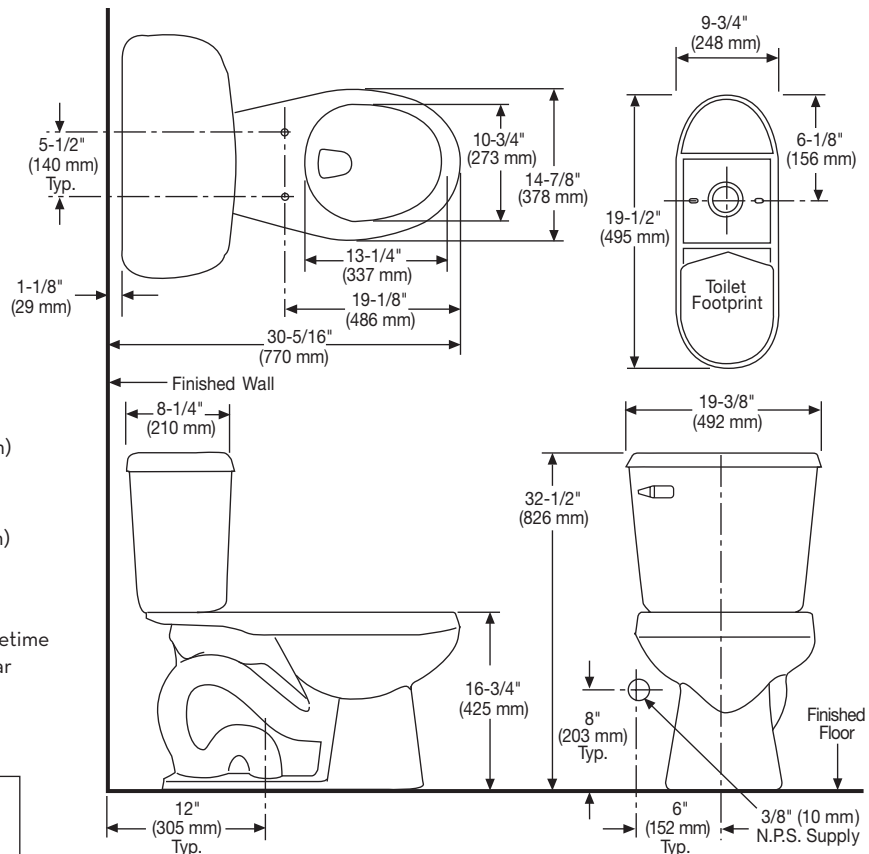
With a simple touch, Mansfield's newest SmartClose™ toilet seat closes gently and quietly. Or upgrade your toilet with a popular Primo™ toilet seat. Made of durable, high impact, heavy-duty plastic. For all applications – Get More, Get Mansfield®.



TECHNICAL INFORMATION

Specifications

Material	Vitreous China
Water Pressure Range	15 to 125 P.S.I.
Flush System	MagnaFlush II™ Flushing Technology
Water Usage	1.6 Gpf / 6.0 Lpf
Water Surface Area	10" x 8"
Trap Diameter	2-1/8"
Trap Seal	2-1/2"
Rough-In	12"
Shipping Dimensions	Model 384 27-1/2" x 15-1/2" x 17-1/4" (699 mm x 394 mm x 438 mm) Model 386 19-1/2" x 9-7/8" x 15-3/4" (495 mm x 251 mm x 400 mm)
Shipping Weight	Model 384 – 59 lbs (27 kg) Model 386 – 36 lbs (16 kg)
Warranty	Vitreous China – Limited Lifetime Tank Trim – Limited One Year



These dimensions are nominal and are subject to change without prior notice.

Fixture performance and specifications meet or exceed, ANSI/ASME A112.19.2 and CAN/CSA B45 standards, and other state and local codes.

NOTE: Install this product according to the installation guide.

Fixture dimensions are nominal and conform to tolerances in ASME Standard A112.19.2

See our complete line of acrylic and vitreous china bathroom and kitchen fixtures, plastic tank trim and plumbing products.



performance for a lifetime™

Mansfield Plumbing Products LLC • Customer Service Toll Free 877-850-3060 • Fax 419-938-6234
Website: www.mansfieldplumbing.com • Email: custserv@mansfieldplumbing.com

Form No. M384386 Printed in U.S.A. 2/07
© 2007 Mansfield Plumbing Products LLC