



# PRO-FIT™ 1 COMPLETE TOILET PACKAGE

Round Front, Two-Piece  
Toilet Package



Shown in White

## FEATURES

- Complete Toilet Package
- 1.6 Gpf / 6.0 Lpf
- Glazed Trapway
- Large 8-3/16" x 9-1/8" Water Surface
- Superior Boxed Rim, Siphon Jet SmartFlush™ Flushing Technology
- Available in White and Bone
- Outstanding Protection – The Mansfield® Limited Five Year Warranty



Model No.	Description	Approx. Wt.
PRO-FIT™ 1	Round front (1.6 Gpf/6.0 Lpf) two-piece toilet with parts – Includes: toilet seat and parts, wax toilet bowl gasket with polyethylene flange, floor bolts, caps, clips and a multi-lingual installation instruction sheet. Water supply hardware not included. 12" rough-in. Specify color.	75 lbs. (34 kg)

# PRO-FIT™ 1 COMPLETE TOILET PACKAGE

Round Front, Two-Piece Toilet Package

## FEATURES & UPGRADES

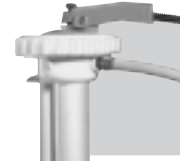
### Three-Point Cushioned Tank-To Bowl Connection

This assures perfect tank alignment in every direction. It permits fast, accurate, leakproof tank-to-bowl connections. Protects against tank breakage... can't be rocked loose... saves installation time. Furnished with brass nuts and bolts



### 88 Anti-Siphon Ballcock

The 88 anti-siphon ballcock affords efficient toilet tank operation at high or low pressures. Adjustment screw allows water level adjustment without bending the float rod. Completely non-electrolytic and non-corrosive.



### 211 Flush Valve

The 211 flush valve provides 1.6 Gpf / 6.0 Lpf water conservation efficiency with non-corrosive, long-life dependability. It seals tight every time. Won't rust or corrode.



### Add a Toilet Seat

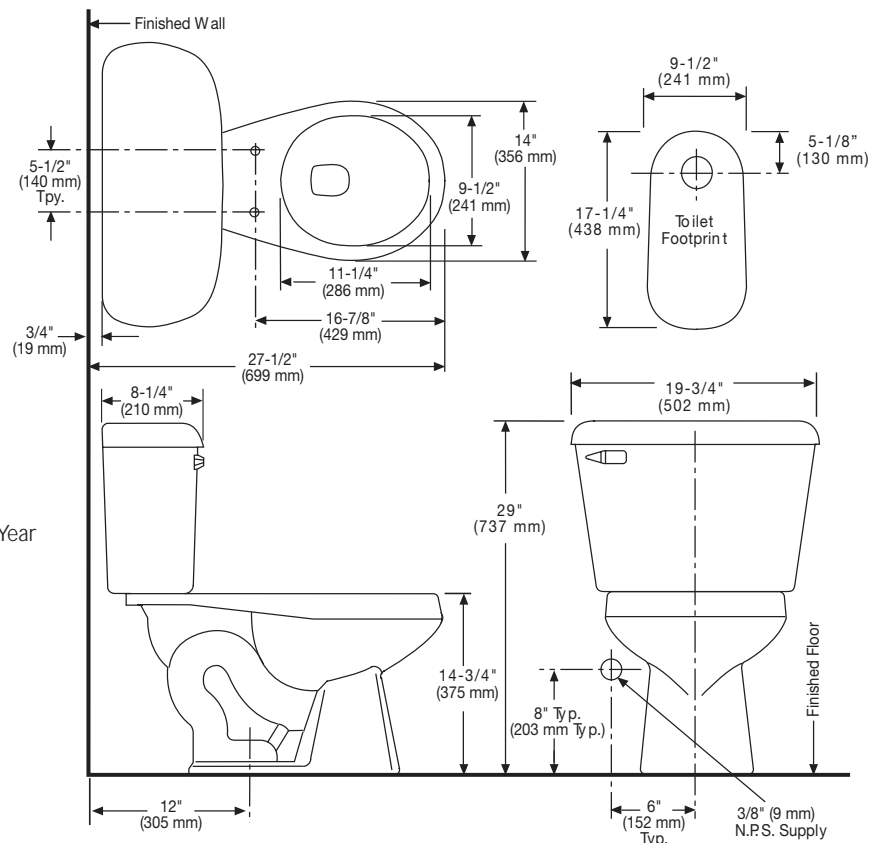
With a simple touch, Mansfield's newest SmartClose™ toilet seat closes gently and quietly. Or upgrade your toilet with a popular Primo™ toilet seat. Made of durable, high impact, heavy-duty plastic. For all applications – Get More, Get Mansfield®.



## TECHNICAL INFORMATION

### Specifications

Material	Vitreous China
Water Pressure Range	15 to 125 P.S.I.
Flush System	SmartFlush™ Flushing Technology
Water Usage	1.6 Gpf / 6.0 Lpf
Water Surface Area	8-3/16" x 9-1/8"
Trap Diameter	1-7/8"
Trap Seal	2-5/8"
Rough-In	12"
Shipping Dimensions	Pro-Fit™ 1 25-3/8" x 16-1/4" x 26-3/4" (645 mm x 413 mm x 679 mm)
Shipping Weight	Pro-Fit™ 1 85.3 lbs (38.4 kg)
Warranty	Vitreous China – Limited Five Year Tank Trim – Limited One Year



These dimensions are nominal and are subject to change without prior notice.

Fixture performance and specifications meet or exceed, ANSI/ASME A112.19.2M, A112.19.6 and CAN/CSA B45 standards, and other state and local codes.

NOTE: Install this product according to the installation guide.  
Fixture dimensions are nominal and conform to tolerances in ASME Standard A112.19.2

See our complete line of acrylic and vitreous china bathroom and kitchen fixtures, brass fittings, plastic tank trim and plumbing products.

**Mansfield**  
performance for a lifetime™

Mansfield Plumbing Products LLC • Customer Service Toll Free 877-850-3060 • Fax 419-938-6234  
Website: [www.mansfieldplumbing.com](http://www.mansfieldplumbing.com) • Email: [custserv@mansfieldplumbing.com](mailto:custserv@mansfieldplumbing.com)

Form No. PROFIT1 Printed in U.S.A. 6/06  
© 2006 Mansfield Plumbing Products LLC